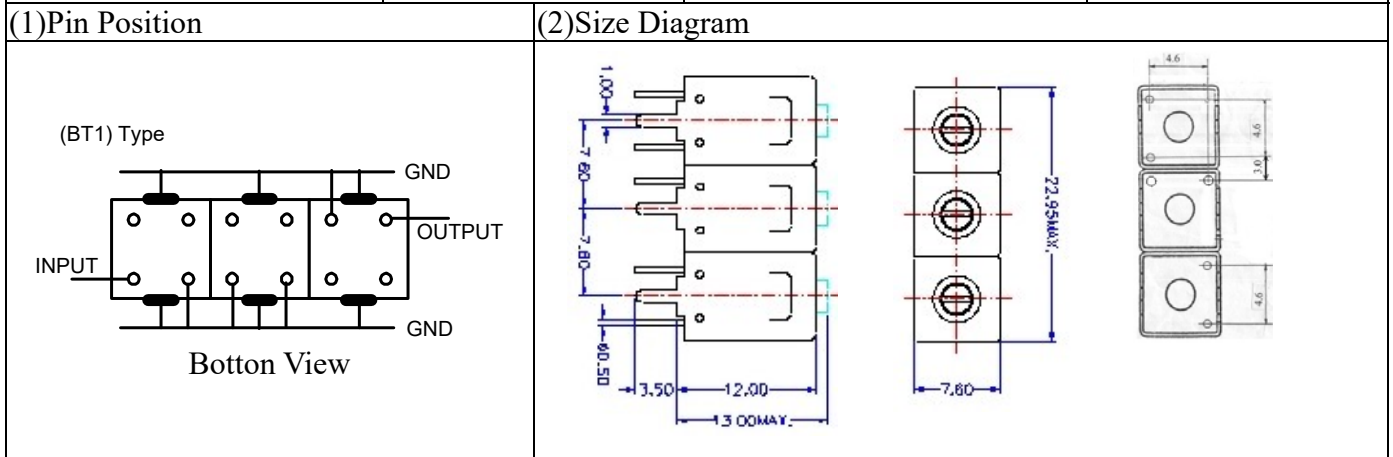


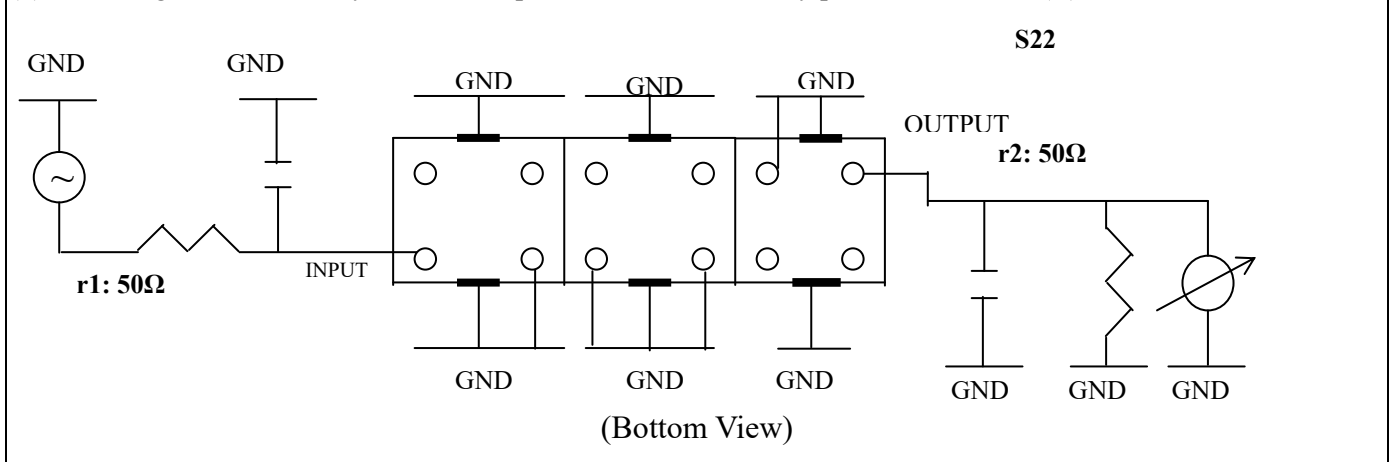
VHF UHF Helical Filter Specification Sheet

Customer Name		Temwell's Part No.	TT63406BT1-795M
Approval No. /dated		Temwell's Print Name	63406BT1 795M
Work Instruction No.	201906030C	Date	Jul.18.2019



(3) Electric Chararistic		Item	Specify
Center Freq.(Fo) +/- 0.5 %			795 MHz
Insertion Loss		Typ.	4.0 dB
-3 dB Bandwidth		Typ.	40 MHz
Sensitivity (Attenuation)	Fo - 100 MHz	Typ.	15 dB
	Fo + 100 MHz	Typ.	25 dB
	Fo - ()MHz	Typ.	dB
	Fo +()MHz	Typ.	dB
Return Loss		Min.	12 dB
Ripple			< 1 dB
Impedance			In / Out : 50 Ω
(4) Torque for Tuning Screw			> 60gf · cm
(5) Temperature Condition:			
Operating Temperature			0°C ~ +60°C
Storage Temperature			-20°C ~ +70°C
(6) Input Power			> 1 Watt

(7) Measuring Circuit: ※Easy to match Impedance S11/S22 50Ω by parallel with about(--).



Approval	Supervisor	Designer	Aperture size
C.Y.Chang	C.K.Chang	F.L.Lai	7H3S-4*5.5(5.63) 7H046RB5.5

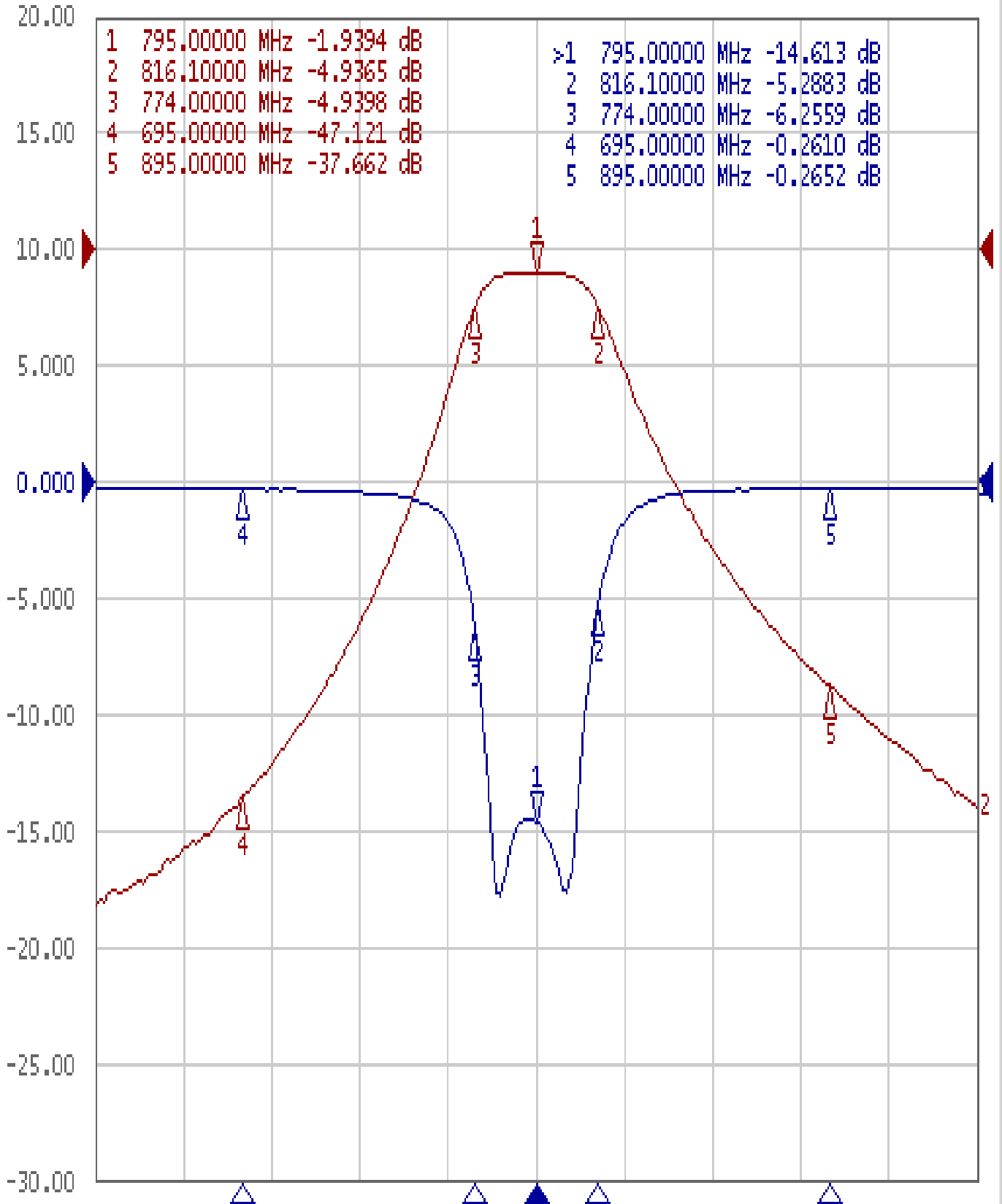
TEMWELL CORPORATION

Performance-TT63406BT1-795M

201906030C

▶ Tr1 S11 Log Mag 5.000dB/ Ref 0.000dB [F2]

Tr2 S21 Log Mag 10.00dB/ Ref 0.000dB [F2]



1 Center 795 MHz

IFBW 70 kHz

Span 300 MHz Cor !