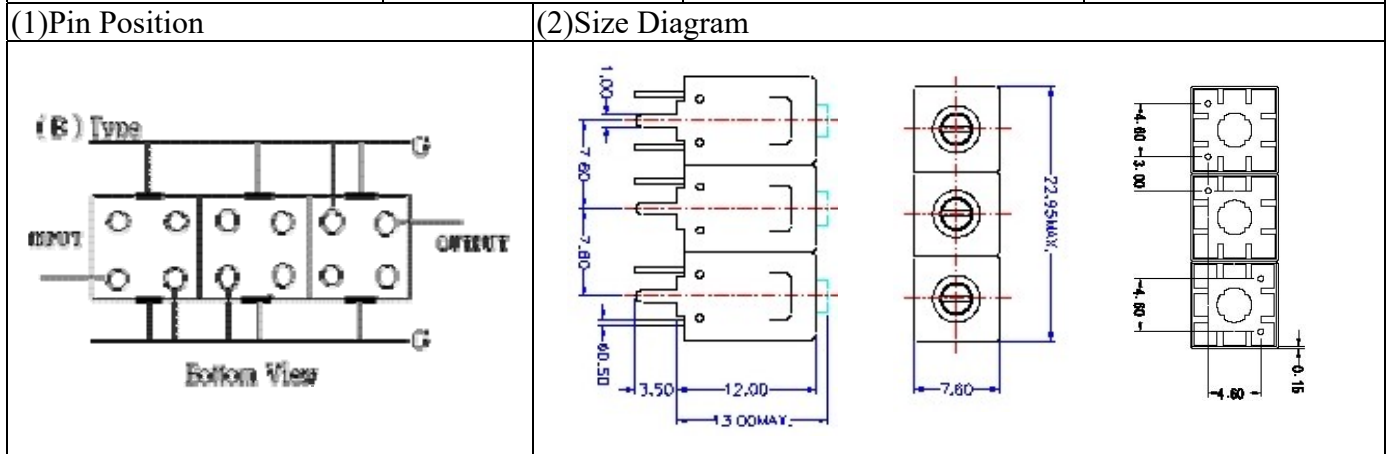
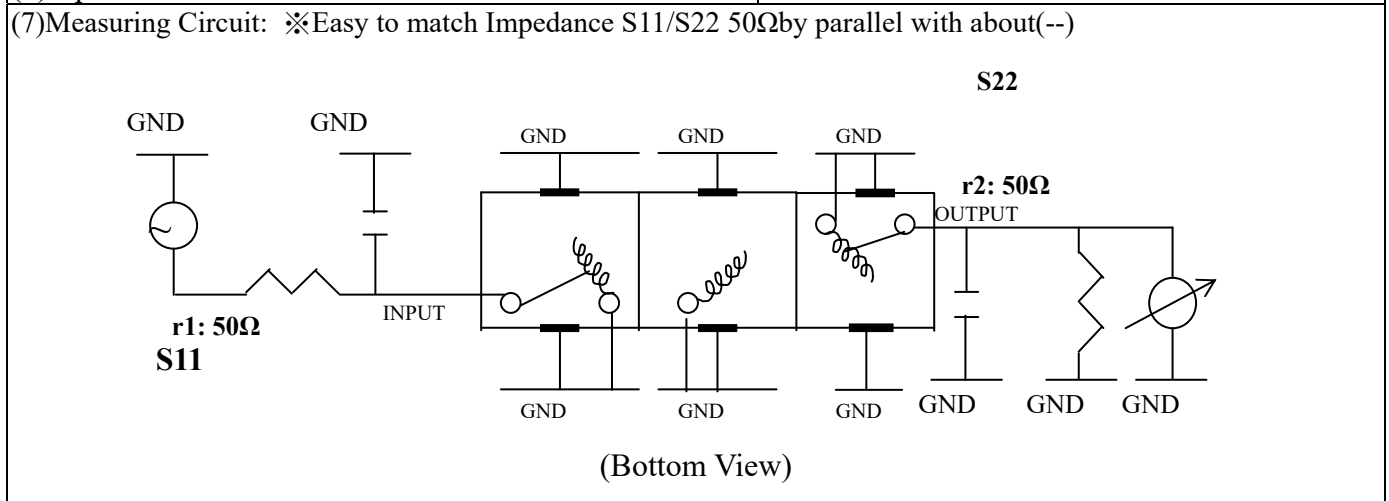


VHF UHF Helical Filter Specification Sheet

Customer Name		Temwell's Part No.	TT63529B-42.5M
Approval No. /dated		Temwell's Print name.	63529B 42.5M
Work Instruction No.	201505124B	Date	Jun.03.2015



(3) Electric Charasteric		Item	Specify	
		Center Freq.(Fo) +/- 0.5 %	42.5	MHz
		Insertion Loss	Typ. 3.0	dB
		-3 dB Bandwidth	Typ. 9	MHz
Sensitivity (Attenuation)	Fo - (24) MHz	Typ. 40	dB	
	Fo +(24) MHz	Typ. 50	dB	
	Fo - () MHz	Typ.	dB	
	Fo + () MHz	Typ.	dB	
		Return Loss	Min. 12	dB
		Ripple	< 1	dB
		Impedance	In / Out : 50 Ω	
(4) Torque for Tuning Screw			> 60gf • cm	
(5) Temperature Condition:				
Operating Temperature			0°C ~ +60°C	
Storage Temperature			-20°C ~ +70°C	
(6) Input Power			> 1 Watt	

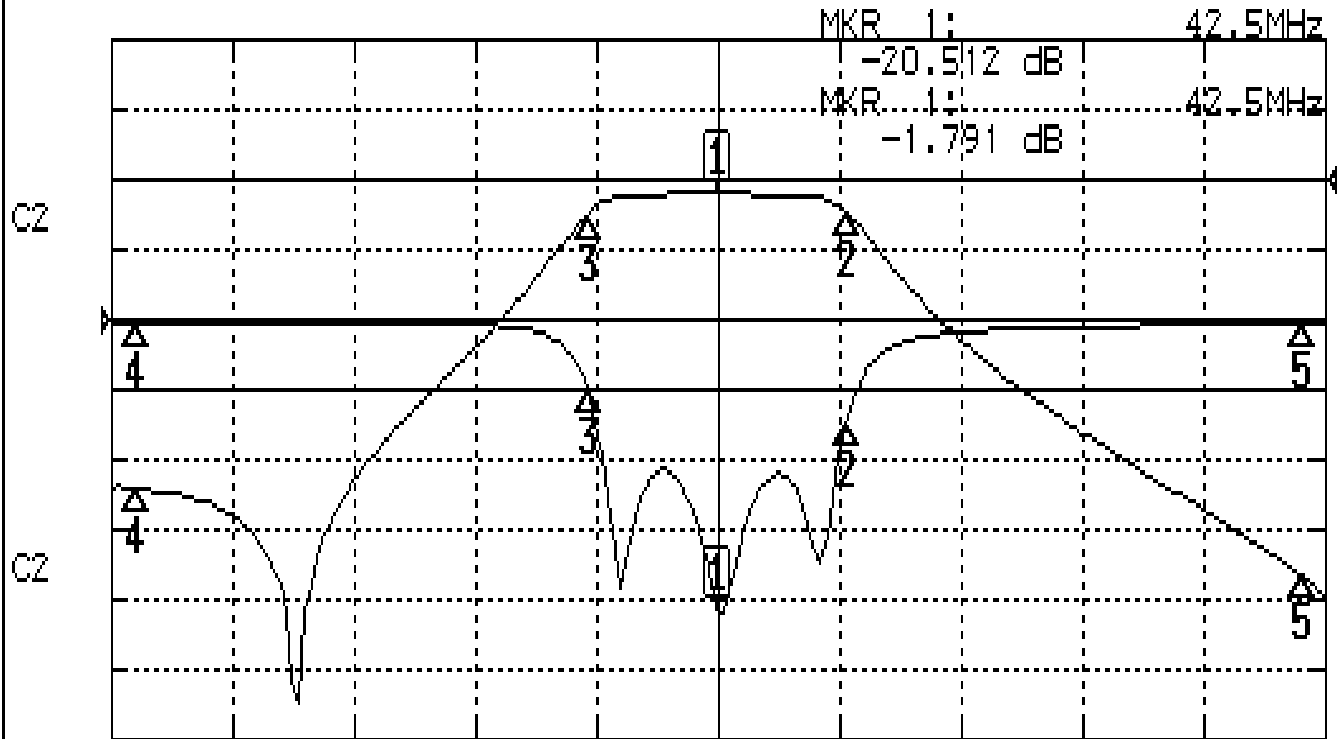


Approval C.Y.Chang	Supervisor C.K.Chang	Designer C.H.Yeh	Aperture size 7H3S(4*7.5)(7.57) 7H00LB6.5
TEMWELL CORPORATION			

Performance-TT63529B-42.5M

201505124B

CH1 S11 LOG MAG REF 0.000 dB 5.000 dB/
CH2 S21 LOG MAG REF 0.000 dB 10.000 dB/



CENTER 42.5MHz

[10.00 dBm]

SPAN 50MHz

CH1 MARKER LIST

1	42.500MHz	-20.512 dB
2	47.833MHz	-7.193 dB
3	37.166MHz	-5.070 dB
4	18.500MHz	-0.387 dB
5	66.500MHz	-0.319 dB

CH2 MARKER LIST

1	42.500MHz	-1.791 dB
2	47.833MHz	-4.746 dB
3	37.166MHz	-4.784 dB
4	18.500MHz	-44.114 dB
5	66.500MHz	-56.554 dB