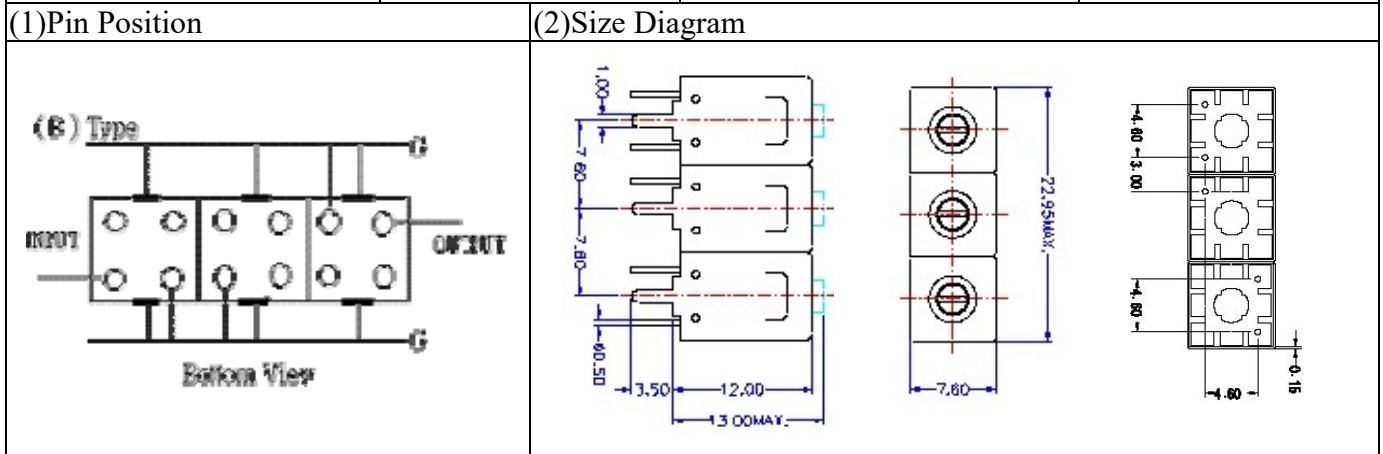
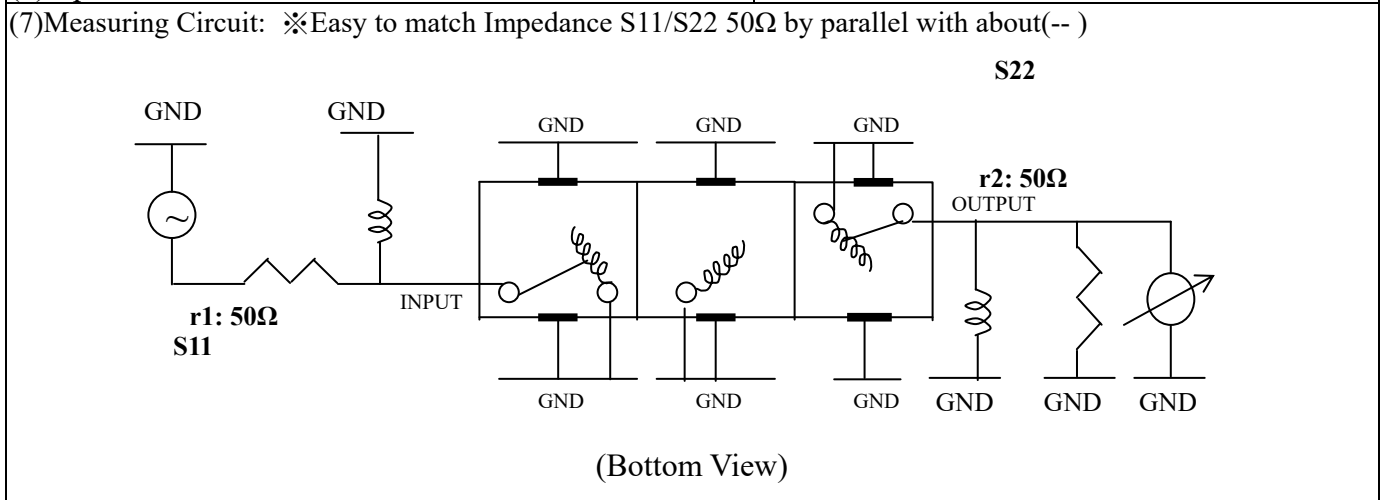


VHF UHF Helical Filter Specification Sheet

Customer Name		Temwell's Part No.	TT63530B-68M
Approval No. /dated		Temwell's Print name	63530B 68M
Work Instruction No.	201502031CD	Date	Feb.25.2015



(3) Electric Chararctic		Item	Specify
Center Freq.(Fo) +/- 0.5 %			68 MHz
Insertion Loss		Typ.	2.0 dB
-3 dB Bandwidth		Typ.	9 MHz
Sensitivity (Attenuation)	Fo - 24 MHz	Typ.	50 dB
	Fo + 24 MHz	Typ.	40 dB
	Fo - ()MHz	Typ.	dBc
	Fo +()MHz	Typ.	dBc
Return Loss		Min.	12 dB
Ripple			< 1 dB
Impedance			In / Out : 50 Ω
(4) Torque for Tuning Screw			> 60gf · cm
(5) Temperature Condition:			
Operating Temperature			0°C ~ +60°C
Storage Temperature			-20°C ~ +70°C
(6) Input Power			> 1Watt



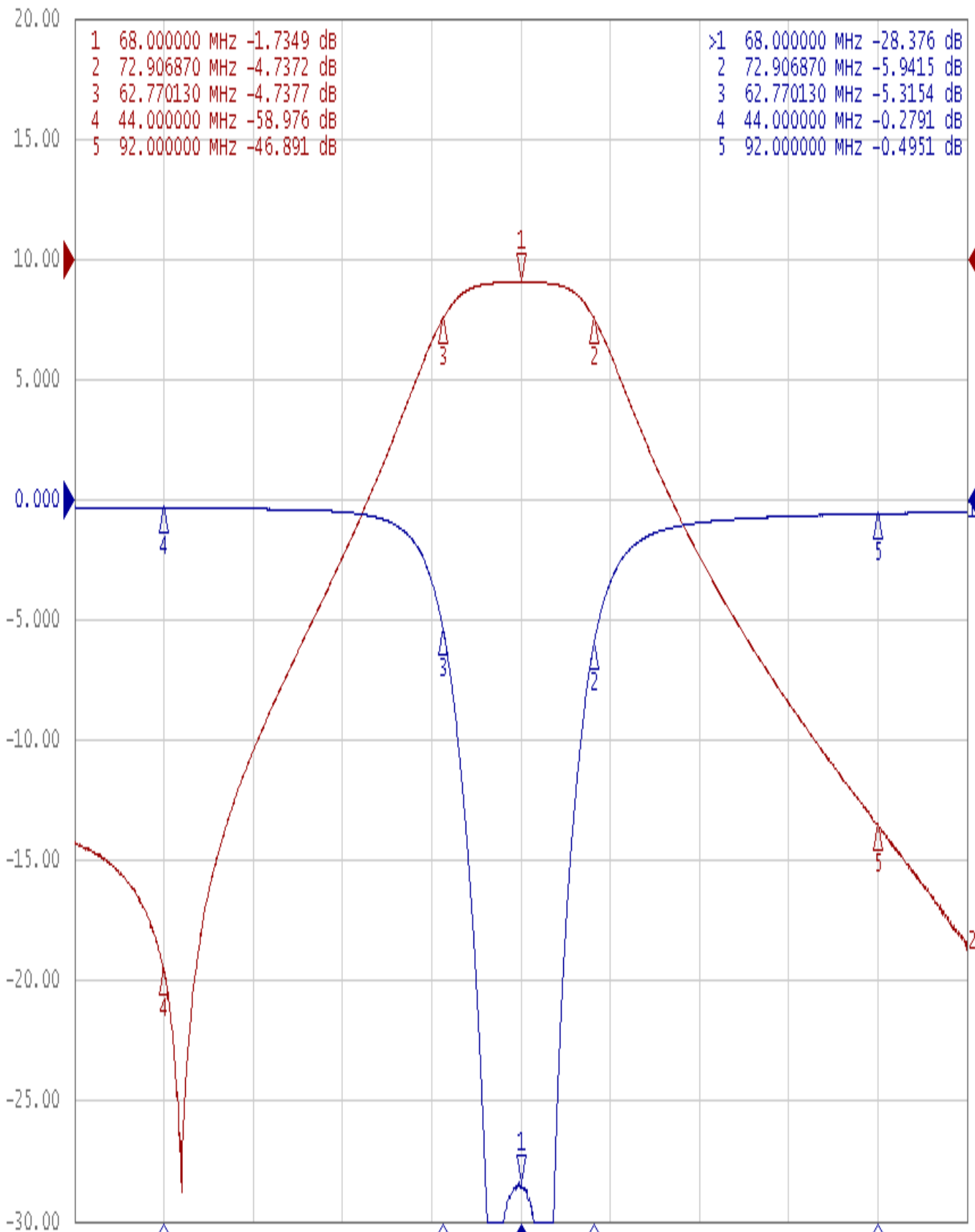
Approval	Supervisor	Designer	Aperture size
C.Y.Chang	C.K.Chang	C.S.Chang	7H3S(4*6.8)(6.84) 7H00LB6

TEMWELL CORPORATION

Performance-TT63530B-68M

201502031CD

Tr1 S11 Log Mag 5.000dB/ Ref 0.000dB [F2]
Tr2 S21 Log Mag 10.000dB/ Ref 0.000dB [F2]



1 Center 68 MHz

IFBW 10 kHz

Span 60 MHz Cor !