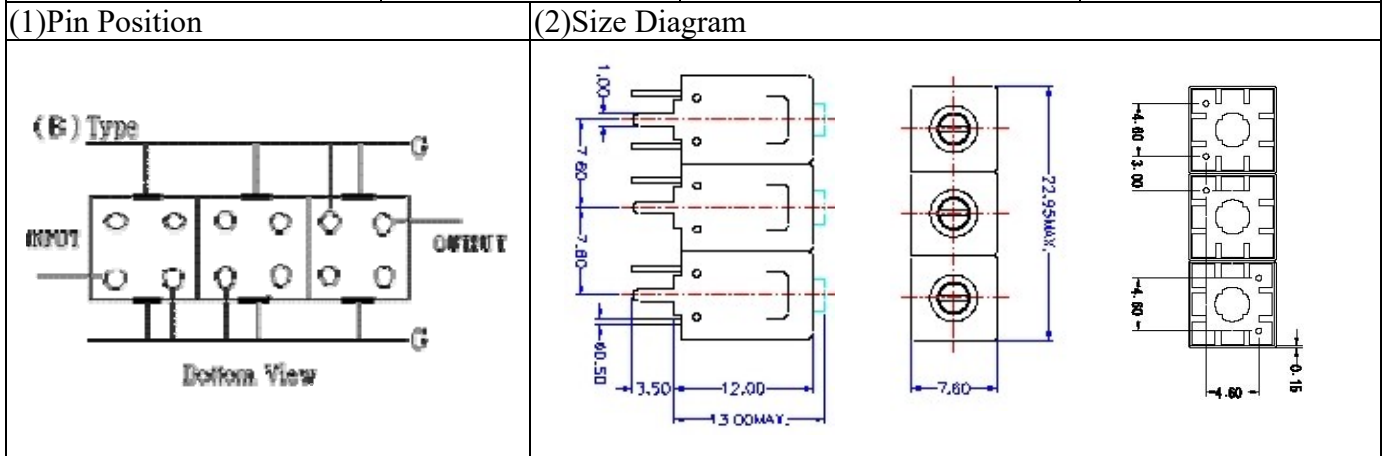


# VHF UHF Helical Filter Specification Sheet

Customer Name		Temwell's Part No.	TT6392B-191.5M
Approval No. /dated		Temwell's Print name.	6392B 191.5M
Work Instruction No.	201907047C	Date	Jul.24.2019



### (3) Electric Characteristic

Item	Specify
Center Freq.(Fo) +/- 0.5 %	191.5 MHz
Insertion Loss	Typ. 2.0 dB
-3 dB Bandwidth	Typ. 53 MHz
Sensitivity (Attenuation)	Fo - 100 MHz Typ. 43 dBc
	Fo + 100 MHz Typ. 32 dBc
	Fo - ( ) MHz Typ. dBc
	Fo + ( ) MHz Typ. dBc
Return Loss	Min. 12 dB
Ripple	< 1 dB
Impedance	In / Out : 50 Ω

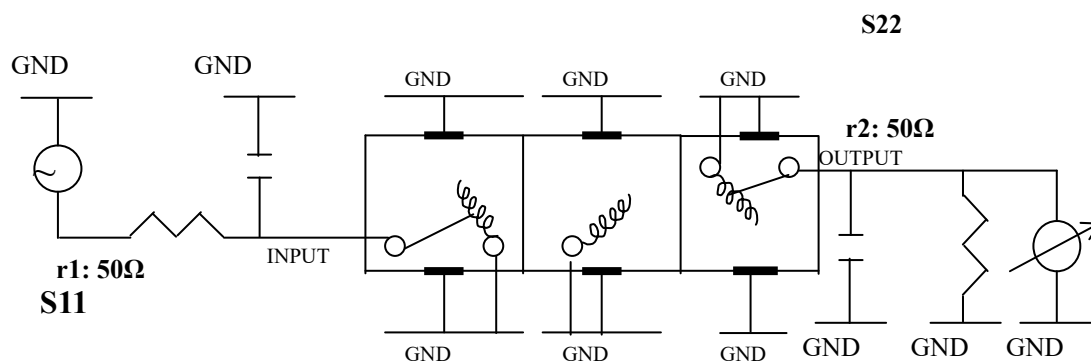
(4) Torque for Tuning Screw > 60gf · cm

### (5) Temperature Condition:

Operating Temperature	-30°C ~ +70°C
Storage Temperature	-30°C ~ +80°C

(6) Input Power > 1Watt

(7) Measuring Circuit: ※Easy to match Impedance S11/S22 50Ω by parallel with about(---)



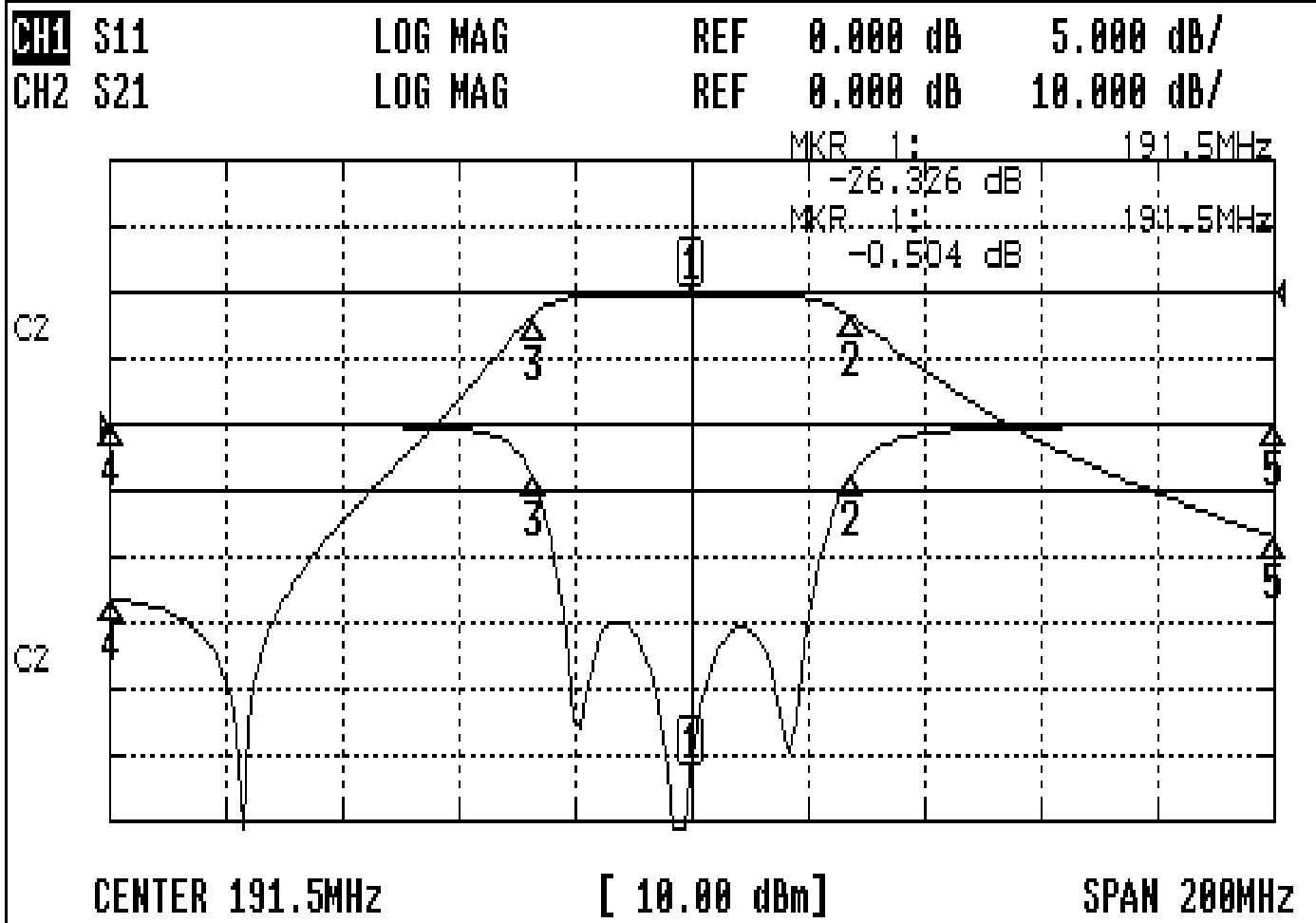
(Bottom View)

Approval C.Y.Chang	Supervisor C.K.Chang	Designer P.H.Chiang	Aperture size 7H3S(4*8.0)(8.02) 7H046LB6.6
-----------------------	-------------------------	------------------------	--

TEMWELL CORPORATION

# Performance-TT6392B-191.5M

201907047C



## CH1 MARKER LIST

1:	191.500MHz	-26.326 dB
2:	219.000MHz	-3.8884 dB
3:	164.230MHz	-3.8879 dB
4:	91.500MHz	-0.081 dB
5:	291.500MHz	-0.051 dB

## CH2 MARKER LIST

1:	191.500MHz	-0.504 dB
2:	219.000MHz	-3.531 dB
3:	164.230MHz	-3.546 dB
4:	91.500MHz	-46.228 dB
5:	291.500MHz	-37.033 dB