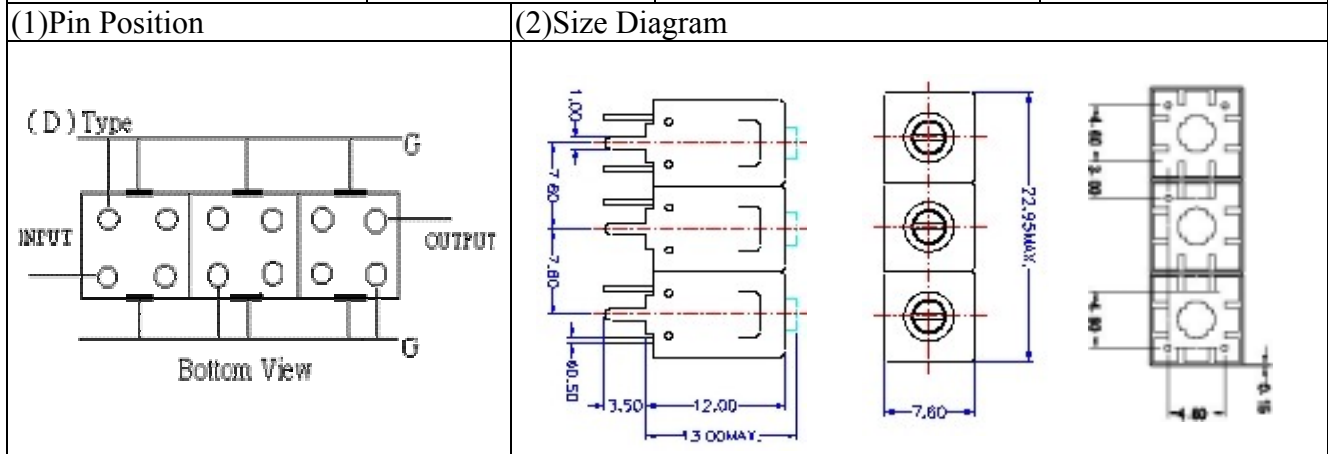
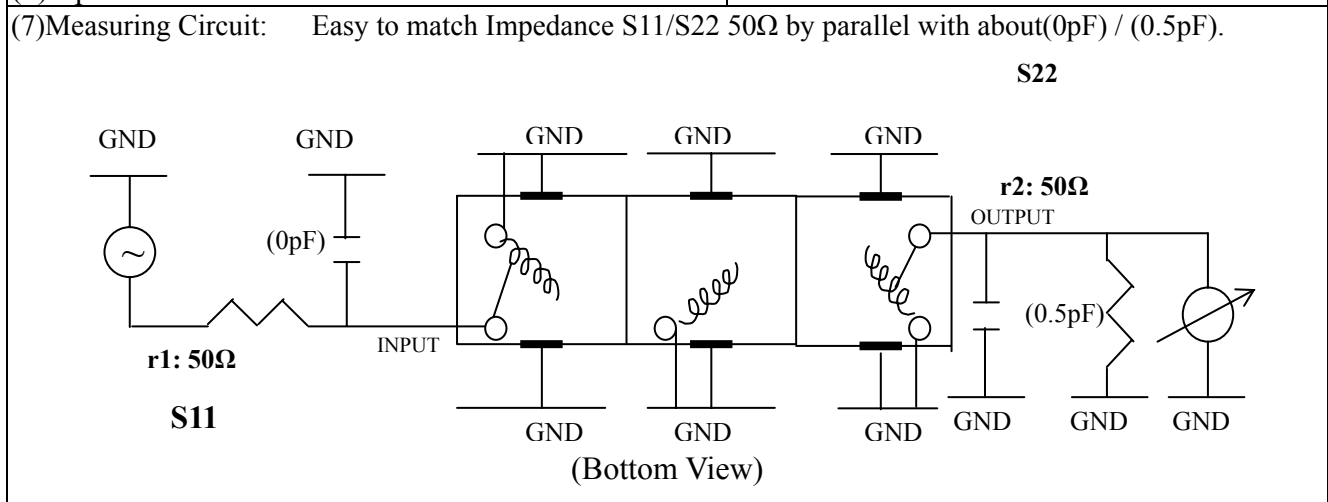


VHF UHF Helical Filter Specification Sheet

Customer Name		Temwell's Part No.	TT67101D-490M
Approval No. /dated		Customer's Print name.	67101D 490M
Work Instruction No.	0710032C	Date	Nov.10.2007



(3) Electric Charasteric	
Item	Specify
Center Freq.(Fo) +/- 0.5 %	490 MHz
Tunable Range:	490±5 MHz
Insertion Loss	Typ. 4.0 dB
-3 dB Bandwidth	Typ. 8 MHz
Sensitivity (Attenuation)	Fo - 30 MHz Typ. 46 dBc
	Fo + 30 MHz Typ. 32 dBc
	Fo - ()MHz Typ. dBc
	Fo +()MHz Typ. dBc
Return Loss	Min. 12 dB
Ripple	< 1 dB
Impedance	In / Out : 50 Ω
(4) Torque for Tuning Screw	> 60gf cm
(5) Temperature Condition:	
Operating Temperature	0 ~ +60
Storage Temperature	-20 ~ +70
(6) Input Power	> 1Watt

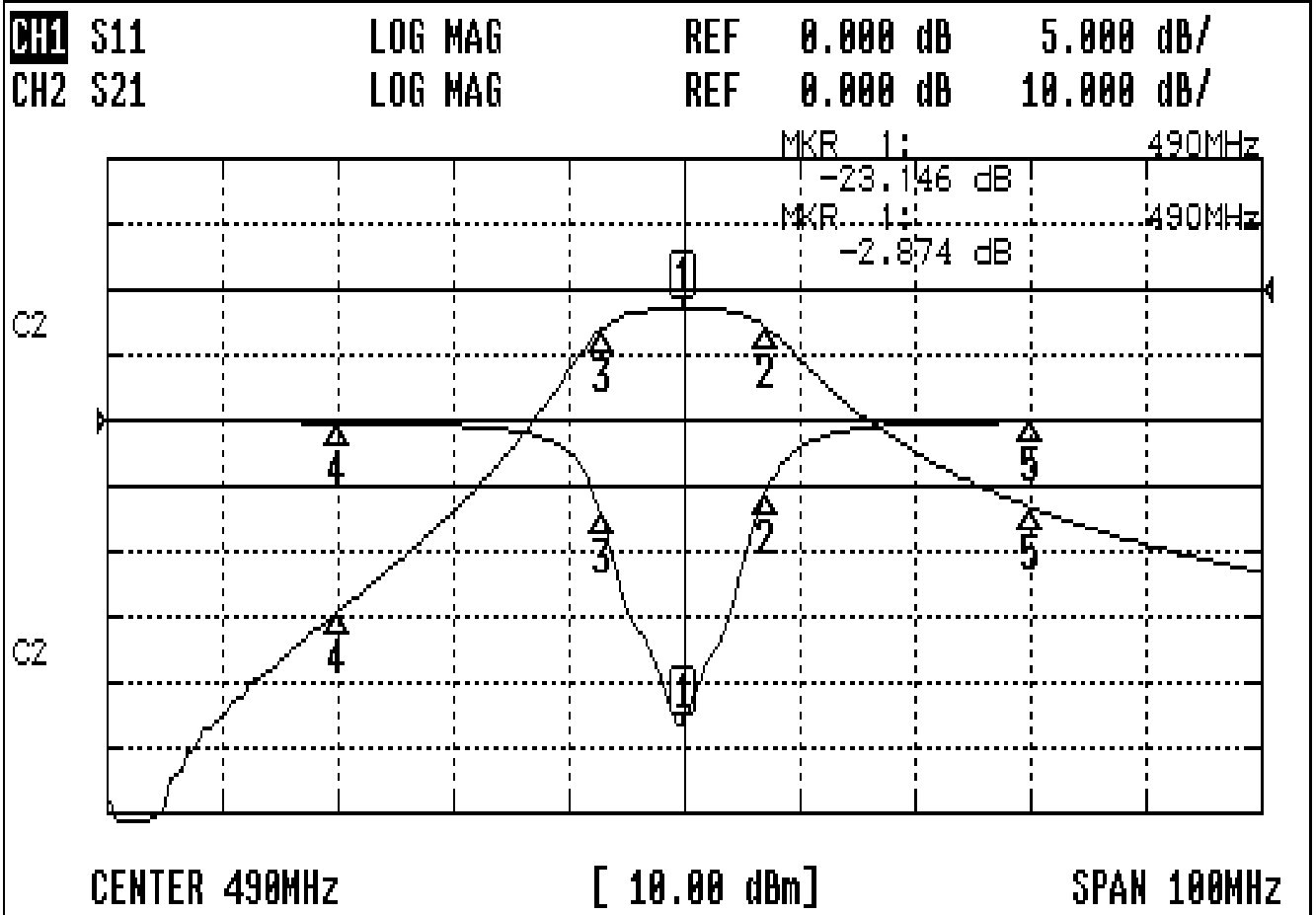


Approval C.Y.Chang	Supervisor C.S.Chang	Designer P.H.Chiang	Aperture size 7H3(4*5.5)F 7H046LB4 聚 3
-----------------------	-------------------------	------------------------	--

TEMWELL CORPORATION

Performance-TT67101D-490M

0710032C



CH1 MARKER LIST

1	490.000MHz	-23.144 dB
2	497.166MHz	-5.469 dB
3	482.916MHz	-7.288 dB
4	460.000MHz	-0.179 dB
5	520.000MHz	-0.120 dB

CH2 MARKER LIST

1	490.000MHz	-2.874 dB
2	497.166MHz	-5.842 dB
3	482.916MHz	-5.947 dB
4	460.000MHz	-49.356 dB
5	520.000MHz	-33.287 dB