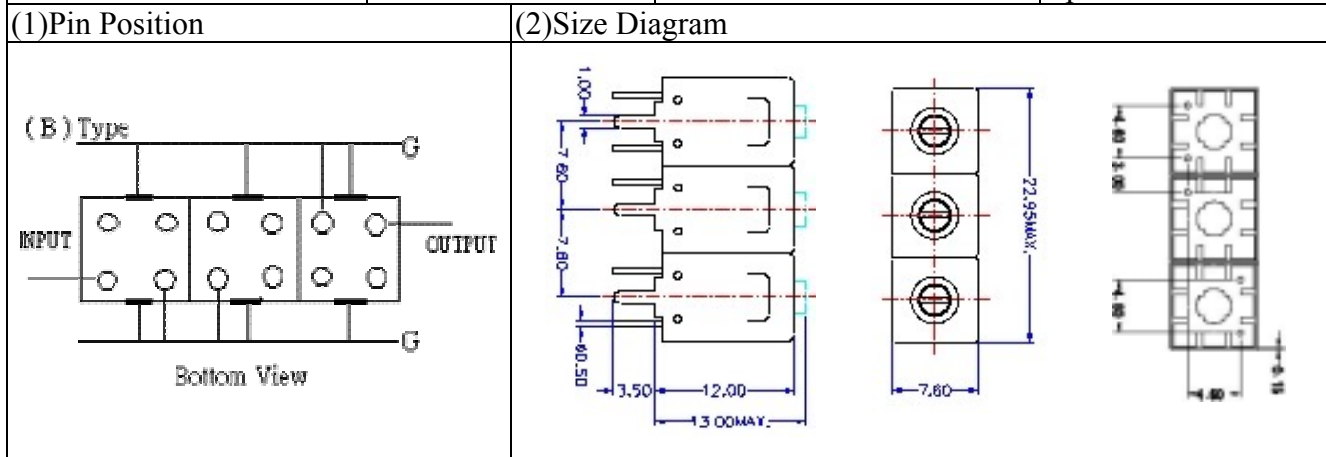
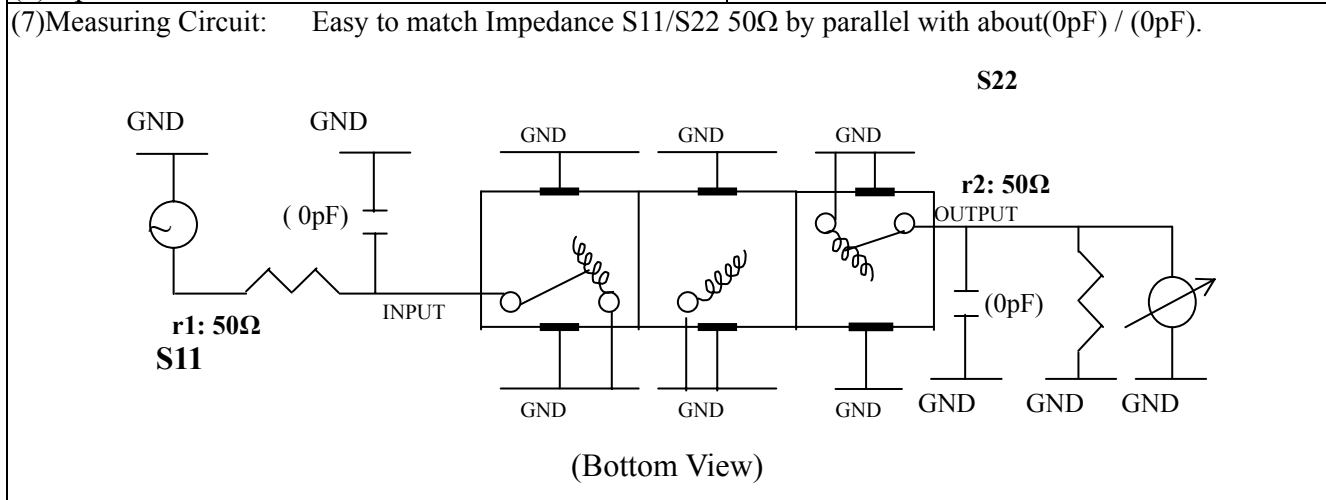


# VHF UHF Helical Filter Specification Sheet

Customer Name		Temwell's Part No.	TT67181B-128M
Approval No. /dated		Customer's Print Name.	67181B 128M
Work Instruction No.	200903153ED	Date	Apr.01.2009



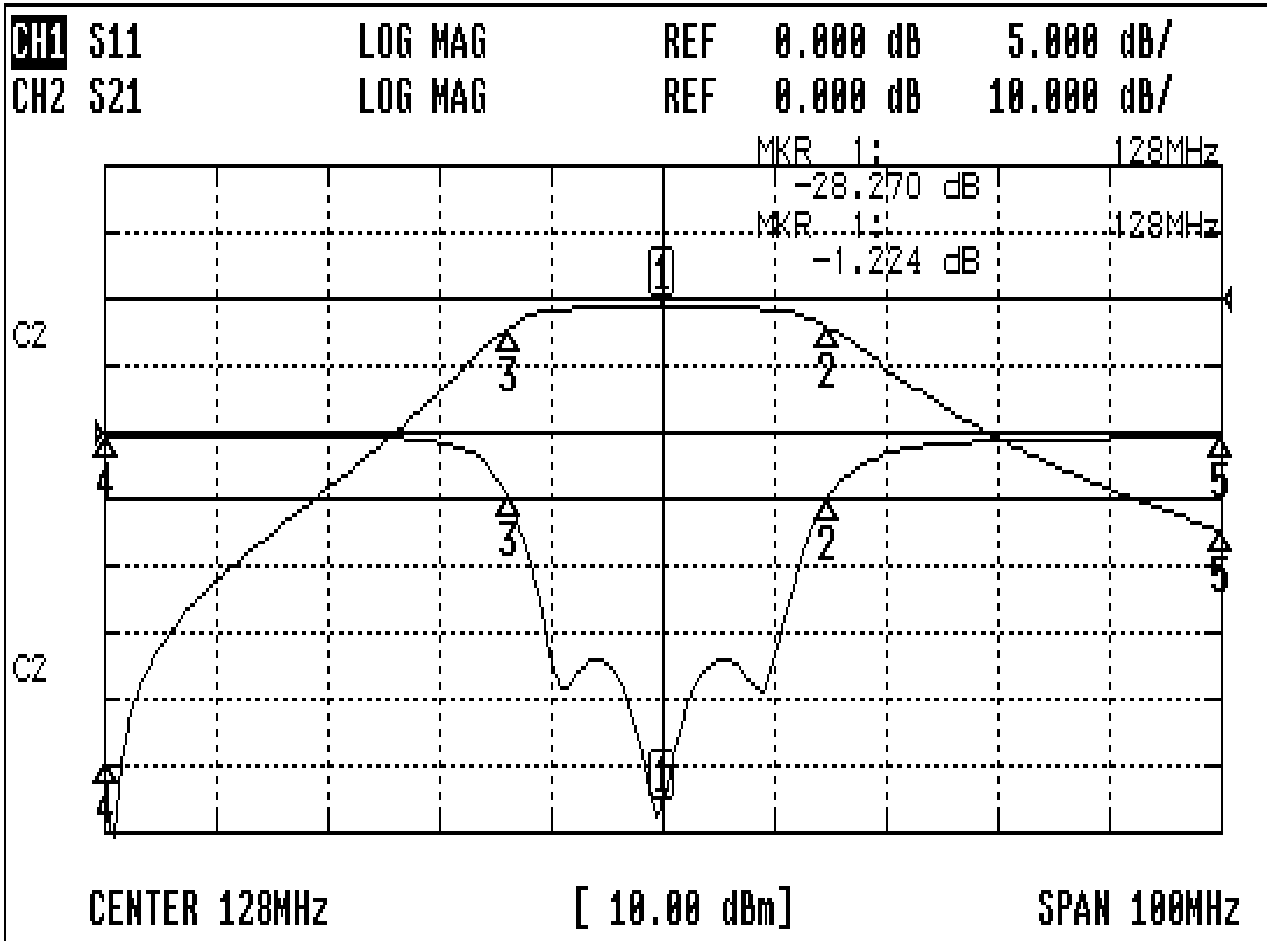
(3) Electric Characteristic	
Item	Specify
Center Freq.(Fo) +/- 0.5 %	128 MHz
Tunable Range:	128±2 MHz
Insertion Loss	Typ. 2.5 dB
-3 dB Bandwidth	Typ. 24 MHz
Sensitivity (Attenuation)	Fo - 50 MHz Typ. 54 dBc
	Fo + 50 MHz Typ. 30 dBc
	Fo - ( )MHz Typ. dBc
	Fo +( )MHz Typ. dBc
Return Loss	Min. 12 dB
Ripple	< 1 dB
Impedance	In / Out : 50 Ω
(4) Torque for Tuning Screw	
> 100gf cm	
(5) Temperature Condition:	
Operating Temperature	0 ~ +60
Storage Temperature	-20 ~ +70
(6) Input Power	
> 1Watt	



Approval	Supervisor	Designer	Aperture size
C.Y.Chang	C.K.Chang	C.H.Yeh	7H3S(4*7.5)(7.57) (7H00LB6)
TEMWELL CORPORATION			

# Performance-TT67181B-128M

## 200903153ED



### CH1 MARKER LIST

1:	128.000MHz	-28.270	dB	
2:	142.833MHz	-4.977	dB	
3:	114.166MHz	-4.713	dB	
4:	78.000MHz	-0.186	dB	
5:	178.000MHz	-0.364	dB	

### CH2 MARKER LIST

1:	128.000MHz	-1.226	dB	
2:	142.833MHz	-4.275	dB	
3:	114.166MHz	-4.271	dB	
4:	78.000MHz	-68.065	dB	
5:	178.000MHz	-34.725	dB	