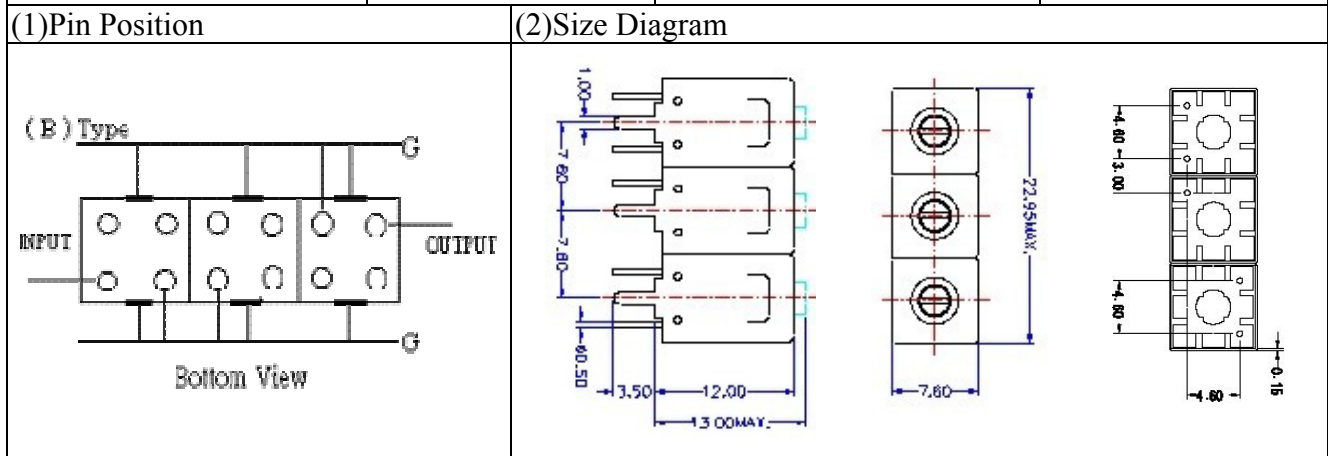


# VHF UHF Helical Filter Specification Sheet

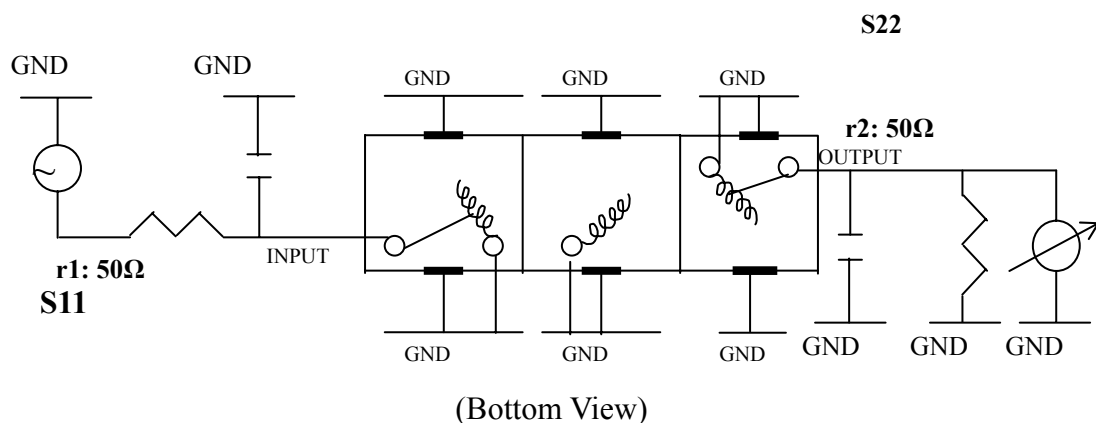
Customer Name		Temwell's Part No.	TT67198B1-110M
Approval No. /dated	201211050CD	Temwell's Print name.	67198B1 110M
Work Instruction No.	201211050CD	Date	Dec.06.2012



(3) Electric Charasteric

Item	Specify	
Center Freq.(Fo ) +/- 0.5 %	110	MHz
Insertion Loss	Typ. 3.0	dB
-3 dB Bandwidth	Typ. 8	MHz
Sensitivity (Attenuation )	Fo - ( 15 ) MHz	Typ. 29 dBc
	Fo + ( 15 ) MHz	Typ. 28 dBc
	Fo - ( ) MHz	Typ. dBc
	Fo + ( ) MHz	Typ. dBc
Return Loss	Min. 12	dB
Ripple	< 1	dB
Impedance	In / Out : 50 Ω	
(4) Torque for Tuning Screw	> 60gf • cm	
(5) Temperature Condition:		
Operating Temperature	0°C ~ +60°C	
Storage Temperature	-20°C ~ +70°C	
(6) Input Power	> 1Watt	

(7) Measuring Circuit: ※Easy to match Impedance S11/S22 50Ω by parallel with about( -- ) / ( -- ).



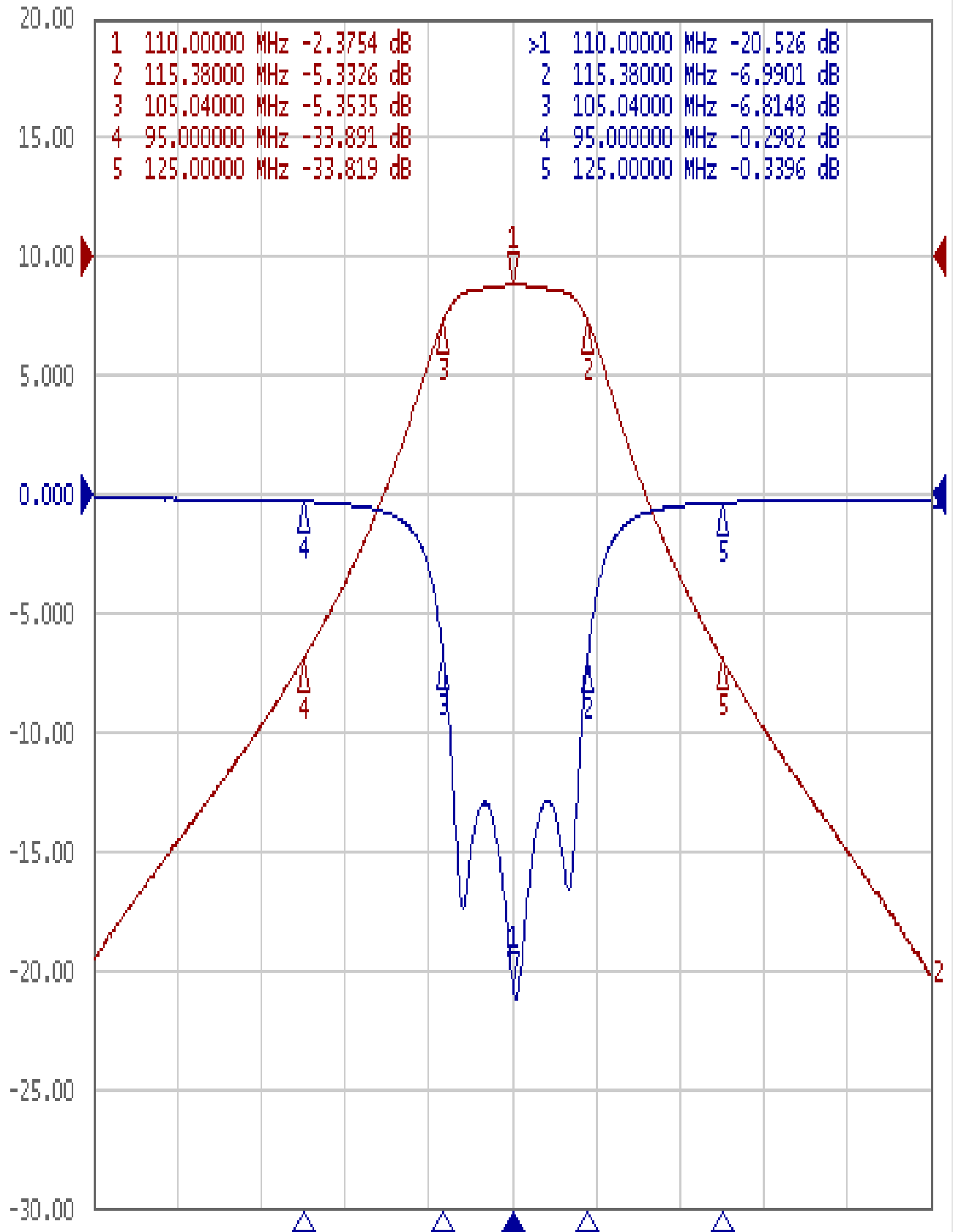
Approval C.Y.Chang	Supervisor C.K.Chang	Designer F.L.Lai	Aperture size 7H3S(4*4.65)(4.70) 7H024RB6.5
-----------------------	-------------------------	---------------------	---

TEMWELL CORPORATION

# Performance-TT67198B1-110M

## 201211050CD

Tr1 S11 Log Mag 5.000dB/ Ref 0.000dB [F2]  
Tr2 S21 Log Mag 10.00dB/ Ref 0.000dB [F2]



1 Center 110 MHz

IFBW 10 kHz

Span 60 MHz Cor !