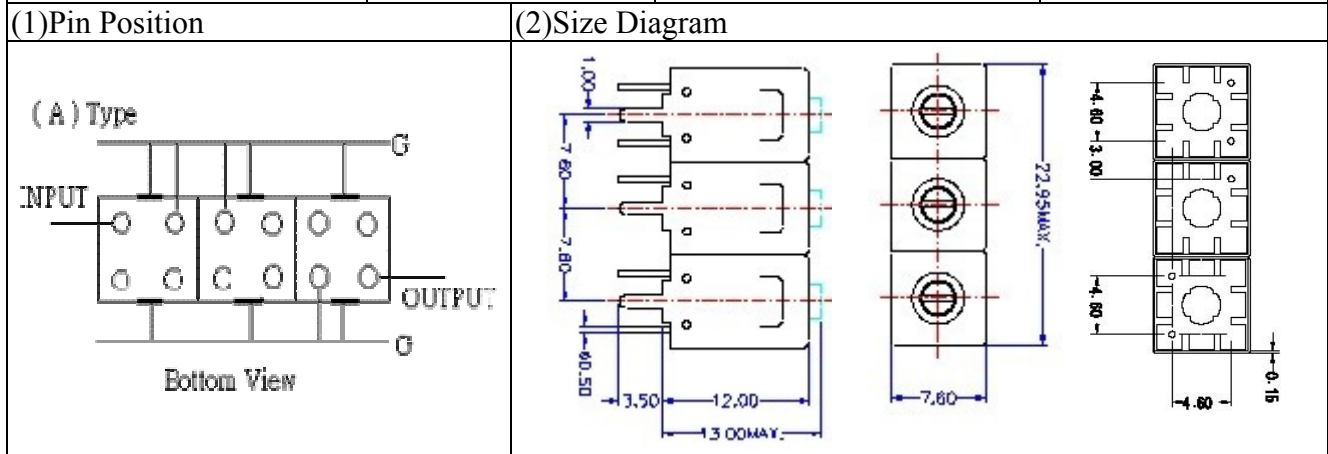
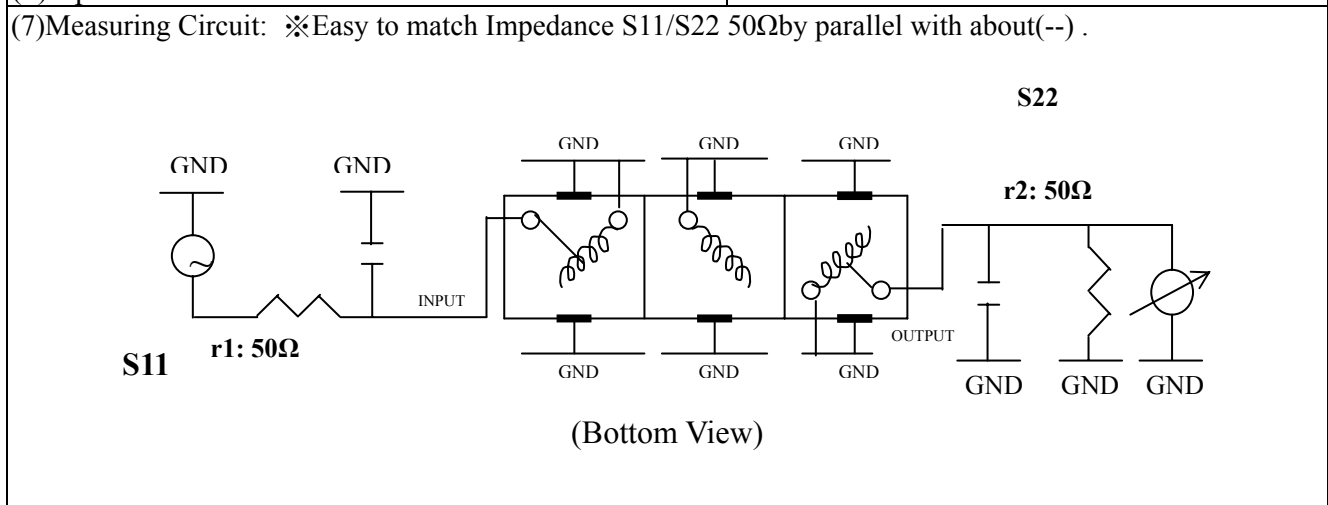


# VHF UHF Helical Filter Specification Sheet

Customer Name		Temwell's Part No.	TT67202A-546M
Approval No. /dated		Customer's Print Name.	67202A 546M
Work Instruction No.	201203065B	Date	Mar.27.2012



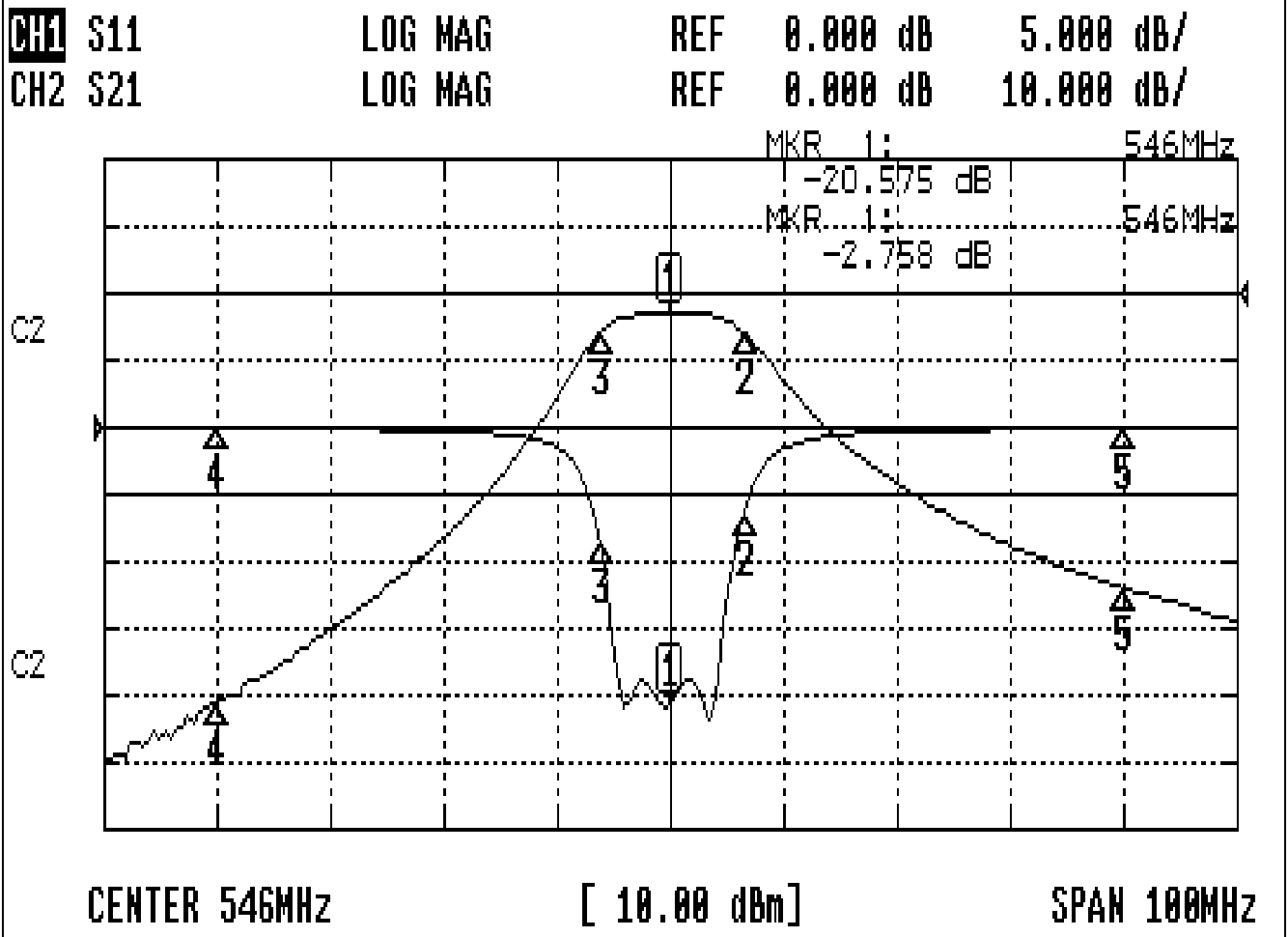
(3) Electric Charasteric		Item	Specify
		Center Freq.(Fo ) +/- 0.5 %	546 MHz
		Insertion Loss	Typ. 3.5 dB
		-3 dB Bandwidth	Typ. 10 MHz
Sensitivity (Attenuation)	Fo - 40 MHz	Typ. 49	dBc
	Fo + 40 MHz	Typ. 36	dBc
	Fo - ( )MHz	Typ.	dBc
	Fo +( )MHz	Typ.	dBc
		Return Loss	Min. 12 dB
		Ripple	< 1 dB
		Impedance	In / Out : 50 Ω
(4) Torque for Tuning Screw		> 60gf · cm	
(5) Temperature Condition:			
Operating Temperature		0°C ~ +60°C	
Storage Temperature		-20°C ~ +70°C	
(6) Input Power		> 1Watt	



Approval C.Y.Chang	Supervisor C.S.Chang	Designer P.H.Chiang	Aperture size 7H3S(4*4.65)(4.68) 7H046LB4.3 聚 3
TEMWELL CORPORATION			

# Performance-TT67202A-546M

## 201203065B



### CH1 MARKER LIST

1:	546.000MHz	-20.575	dB
2:	552.500MHz	-1.035	dB
3:	533.333MHz	-1.539	dB
4:	506.000MHz	-0.043	dB
5:	588.000MHz	-0.091	dB

### CH2 MARKER LIST

1:	546.000MHz	-2.758	dB
2:	552.500MHz	-1.771	dB
3:	533.333MHz	-1.747	dB
4:	506.000MHz	-6.956	dB
5:	588.000MHz	-43.832	dB