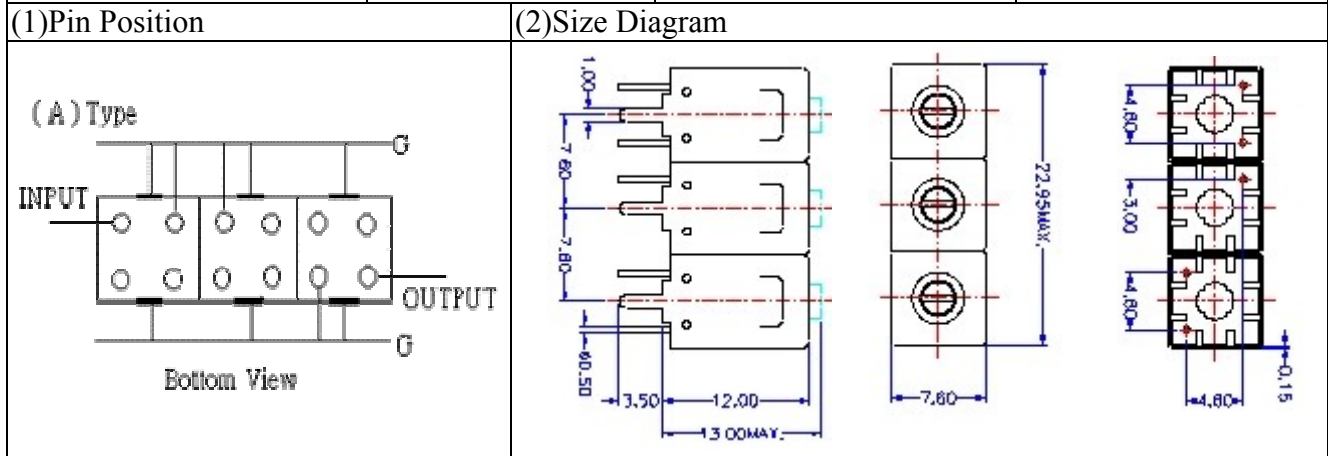
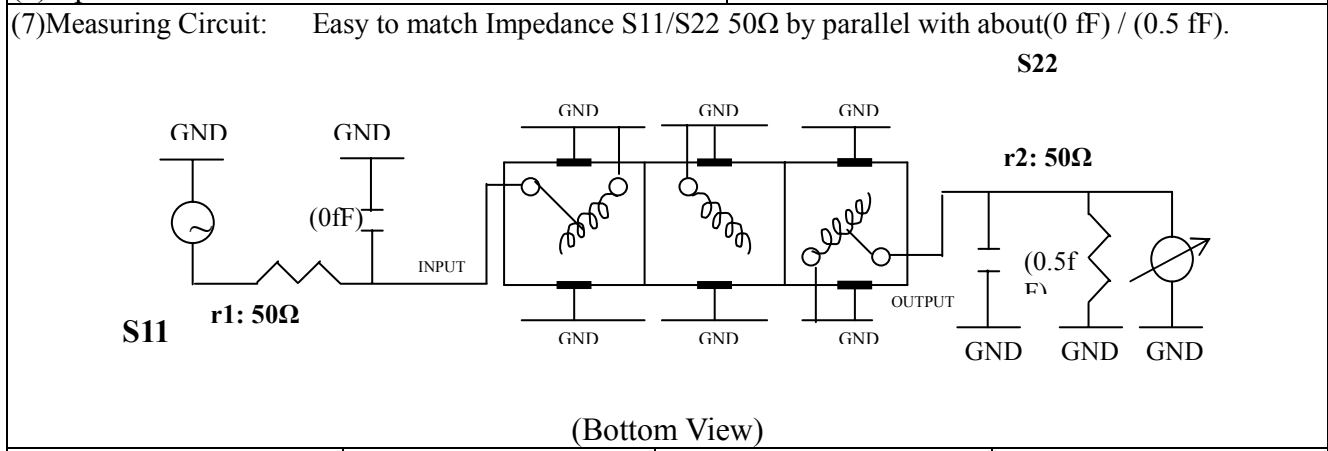


VHF UHF Helical Filter Specification Sheet

Customer Name		Temwell's Part No.	TT67216A-836M
Approval No. /dated	0607053APR	Temwell's print name	67216A 836M
Work Instruction No.	0607053C	Date	Aug.08.2006



(3) Electric Character	
Item	Specify
Center Freq.(Fo) +/- 0.5 %	836 MHz
Tunable Range	836±5 MHz
Insertion Loss	Typ. 2.5 dB
-3dB Bandwidth	Typ. 40 MHz
Sensitivity (Attenuation)	Fo - 80 MHz Typ. 46 dBc
	Fo + 80 MHz Typ. 27 dBc
	Fo - ()MHz Typ. dBc
	Fo +()MHz Typ. dBc
Return Loss	Min. 12 dB
Ripple	< 1 dB
Impedance	In / Out : 50 Ω
(4) Torque for Tuning Screw > 100gf cm	
(5) Temperature Condition:	
Operating Temperature	0 ~ +60
Storage Temperature	-20 ~ +70
(6) Input Power > 1Watt	



Approval C.Y.Chang	Supervisor C.S.Chang	Designer P.H.Chiang	Aperture size 7H3S(4*7.5) 7H046LB4 聚 3
TEMWELL CORPORATION			

Performance-TT67216A-836M

0607053C

