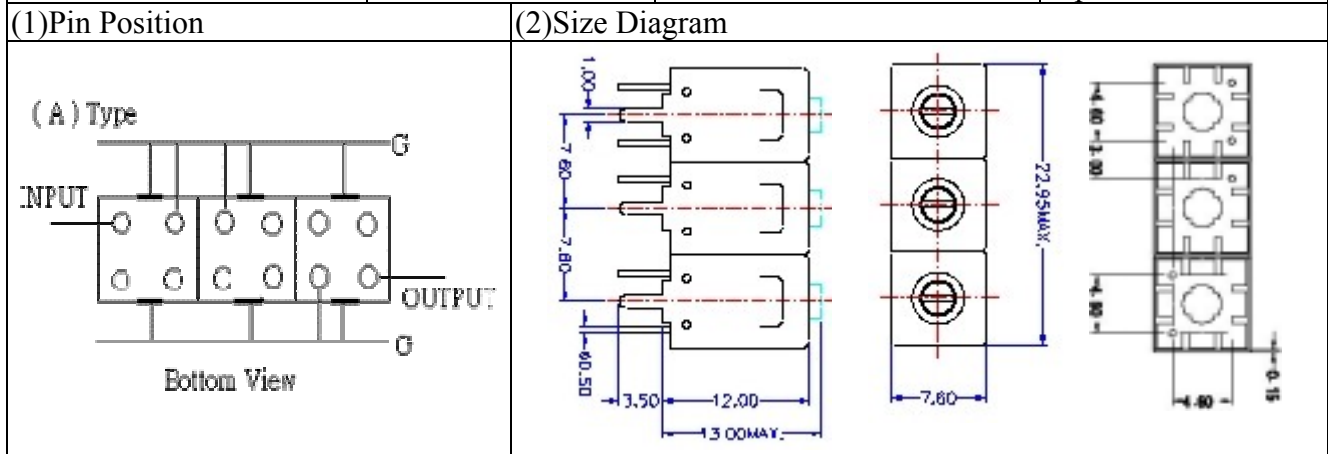
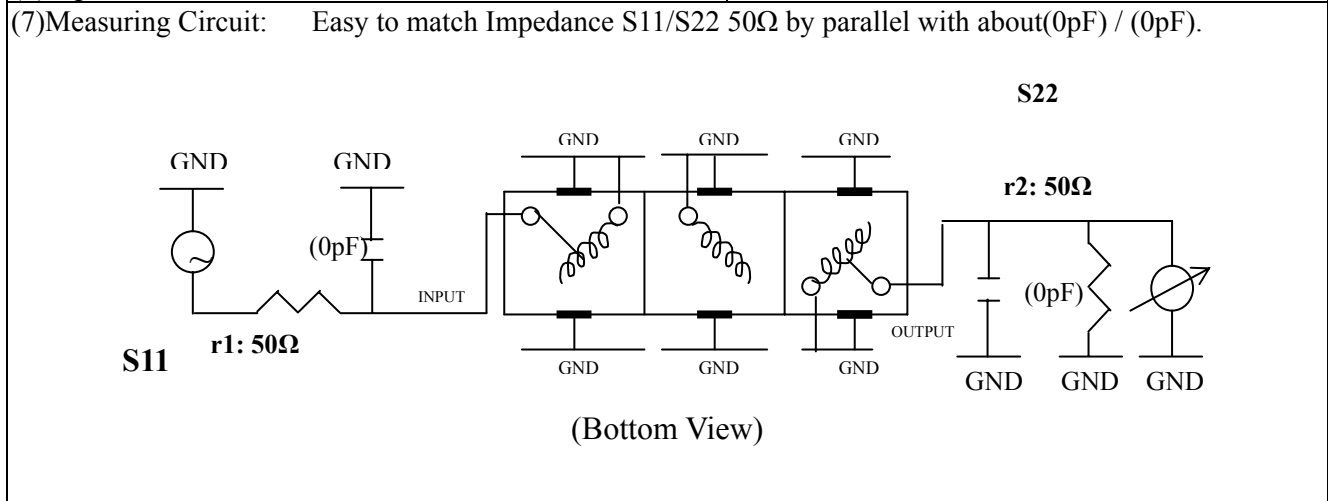


VHF UHF Helical Filter Specification Sheet

Customer Name		Temwell's Part No.	TT67218A-920M
Approval No. /dated	0809114CD	Customer's Print Name.	67218A 920M
Work Instruction No.	200809114CD	Date	Sep.30.2008



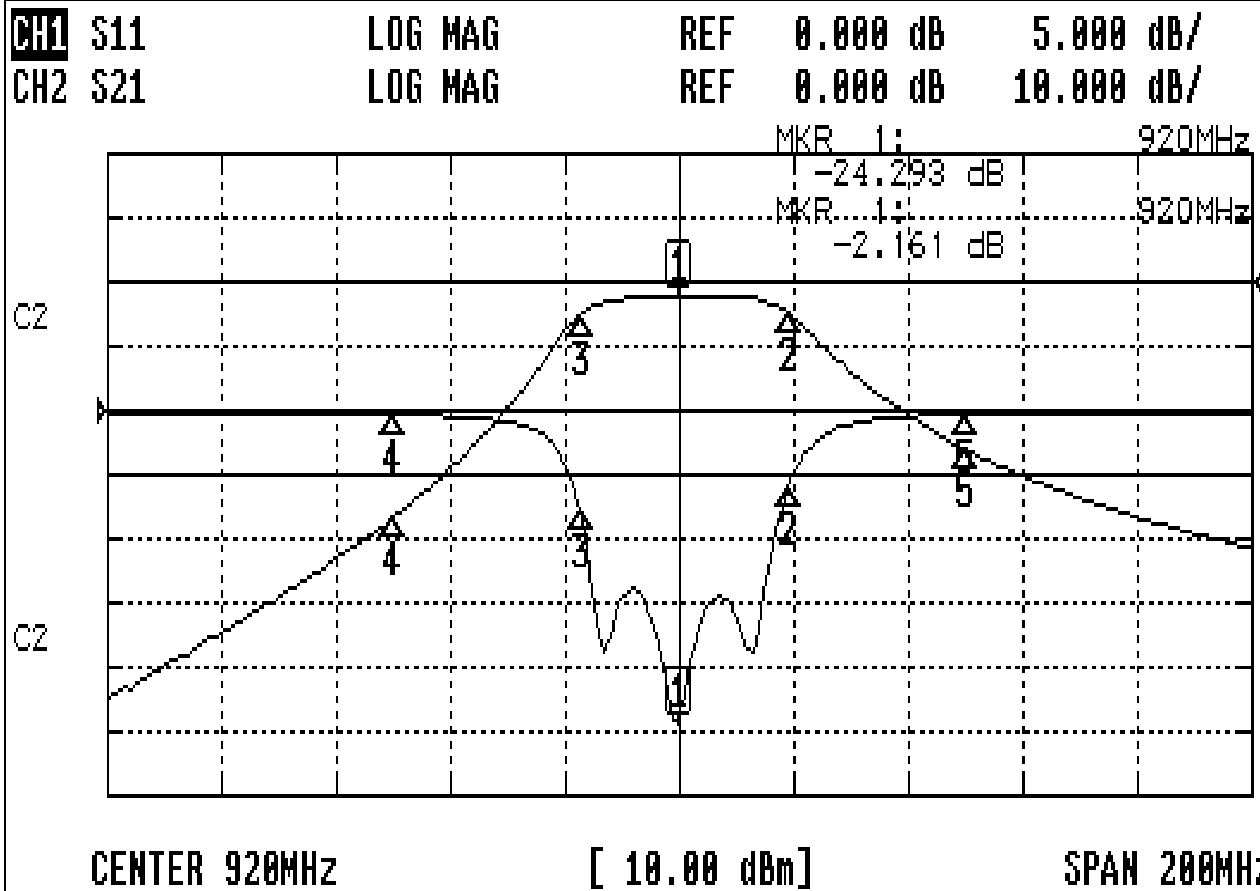
(3) Electric Charasteric		Item	Specify
		Center Freq.(Fo) +/- 0.5 %	920 MHz
		Insertion Loss	Typ. 3.5 dB
		-3 dB Bandwidth	Typ. 20 MHz
Sensitivity (Attenuation)	Fo - 50 MHz	Typ. 30 dBc	
	Fo + 50 MHz	Typ. 20 dBc	
	Fo - ()MHz	Typ. dBc	
	Fo +()MHz	Typ. dBc	
		Return Loss	Min. 12 dB
		Ripple	< 1 dB
		Impedance	In / Out : 50 Ω
(4) Torque for Tuning Screw			> 100gf cm
(5) Temperature Condition:			
Operating Temperature			0 ~ +60
Storage Temperature			-20 ~ +70
(6) Input Power			> 1Watt



Approval C.Y.Chang	Supervisor C.S.Chang	Designer C.H.Yeh	Aperture size 7H3S(4*6.5F) (7H046LB4 聚 3)
TEMWELL CORPORATION			

Performance-TT67218A-920M

200809114CD



CH1 MARKER LIST

1:	920.000MHz	-24.293	dB
2:	939.333MHz	-5.717	dB
3:	902.666MHz	-7.735	dB
4:	870.000MHz	-0.344	dB
5:	970.000MHz	-0.317	dB

CH2 MARKER LIST

1:	920.000MHz	-2.156	dB
2:	939.333MHz	-1.108	dB
3:	902.666MHz	-1.156	dB
4:	870.000MHz	-26.676	dB
5:	970.000MHz	-26.065	dB