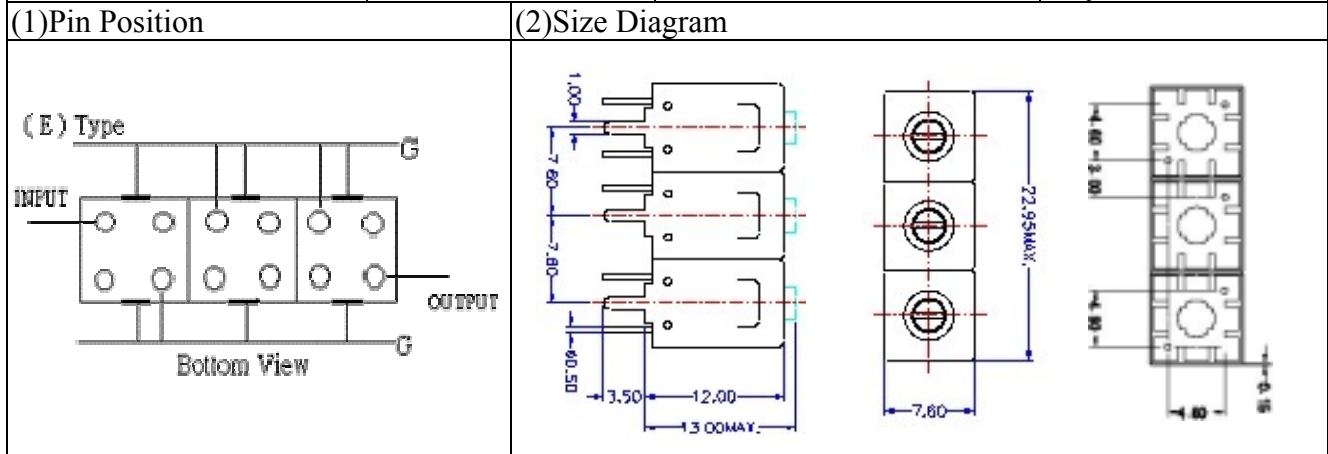
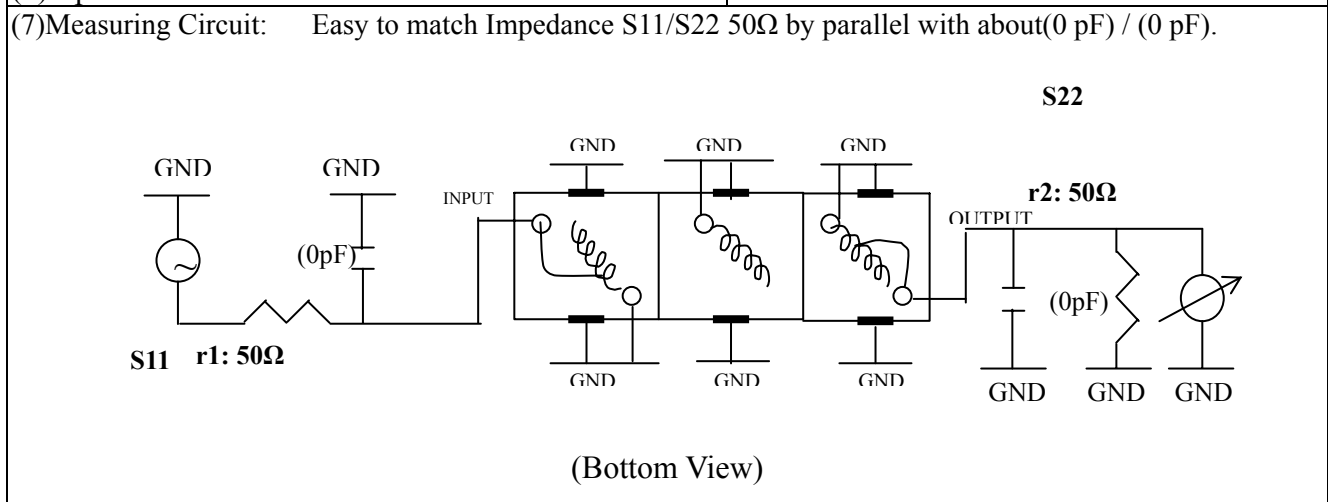


VHF UHF Helical Filter Specification Sheet

| | | | |
|----------------------|-------------|---------------------|------------------|
| Customer Name | | Temwell's Part No. | TT67289E-463.5M |
| Approval No. /dated | 20503054APR | Customer's Part No. | 67289E 463.5M |
| Work Instruction No. | 0704005A | Date | May.04.2007 |



| | |
|------------------------------|-------------------------|
| (3)Electric Character | |
| Item | Specify |
| Center Freq.(Fo) +/- 0.5 % | 463.5 MHz |
| Tunable Range: | 463.5±5 MHz |
| Insertion Loss | Typ. 2.5 dB |
| -3 dB Bandwidth | Typ. 27 MHz |
| Sensitivity (Attenuation) | Fo - 50 MHz Typ. 34 dBc |
| | Fo + 50 MHz Typ. 34 dBc |
| | Fo - ()MHz Typ. dBc |
| | Fo +()MHz Typ. dBc |
| Return Loss | Min. 12 dB |
| Ripple | < 1 dB |
| Impedance | In / Out : 50 Ω |
| (4)Torque for Tuning Screw | > 100gf cm |
| (5)Temperature Condition: | |
| Operating Temperature | 0 ~ +60 |
| Storage Temperature | -20 ~ +70 |
| (6)Input Power | > 1Watt |



| | | | |
|-----------|------------|----------|-----------------------------------|
| Approval | Supervisor | Designer | Aperture size |
| C.Y.Chang | C.S.Chang | J.F.Lin | 7H3(4*7.5)(7.59F) 7H046LB4 聚 3 |

TEMWELL CORPORATION

Performance-TT67289E-463.5M

0704005A

