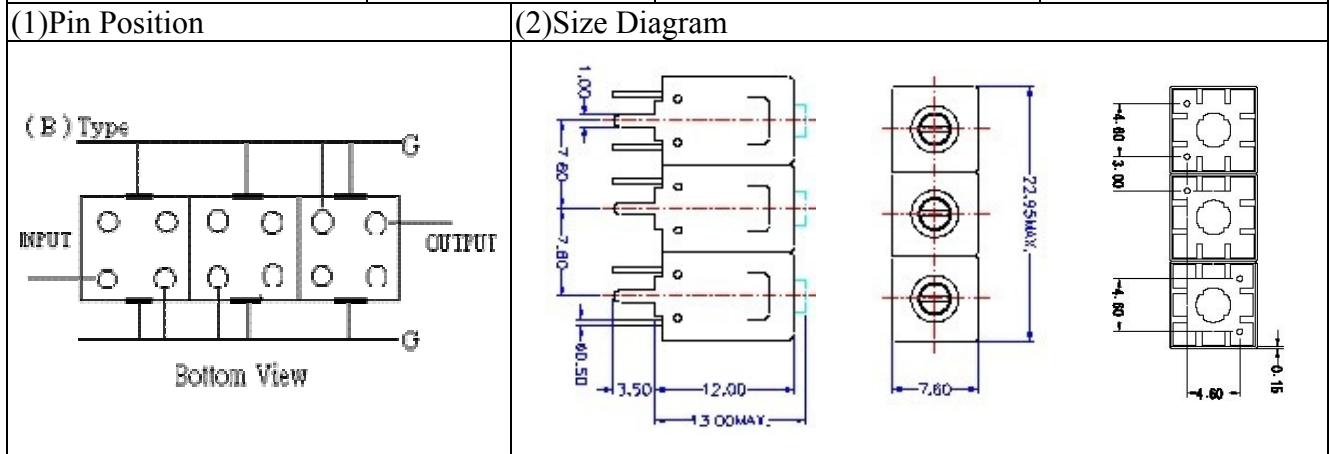
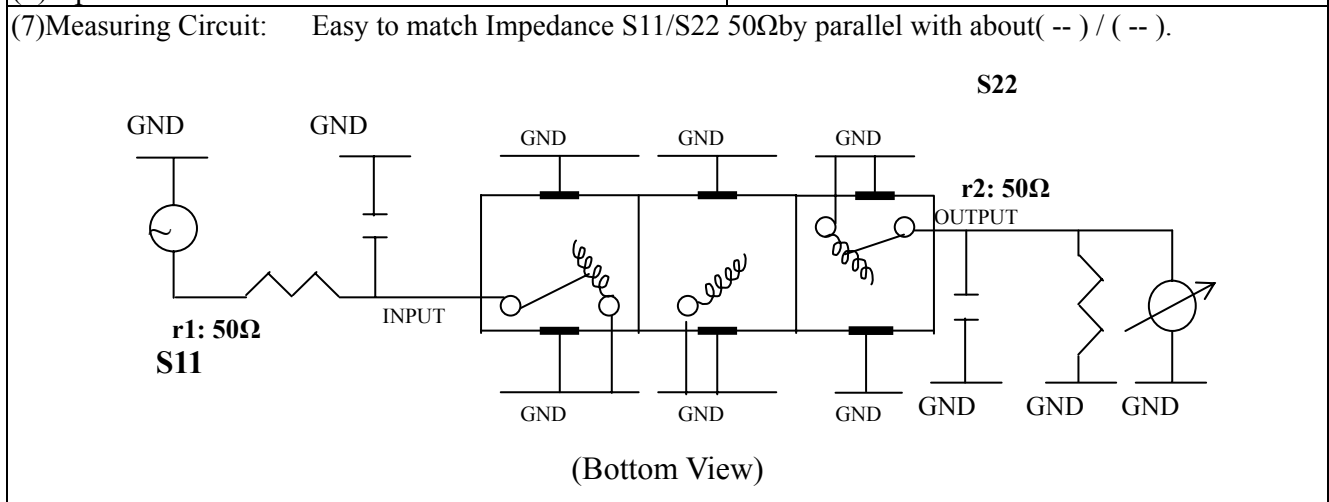


VHF UHF Helical Filter Specification Sheet

Customer Name		Temwell's Part No.	TT67295B-435M
Approval No. /dated	201107074CD	Temwell's Print name.	67295B 435M
Work Instruction No.	201107074CD	Date	Oct.07.2011



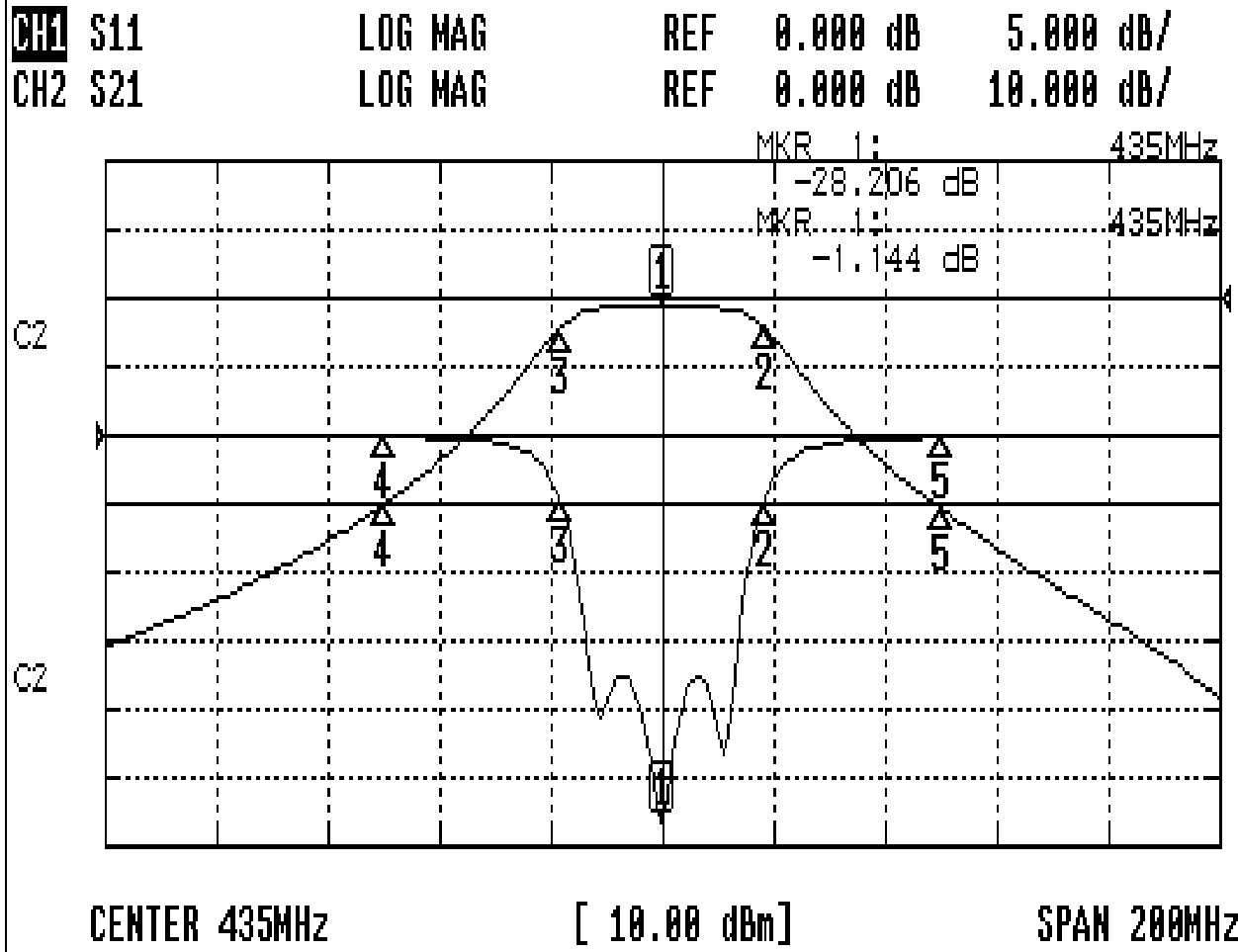
(3) Electric Charasteric		Item	Specify
Center Freq.(Fo) +/- 0.5 %			435 MHz
Insertion Loss		Typ.	3.0 dB
-3 dB Bandwidth		Typ.	34 MHz
Sensitivity (Attenuation)	Fo - 50 MHz	Typ.	26 dBc
	Fo + 50 MHz	Typ.	26 dBc
	Fo - () MHz	Typ.	dBc
	Fo + () MHz	Typ.	dBc
Return Loss		Min.	12 dB
Ripple			< 1 dB
Impedance			In / Out : 50 Ω
(4) Torque for Tuning Screw			> 60gf cm
(5) Temperature Condition:			
Operating Temperature			0 ~ +60
Storage Temperature			-20 ~ +70
(6) Input Power			> 1Watt



Approval C.Y.Chang	Supervisor C.K.Chang	Designer M.Y.Kang	Aperture size 7H3S(4*5.5)(5.58) 7H046LB5.5
TEMWELL CORPORATION			

Performance-TT67295B-435M

201107074CD



CH1 MARKER LIST

Marker	Frequency (MHz)	Magnitude (dB)
1	435.000	-28.206
2	453.166	-4.957
3	416.833	-4.923
4	385.000	-0.097
5	485.000	-0.113

CH2 MARKER LIST

Marker	Frequency (MHz)	Magnitude (dB)
1	435.000	-1.144
2	453.166	-4.140
3	416.833	-4.132
4	385.000	-30.117
5	485.000	-30.850