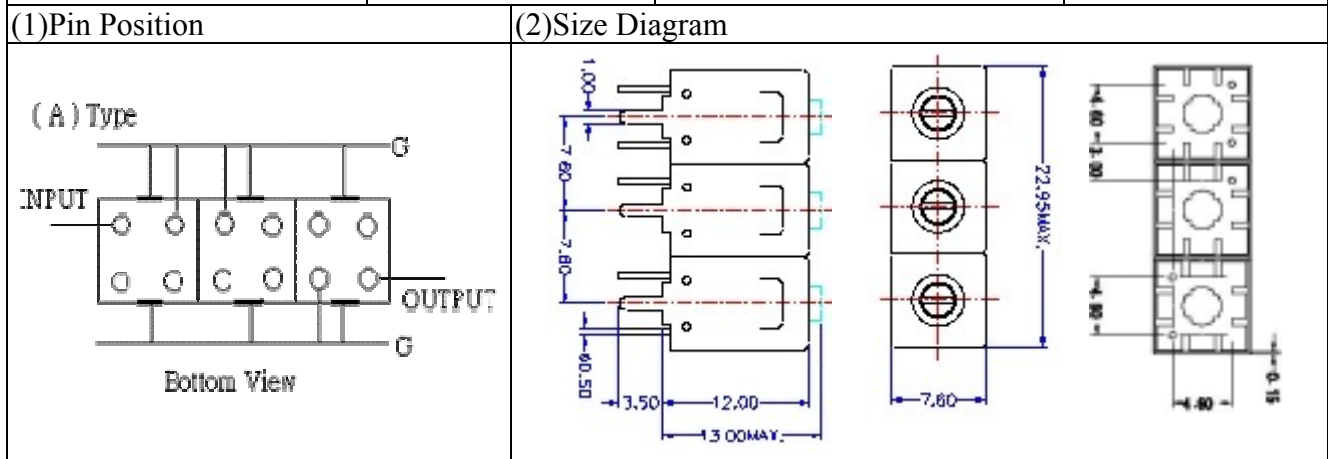


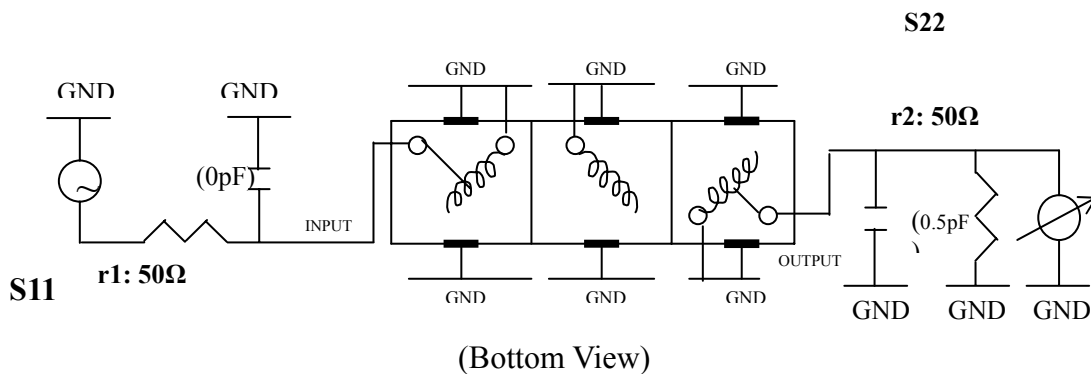
VHF UHF Helical Filter Specification Sheet

Customer Name		Temwell's Part No.	TT67314A-1025M
Approval No. /dated	200810090CD	Acceptable Specify Fo Range	1001~1100MHz
Work Instruction No.	200810090CD	Date	Oct.20.2008



(3) Electric Characteristic		Item	Specify
		Center Freq.(Fo) +/- 0.5 %	1025 MHz
		Tunable Range:	1025±5 MHz
		Insertion Loss	Typ. 3.0 dB
		-3 dB Bandwidth	Typ. 35 MHz
Sensitivity (Attenuation)	Fo - (50) MHz	Typ. 26	dBc
	Fo + (50) MHz	Typ. 18	dBc
	Fo - () MHz	Typ.	dBc
	Fo + () MHz	Typ.	dB
		Return Loss	Min. 12 dB
		Ripple	< 1 dB
		Impedance	In / Out : 50 Ω
(4) Torque for Tuning Screw		> 100gf cm	
(5) Temperature Condition:			
Operating Temperature		0 ~ +60	
Storage Temperature		-20 ~ +70	
(6) Input Power		> 1Watt	

(7) Measuring Circuit: Easy to match Impedance S11/S22 50Ω by parallel with about (0pF) / (0.5pF).

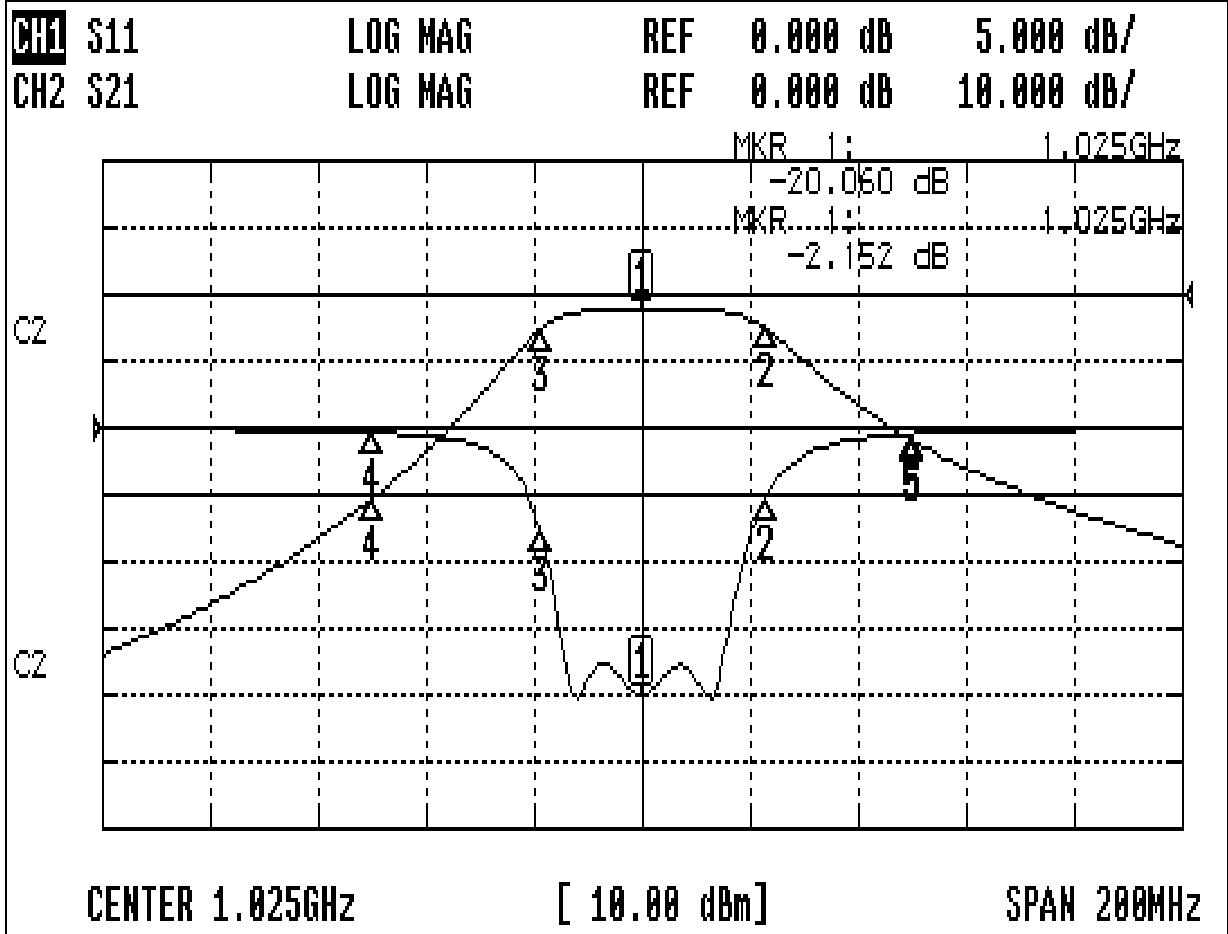


Approval C.Y.Chang	Supervisor C.S.Chang	Designer Y.H.Yeh	Aperture size 7H3S(4*8.0F) 7H046LB4 聚 3
-----------------------	-------------------------	---------------------	---

TEMWELL CORPORATION

Performance-TT67314A-1025M

200810090CD



CH1 MARKER LIST

1:	1.025 000GHz	-20.060 dB
2:	1.047 750GHz	-5.349 dB
3:	1.006 250GHz	-7.704 dB
4:	975.000MHz	-0.366 dB
5:	1.075 000GHz	-0.445 dB

CH2 MARKER LIST

1:	1.025 000GHz	-2.152 dB
2:	1.047 750GHz	-5.173 dB
3:	1.006 250GHz	-5.154 dB
4:	975.000MHz	-30.574 dB
5:	1.075 000GHz	-21.840 dB