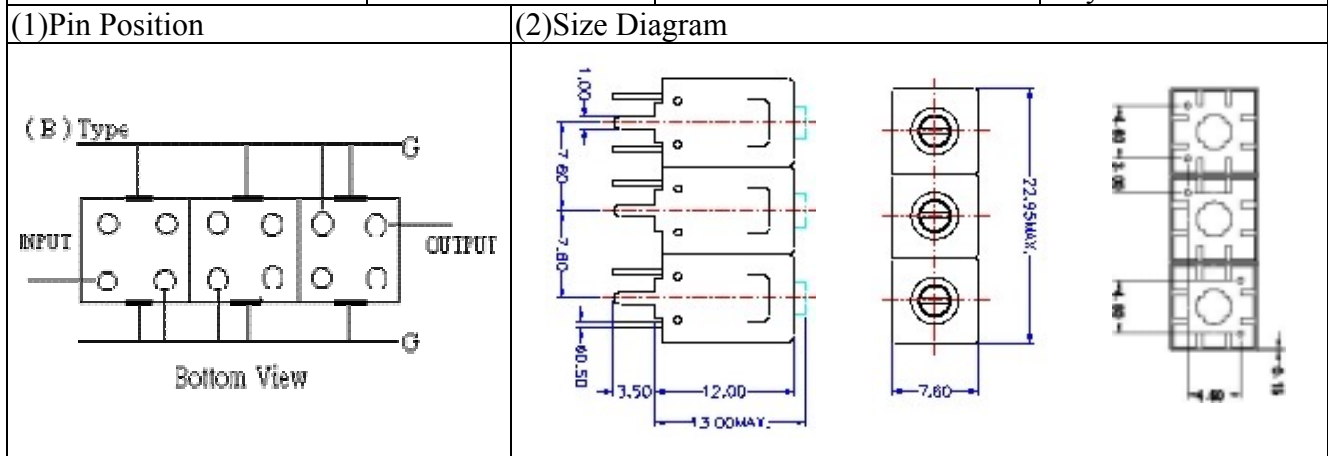
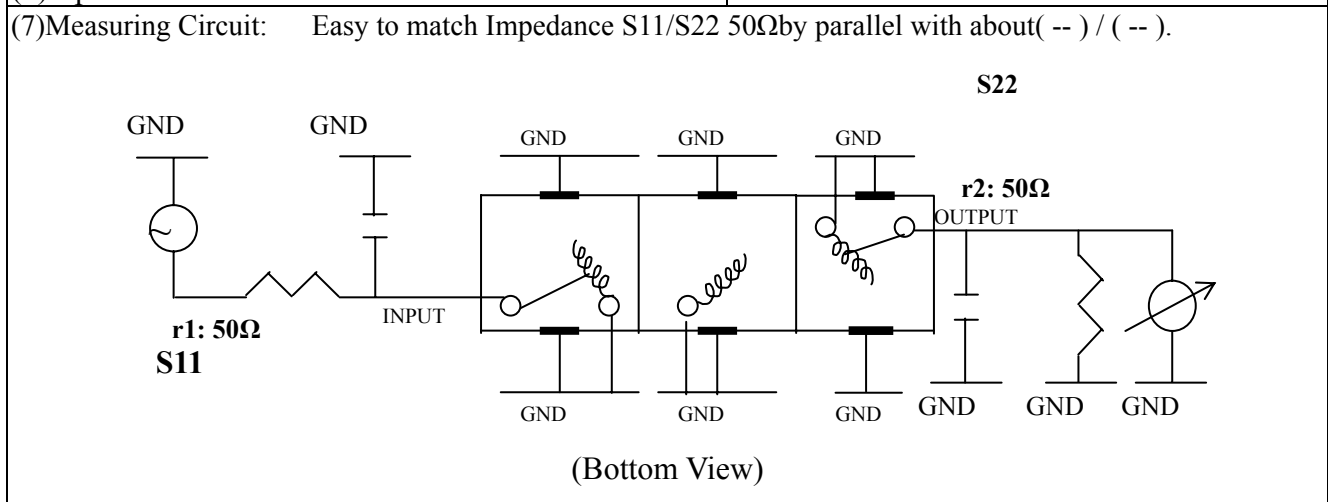


# VHF UHF Helical Filter Specification Sheet

Customer Name		Temwell's Part No.	TT67361B-230M
Approval No. /dated		Temwell's Print name.	67361B 230M
Work Instruction No.	201105046B	Date	May.18.2011



(3) Electric Charasteric	
Item	Specify
Center Freq.(Fo ) +/- 0.75 %	230 MHz
Insertion Loss	Typ. 2.0 dB
-3 dB Bandwidth	Typ. 40 MHz
Sensitivity (Attenuation )	Fo - ( 50 ) MHz Typ. 18 dBc
	Fo + ( 50 ) MHz Typ. 13 dBc
	Fo - ( ) MHz Typ. dBc
	Fo + ( ) MHz Typ. dBc
Return Loss	Min. 12 dB
Ripple	< 1 dB
Impedance	In / Out : 50 Ω
(4) Torque for Tuning Screw	> 100gf cm
(5) Temperature Condition:	
Operating Temperature	0 ~ +60
Storage Temperature	-20 ~ +70
(6) Input Power	> 1Watt



Approval C.Y.Chang	Supervisor C.K.Chang	Designer Y.H.Yeh	Aperture size 7H3S(4*6.5)(6.58) 7H046RB6.5
-----------------------	-------------------------	---------------------	--

# Performance-TT67361B-230M

## 201105046B

