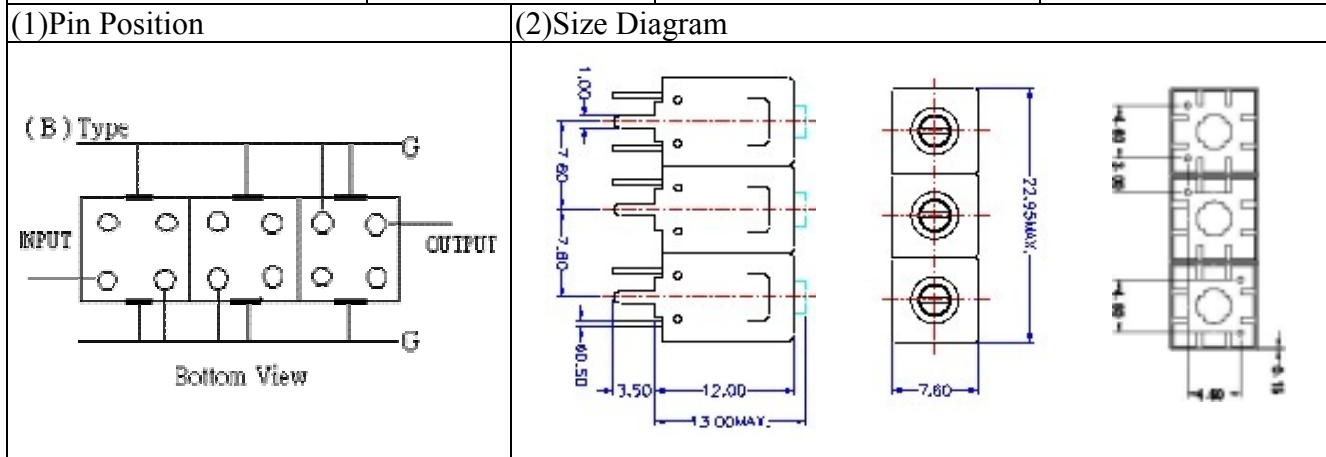


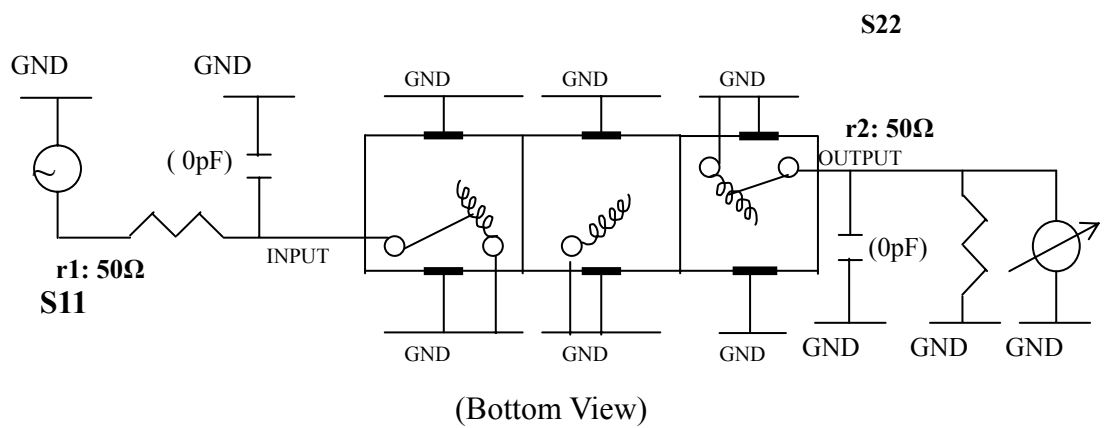
PVHF UHF Helical Filter Specification Sheet

Customer Name		Temwell's Part No.	TT67361B-250M
Approval No. /dated	0805091EB	Customer's Print Name.	67361B 250M
Work Instruction No.	0805091EB	Date	Jun.26.2008



(3) Electric Characteristic	
Item	Specify
Center Freq.(Fo) +/- 0.5 %	250 MHz
Insertion Loss	Typ. 2 dB
-3 dB Bandwidth	Typ. 40 MHz
Sensitivity (Attenuation)	Fo - 100 MHz Typ. 55 dBc
	Fo + 100 MHz Typ. 30 dBc
	Fo - ()MHz Typ. dBc
	Fo +()MHz Typ. dBc
Return Loss	Min. 12 dB
Ripple	< 1 dB
Impedance	In / Out : 50 Ω
(4) Torque for Tuning Screw	
> 100gf cm	
(5) Temperature Condition:	
Operating Temperature	0 ~ +60
Storage Temperature	-20 ~ +70
(6) Input Power	> 1Watt

(7) Measuring Circuit: Easy to match Impedance S11/S22 50Ω by parallel with about (0pF) / (0pF).

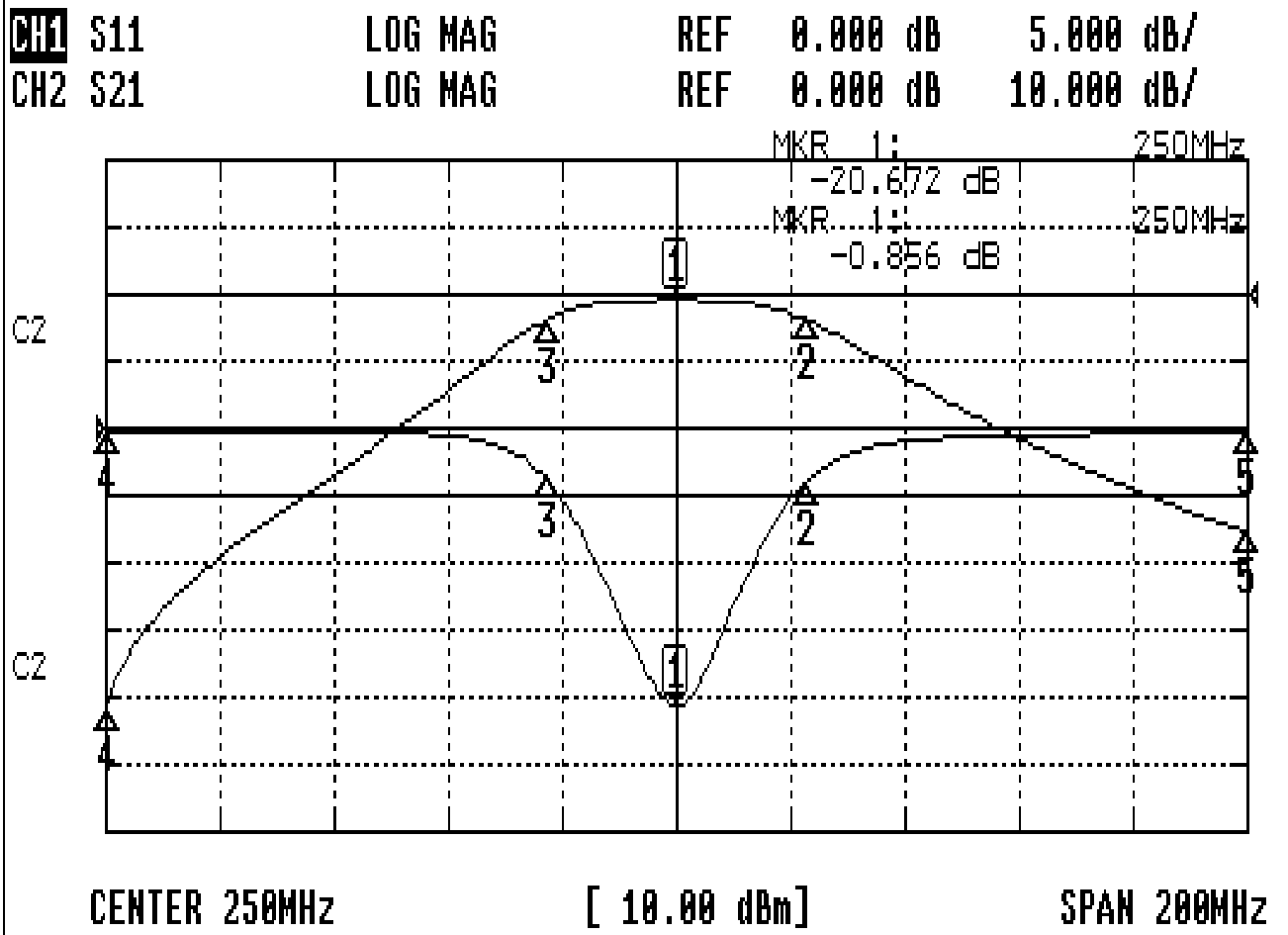


Approval C.Y.Chang	Supervisor C.S.Chang	Designer Y.H.Chuan	Aperture size 7H3(4*6.5F) 7H00LB6
-----------------------	-------------------------	-----------------------	---

TEMWELL CORPORATION

Performance-TT67361B-250M

0805091EB



CH1 MARKER LIST

1:	250.000MHz	-20.681 dB
2:	272.666MHz	-14.059 dB
3:	227.333MHz	-3.827 dB
4:	150.000MHz	-0.182 dB
5:	350.000MHz	-0.372 dB

CH2 MARKER LIST

1:	250.000MHz	-0.000 dB
2:	272.666MHz	-1.000 dB
3:	227.333MHz	-1.000 dB
4:	150.000MHz	-1.000 dB
5:	350.000MHz	-1.000 dB