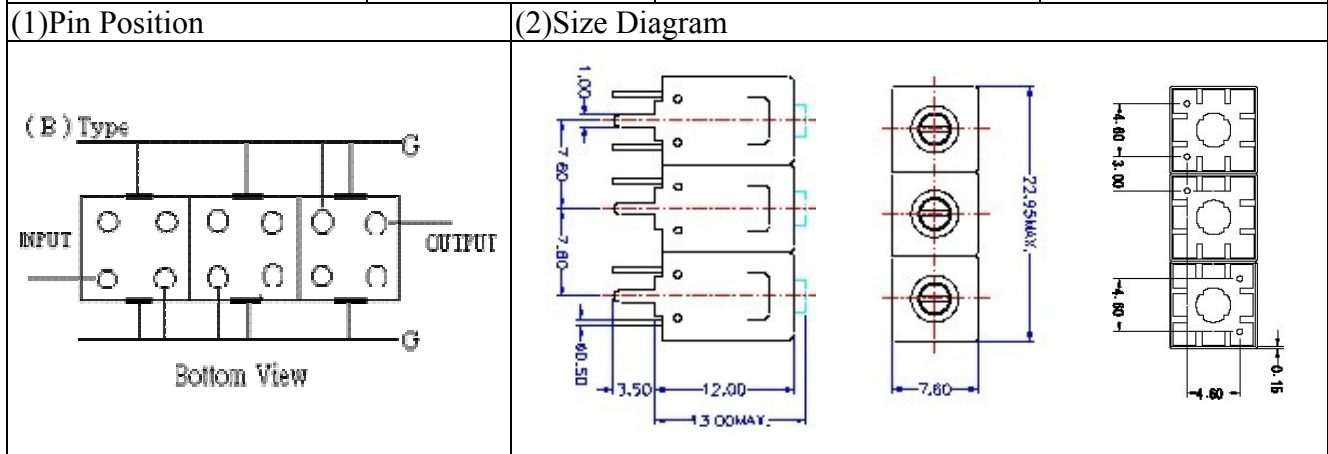


VHF UHF Helical Filter Specification Sheet

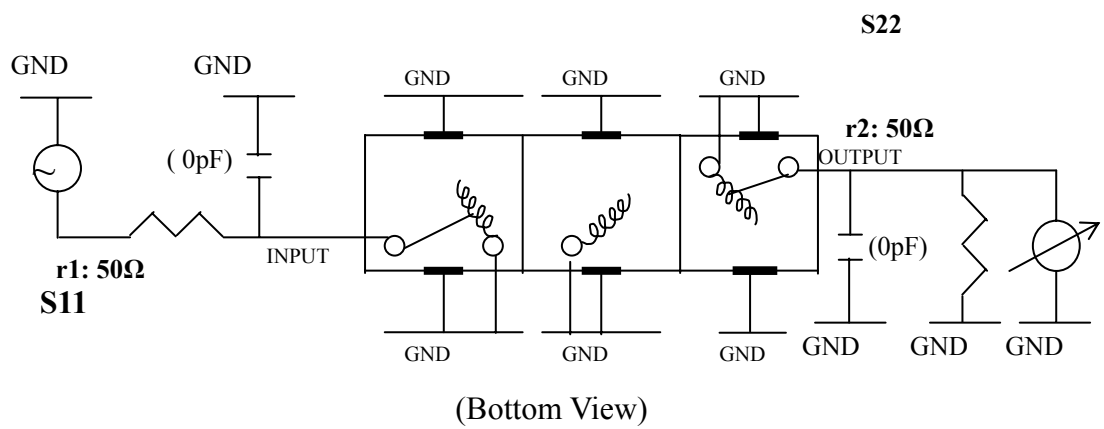
Customer Name		Temwell's Part No.	TT67409B-455M
Approval No. /dated		Temwell's Print name.	67409B 455M
Work Instruction No.	201003009ED	Date	Mar.04.2010



(3) Electric Charasteric

Item	Specify	
Center Freq.(Fo) +/- 0.5 %	455	MHz
Insertion Loss	Typ. 2.0	dB
-3 dB Bandwidth	Typ. 58	MHz
Sensitivity (Attenuation)	Fo - (100) MHz	Typ. 37 dBc
	Fo + (100) MHz	Typ. 25 dBc
	Fo - () MHz	Typ. dBc
	Fo + () MHz	Typ. dBc
Return Loss	Min. 12	dB
Ripple	< 1	dB
Impedance	In / Out : 50 Ω	
(4)Torque for Tuning Screw	> 60gf • cm	
(5)Temperature Condition:		
Operating Temperature	0°C ~ +60°C	
Storage Temperature	-20°C ~ +70°C	
(6)Input Power	> 1Watt	

(7)Measuring Circuit: ※Easy to match Impedance S11/S22 50Ωby parallel with about(0pF) / (0pF).

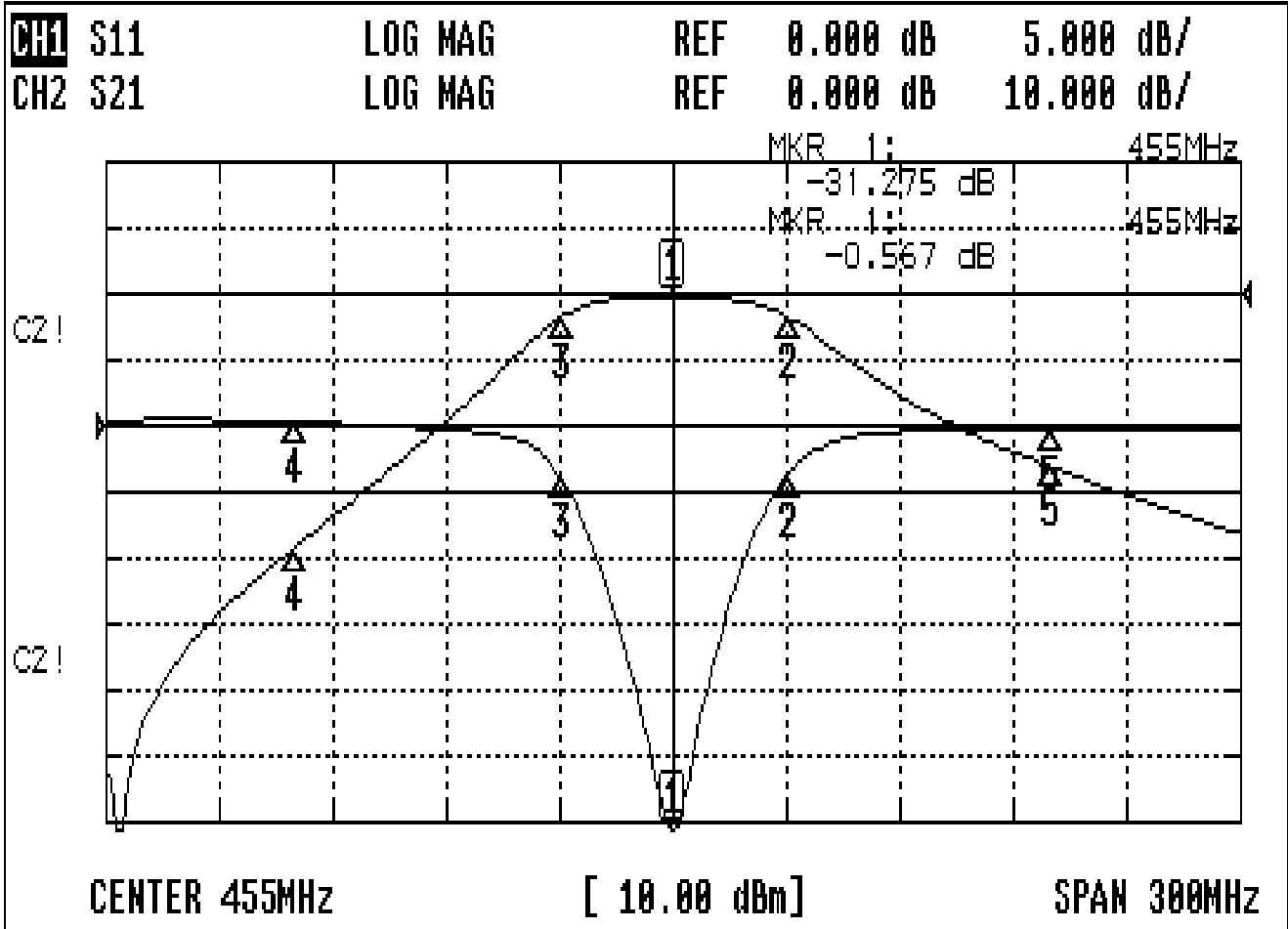


Approval C.Y.Chang	Supervisor C.K.Chang	Designer F.L.Lai	Aperture size 7H3S(4*6.5)(6.59) 7H046LB5.5
-----------------------	-------------------------	---------------------	--

TEMWELL CORPORATION

Performance-TT67409B-455M

201003009ED



CH1 MARKER LIST

1:	455.000MHz	-31.305	dB
2:	485.500MHz	-3.614	dB
3:	425.500MHz	-3.906	dB
4:	355.000MHz	-0.249	dB
5:	555.000MHz	-0.203	dB

CH2 MARKER LIST

1:	455.000MHz	-0.567	dB
2:	485.500MHz	-3.540	dB
3:	425.500MHz	-3.511	dB
4:	355.000MHz	-3.328	dB
5:	555.000MHz	-26.191	dB