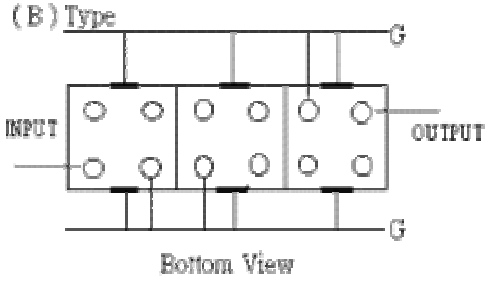
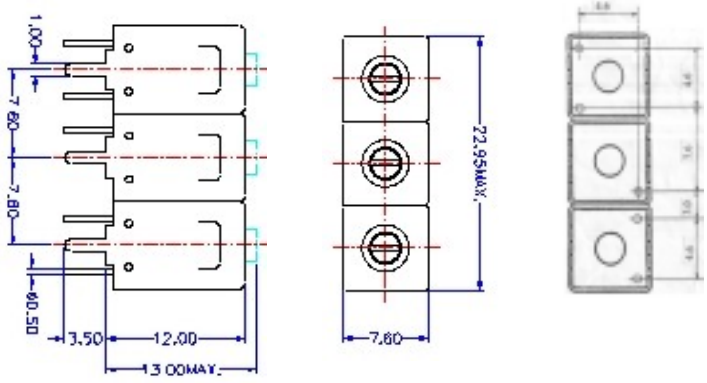


VHF UHF Helical Filter Specification Sheet

Customer Name		Temwell's Part No.	TT67412B-485M
Approval No. /dated	2008175DC	Customer Print Name	
Work Instruction No.	2008175DC	Date	

<p>(1) Pin Position</p>  <p style="text-align: center;">Bottom View</p>	<p>(2) Size Diagram</p> 
--	--

(3) Electric Character

Item	Specify
Center Freq.(Fo) +/- 0.5 %	485 MHz
Tunable Range:	485±3 MHz
Insertion Loss	Typ. 3.0 dB
-3 dB Bandwidth	Typ. 55 MHz
Sensitivity (Attenuation)	Fo - 100 MHz Typ. 34 dBc
	Fo + 100 MHz Typ. 25 dBc
	Fo - ()MHz Typ. dBc
	Fo +()MHz Typ. dBc
Return Loss	Min. 12 dB
Ripple	< 1 dB
Impedance	In / Out : 50 Ω

(4) Torque for Tuning Screw > 100gf cm

(5) Temperature Condition:

Operating Temperature	0 ~ +60
Storage Temperature	-20 ~ +70

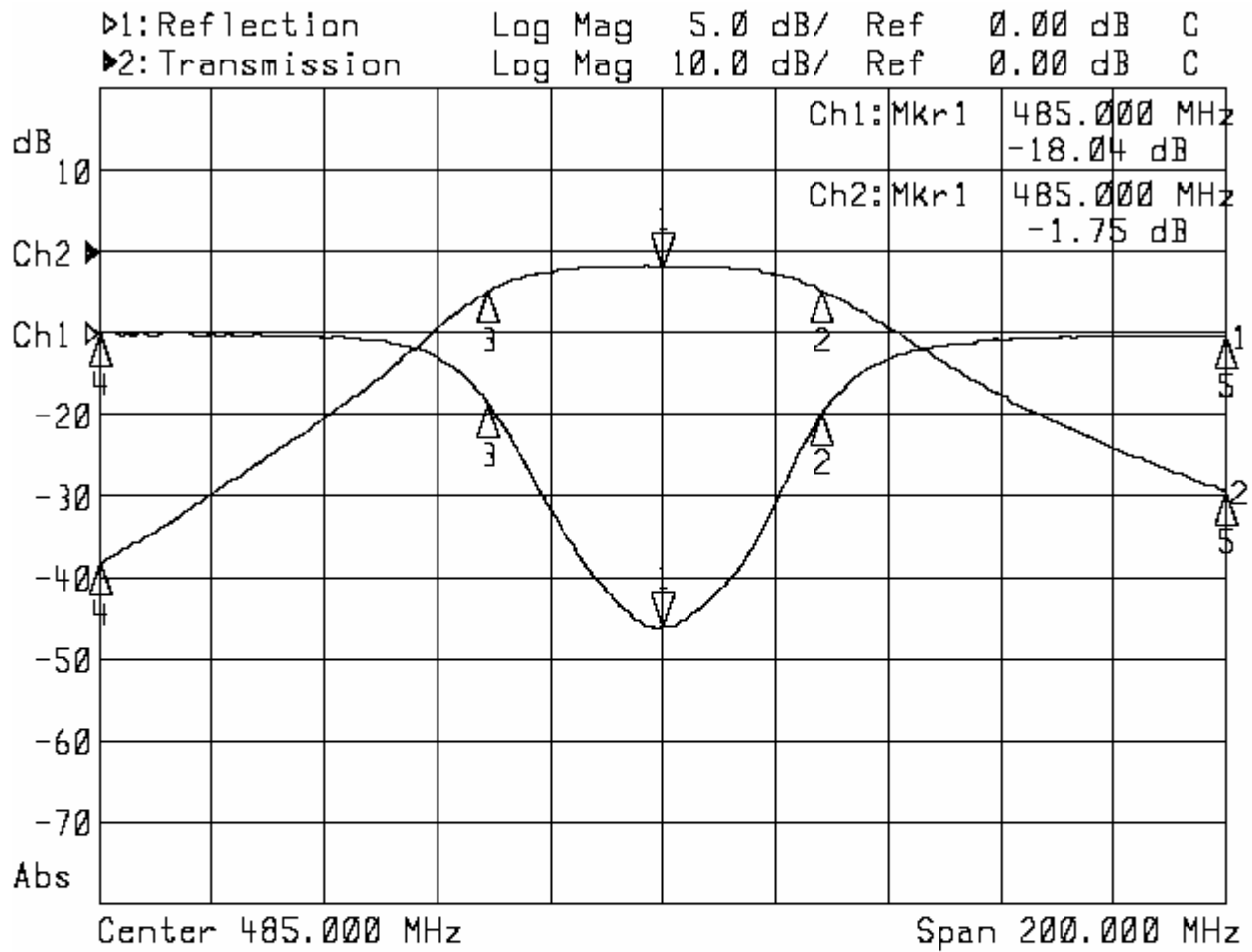
(6) Input Power > 1Watt

Approval	Supervisor	Designer	Aperture size
C.Y.Chang	C.S.Chang	C.S.Chang	7H3S(4*5.5)F 7H046LB5

TEMWELL CORPORATION

Performance-TT67412B-485M

2008175DC



1: Mkr (MHz)	dB	2: Mkr (MHz)	dB
1> 485.00	-18.04	1> 485.00	-1.75
2: 513.36	-4.87	2: 513.36	-4.65
3: 454.10	-4.33	3: 454.10	-4.81
4: 385.48	-0.02	4: 385.48	-38.13
5: 585.00	-0.08	5: 585.00	-29.42