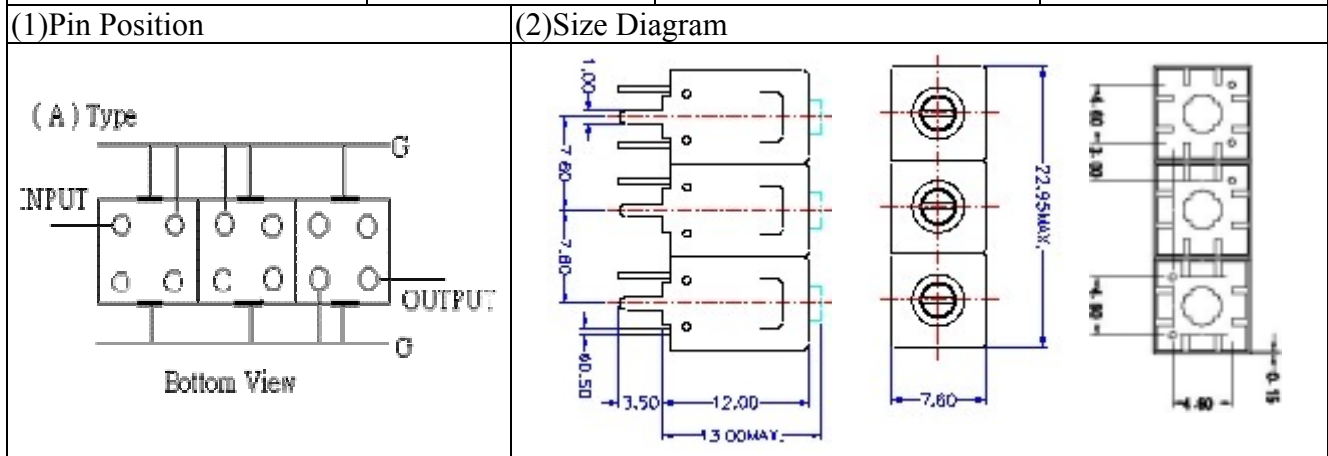
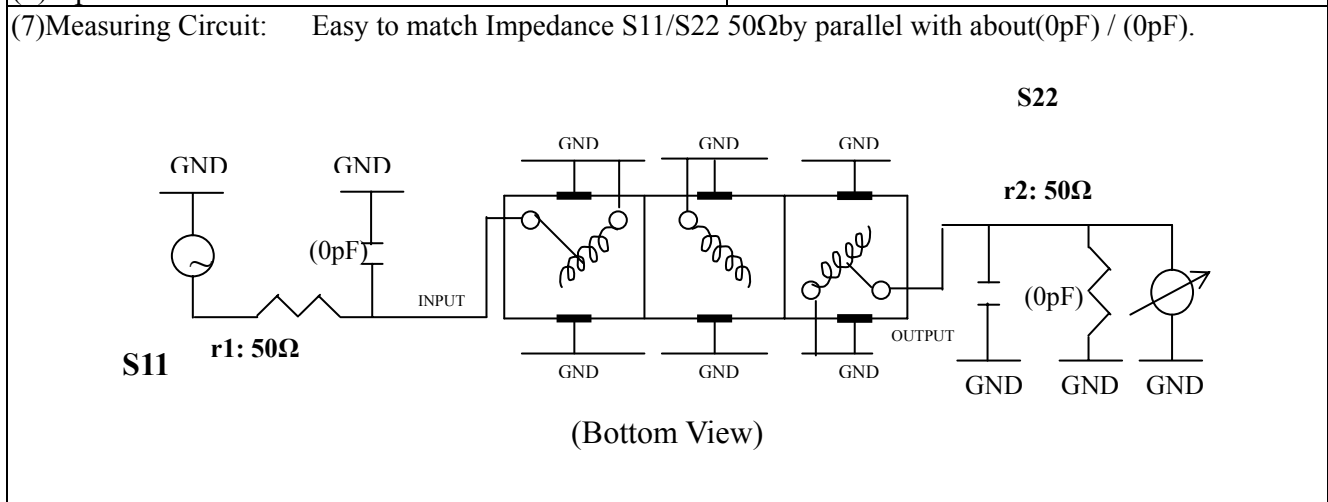


VHF UHF Helical Filter Specification Sheet

Customer Name		Temwell's Part No.	TT67425A-71M
Approval No. /dated	20303012APR	Customer's Print Name.	67425A 71M
Work Instruction No.	200811003C	Date	Dec.05.2008



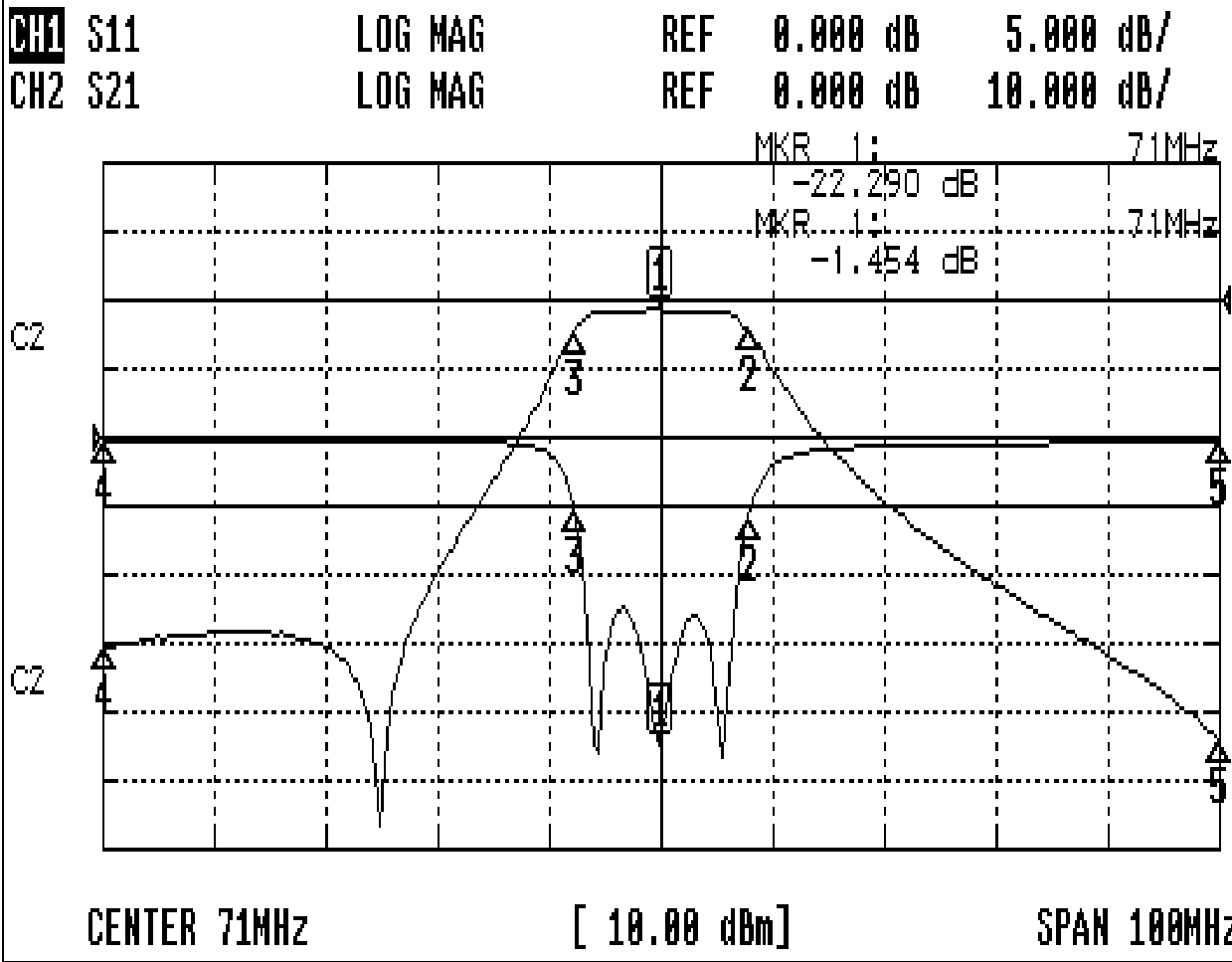
(3) Electric Charasteric	
Item	Specify
Center Freq.(Fo) +/- 0.5 %	71 MHz
Insertion Loss	Typ. 2.0 dB
-3 dB Bandwidth	Typ. 14 MHz
Sensitivity (Attenuation)	Fo - 50 MHz Typ. 45 dBc
	Fo + 50 MHz Typ. 60 dBc
	Fo - ()MHz Typ. dBc
	Fo +()MHz Typ. dBc
Return Loss	Min. 12 dB
Ripple	< 1 dB
Impedance	In / Out : 50 Ω
(4) Torque for Tuning Screw > 100gf cm	
(5) Temperature Condition:	
Operating Temperature	0 ~ +60
Storage Temperature	-20 ~ +70
(6) Input Power > 1Watt	



Approval C.Y.Chang	Supervisor C.S.Chang	Designer W.S.Chen	Aperture size 7H3S(4*8.0F) 7H00LB6
TEMWELL CORPORATION			

Performance-TT67425A-71M

200811003A



CH1 MARKER LIST

Marker	Frequency (MHz)	Magnitude (dB)
1	71.000	-22.290
2	78.820	-5.903
3	68.333	-5.433
4	21.000	-0.222
5	121.000	-0.379

CH2 MARKER LIST

Marker	Frequency (MHz)	Magnitude (dB)
1	71.000	-1.453
2	78.820	-4.400
3	68.333	-4.473
4	21.000	-50.004
5	121.000	-64.242