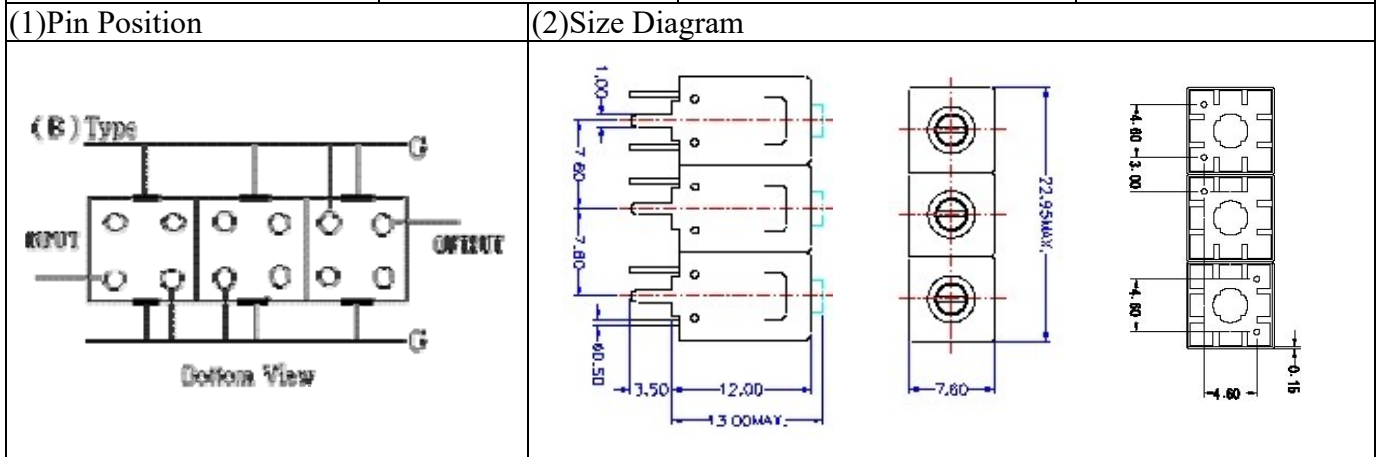


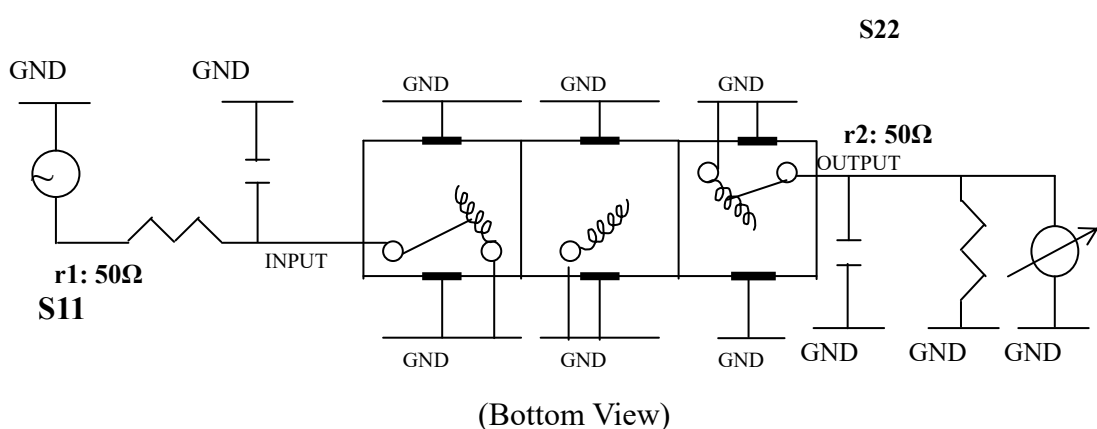
VHF UHF Helical Filter Specification Sheet

Customer Name		Temwell's Part No.	TT67485B-338M
Approval No. /dated		Temwell's Print name.	67485B 338M
Work Instruction No.	201306029B	Date	Jun.03.2013



(3) Electric Chararistic	
Item	Specify
Center Freq.(Fo) +/- 0.5 %	338 MHz
Insertion Loss	Typ. 2.0 dB
-3 dB Bandwidth	Typ. 43 MHz
Sensitivity (Attenuation)	Fo - (100) MHz Typ. 48 dBc
	Fo + (100) MHz Typ. 36 dBc
	Fo - () MHz Typ. dBc
	Fo + () MHz Typ. dBc
Return Loss	Min. 12 dB
Ripple	< 1 dB
Impedance	In / Out : 50 Ω
(4) Torque for Tuning Screw	> 100gf · cm
(5) Temperature Condition:	
Operating Temperature	0°C ~ +60°C
Storage Temperature	-20°C ~ +70°C
(6) Input Power	> 1Watt

(7) Measuring Circuit: ※Easy to match Impedance S11/S22 50Ω by parallel with about(--).



Approval C.Y.Chang	Supervisor C.K.Chang	Designer M.Y.Kang	Aperture size 7H3S(4*6.5)(6.61) 7H046LB5.5
-----------------------	-------------------------	----------------------	--

TEMWELL CORPORATION

Performance-TT67485B-338M

201306029B

