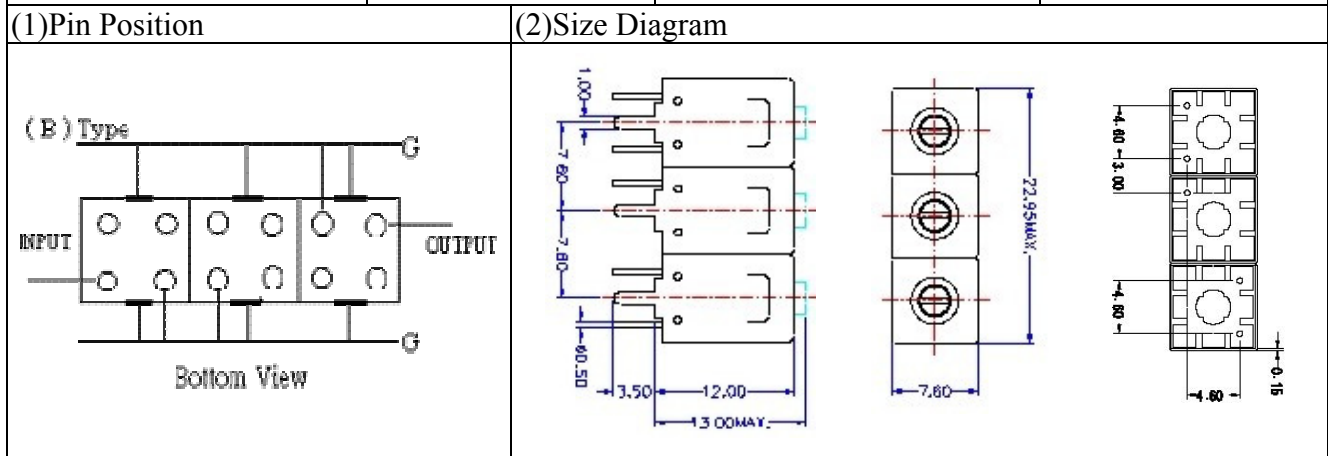
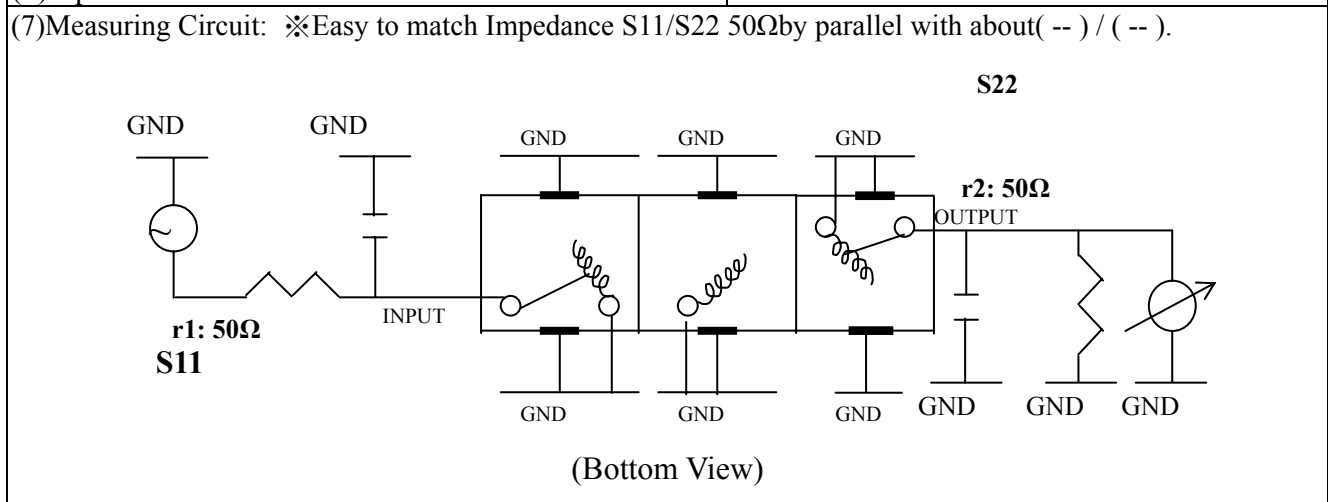


VHF UHF Helical Filter Specification Sheet

Customer Name		Temwell's Part No.	TT67487B-70M
Approval No. /dated	201211048CD	Temwell's Print name.	67487B 70M
Work Instruction No.	201211048CD	Date	Nov.27.2012



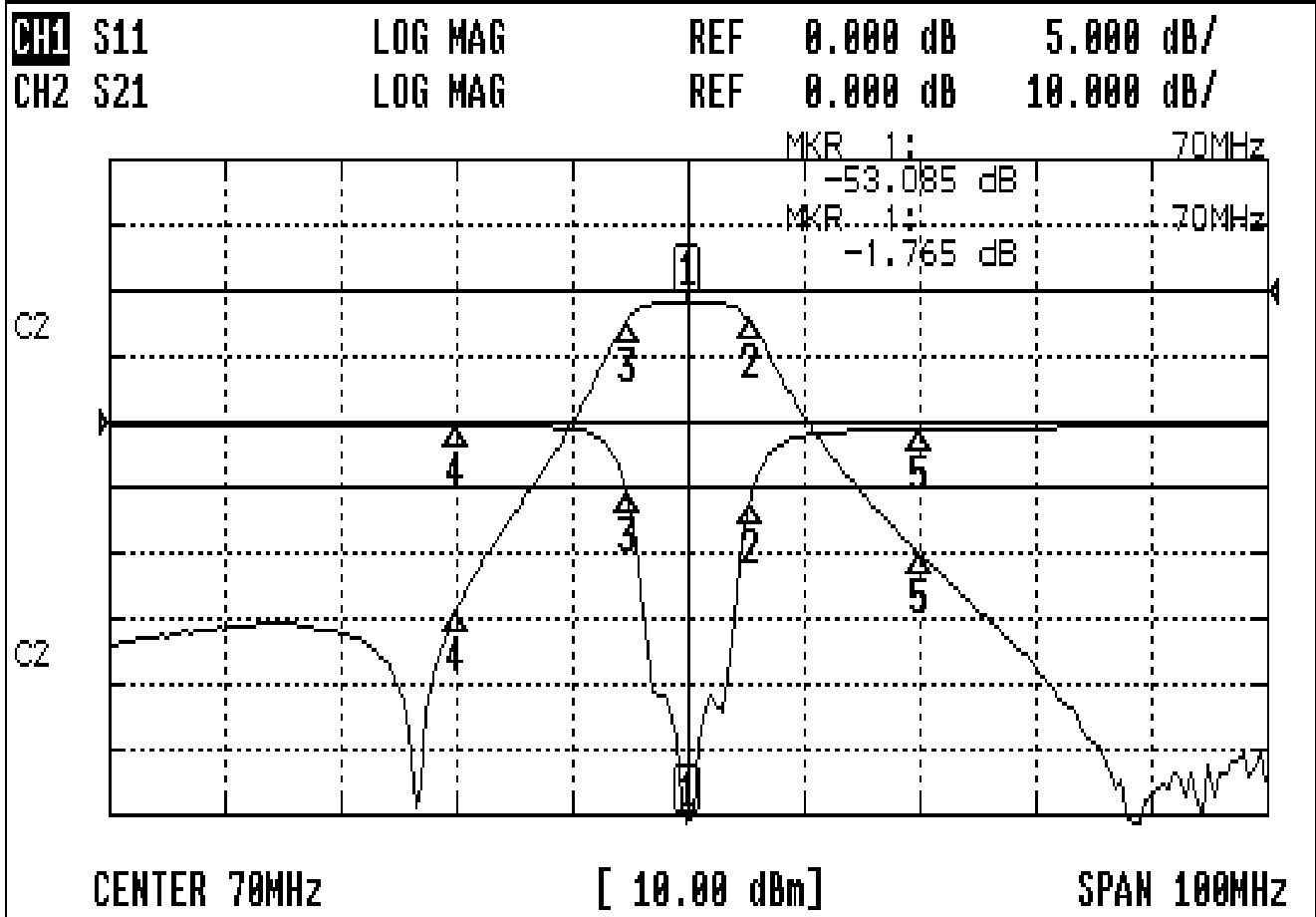
(3) Electric Charasteric	
Item	Specify
Center Freq.(Fo) +/- 0.5 %	70 MHz
Insertion Loss	Typ. 3.0 dB
-3 dB Bandwidth	Typ. 9 MHz
Sensitivity (Attenuation)	Fo - (20) MHz Typ. 45 dBc
	Fo + (20) MHz Typ. 37 dBc
	Fo - () MHz Typ. dBc
	Fo + () MHz Typ. dBc
Return Loss	Min. 12 dB
Ripple	< 1 dB
Impedance	In / Out : 50 Ω
(4) Torque for Tuning Screw > 60gf • cm	
(5) Temperature Condition:	
Operating Temperature	0°C ~ +60°C
Storage Temperature	-20°C ~ +70°C
(6) Input Power > 1Watt	



Approval C.Y.Chang	Supervisor C.K.Chang	Designer M.Y.Kang	Aperture size 7H3S(4*6.5)(6.59) 7H00LB6
-----------------------	-------------------------	----------------------	---

Performance-TT67487B-70M

201211048CD



CH1 MARKER LIST

1:	70.000MHz	-53.085 dB
2:	75.416MHz	-16.024 dB
3:	64.750MHz	-15.502 dB
4:	50.000MHz	-0.278 dB
5:	90.000MHz	-0.547 dB

CH2 MARKER LIST

1:	70.000MHz	-1.766 dB
2:	75.416MHz	-4.792 dB
3:	64.750MHz	-4.704 dB
4:	50.000MHz	-48.831 dB
5:	90.000MHz	-40.052 dB