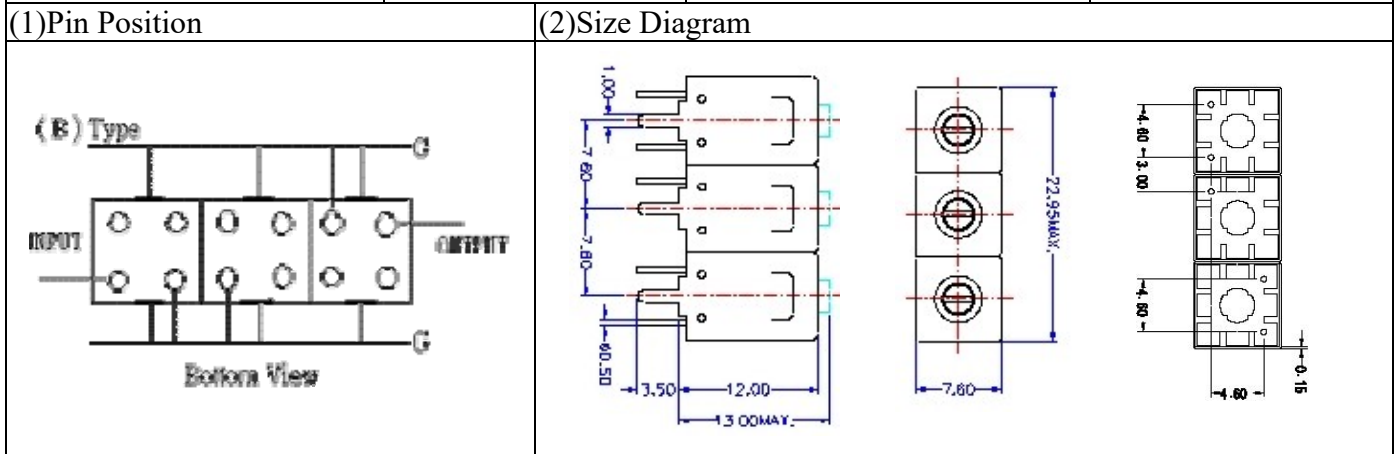


# VHF UHF Helical Filter Specification Sheet

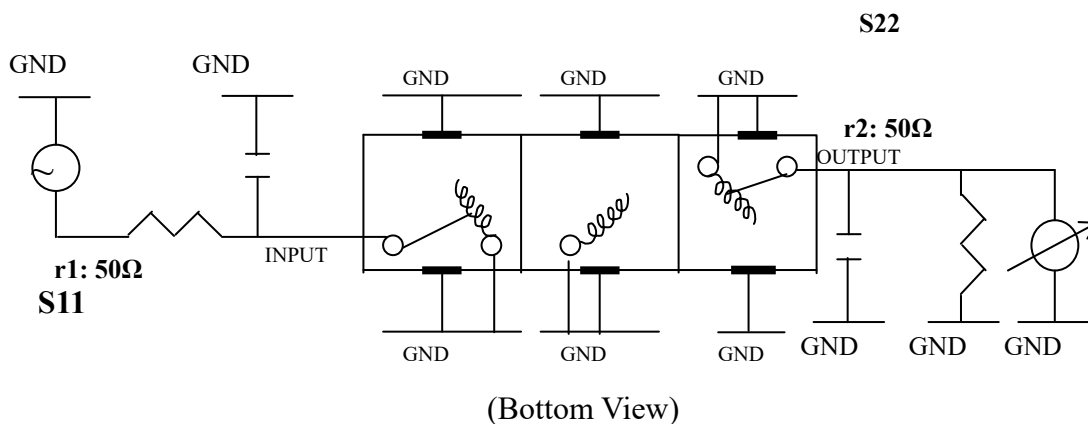
Customer Name		Temwell's Part No.	TT67491B-465M
Approval No. /dated		Temwell's Print name.	67491B 465M
Work Instruction No.	201603051A	Date	Mar.8.2016



(3) Electric Chararistic		Item	Specify
Center Freq.(Fo) +/- 0.5 %			465 MHz
Insertion Loss		Typ.	2.5 dB
-3 dB Bandwidth		Typ.	18 MHz
Sensitivity (Attenuation)	Fo - (50) MHz	Typ.	42 dB
	Fo + (50) MHz	Typ.	36 dB
	Fo - ( ) MHz	Typ.	dB
	Fo + ( ) MHz	Typ.	dB
Return Loss		Min.	12 dB
Ripple			< 1 dB
Impedance			In / Out : 50 Ω
(4) Torque for Tuning Screw			> 100gf · cm

(5) Temperature Condition:		
Operating Temperature		0°C ~ +60°C
Storage Temperature		-20°C ~ +70°C
(6) Input Power		> 1 Watt

(7) Measuring Circuit: ※Easy to match Impedance S11/S22 50Ω by parallel with about(--)/ (--).

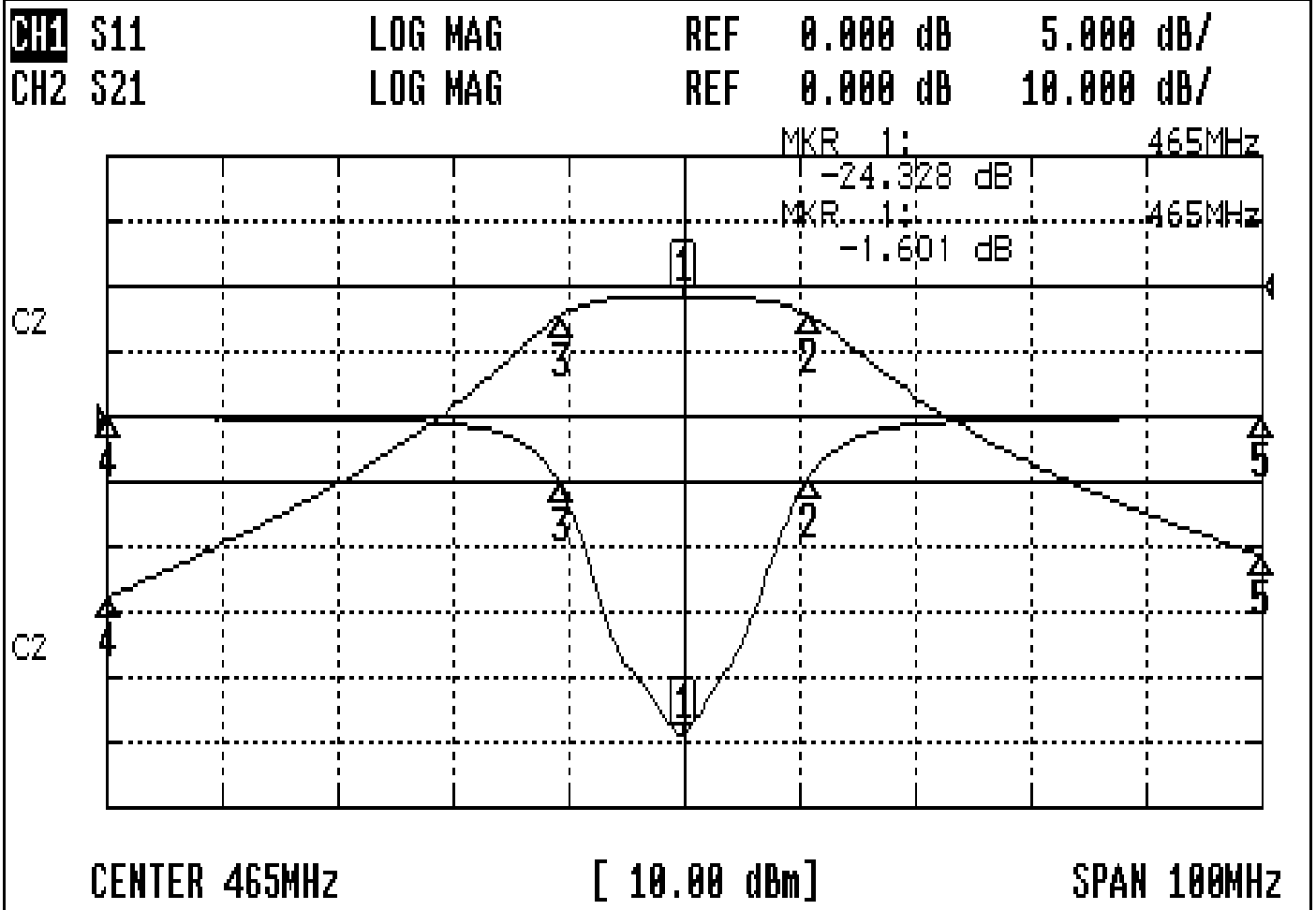


Approval C.Y.Chang	Supervisor C.K.Chang	Designer F.L.Lai	Aperture size 7H3S(4*6.5)(6.60) 7H046LB4.3 聚 3
-----------------------	-------------------------	---------------------	--

TEMWELL CORPORATION

# Performance-TT67491B-465M

## 201603051A



### CH1 MARKER LIST

1:	465.000MHz	-24.328	dB
2:	475.833MHz	-4.658	dB
3:	454.250MHz	-5.257	dB
4:	415.000MHz	-0.106	dB
5:	515.000MHz	-0.098	dB

### CH2 MARKER LIST

1:	465.000MHz	-1.603	dB
2:	475.833MHz	-4.620	dB
3:	454.250MHz	-4.611	dB
4:	415.000MHz	-47.641	dB
5:	515.000MHz	-41.343	dB