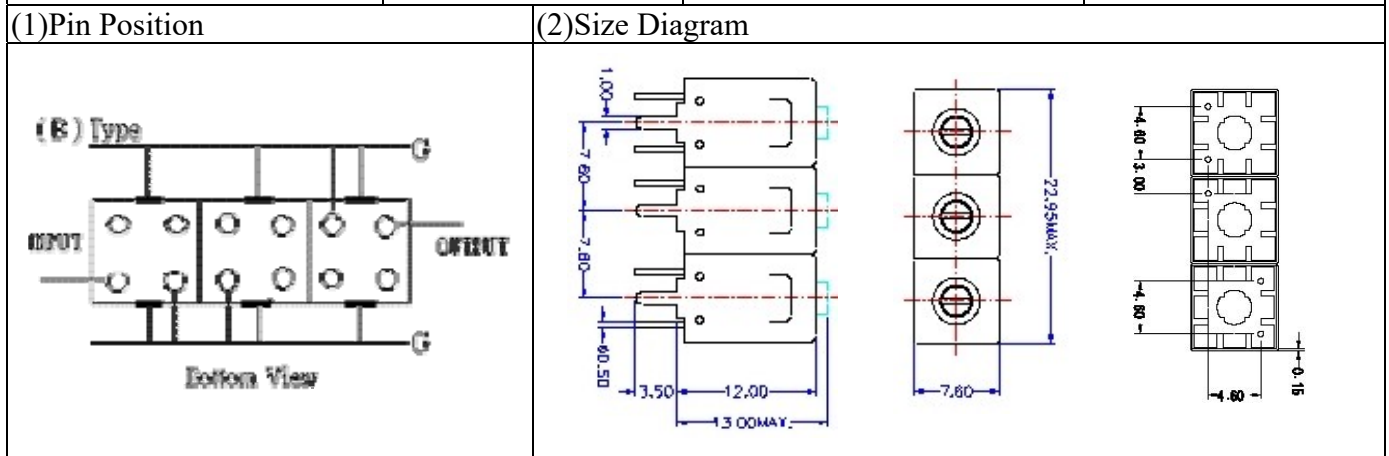


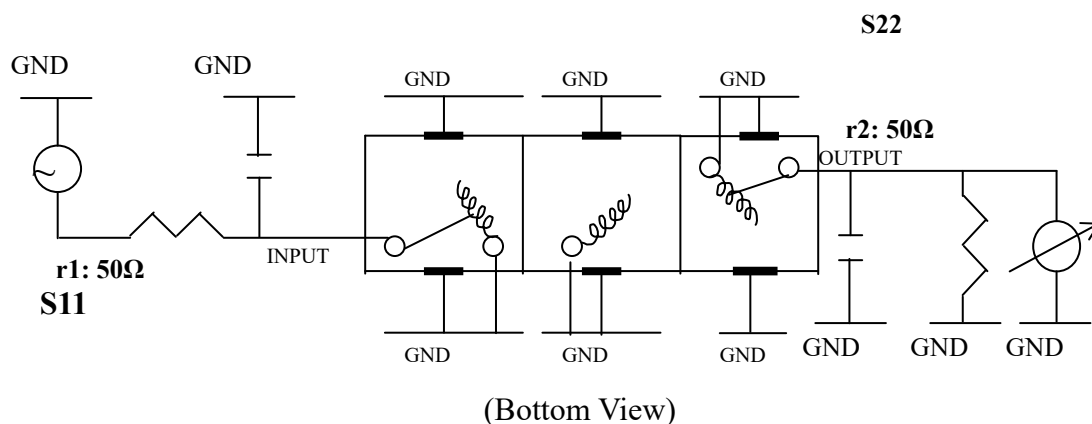
# VHF UHF Helical Filter Specification Sheet

Customer Name		Temwell's Part No.	TT67497B-550M
Approval No. /dated		Temwell's Print name.	67497B 550M
Work Instruction No.	201303058BD	Date	Mar.12.2013



(3) Electric Characteristic	
Item	Specify
Center Freq.(Fo) +/- 0.5 %	550 MHz
Insertion Loss	Typ. 2.0 dB
-3 dB Bandwidth	Typ. 70 MHz
Sensitivity (Attenuation)	Fo - ( 100 ) MHz Typ. 31 dBc
	Fo + ( 100 ) MHz Typ. 23 dBc
	Fo - ( ) MHz Typ. dBc
	Fo + ( ) MHz Typ. dBc
Return Loss	Min. 12 dB
Ripple	< 1 dB
Impedance	In / Out : 50 Ω
(4) Torque for Tuning Screw	> 60gf · cm
(5) Temperature Condition:	
Operating Temperature	0°C ~ +60°C
Storage Temperature	-20°C ~ +70°C
(6) Input Power	> 1Watt

(7) Measuring Circuit: ※Easy to match Impedance S11/S22 50Ω by parallel with about( -- )



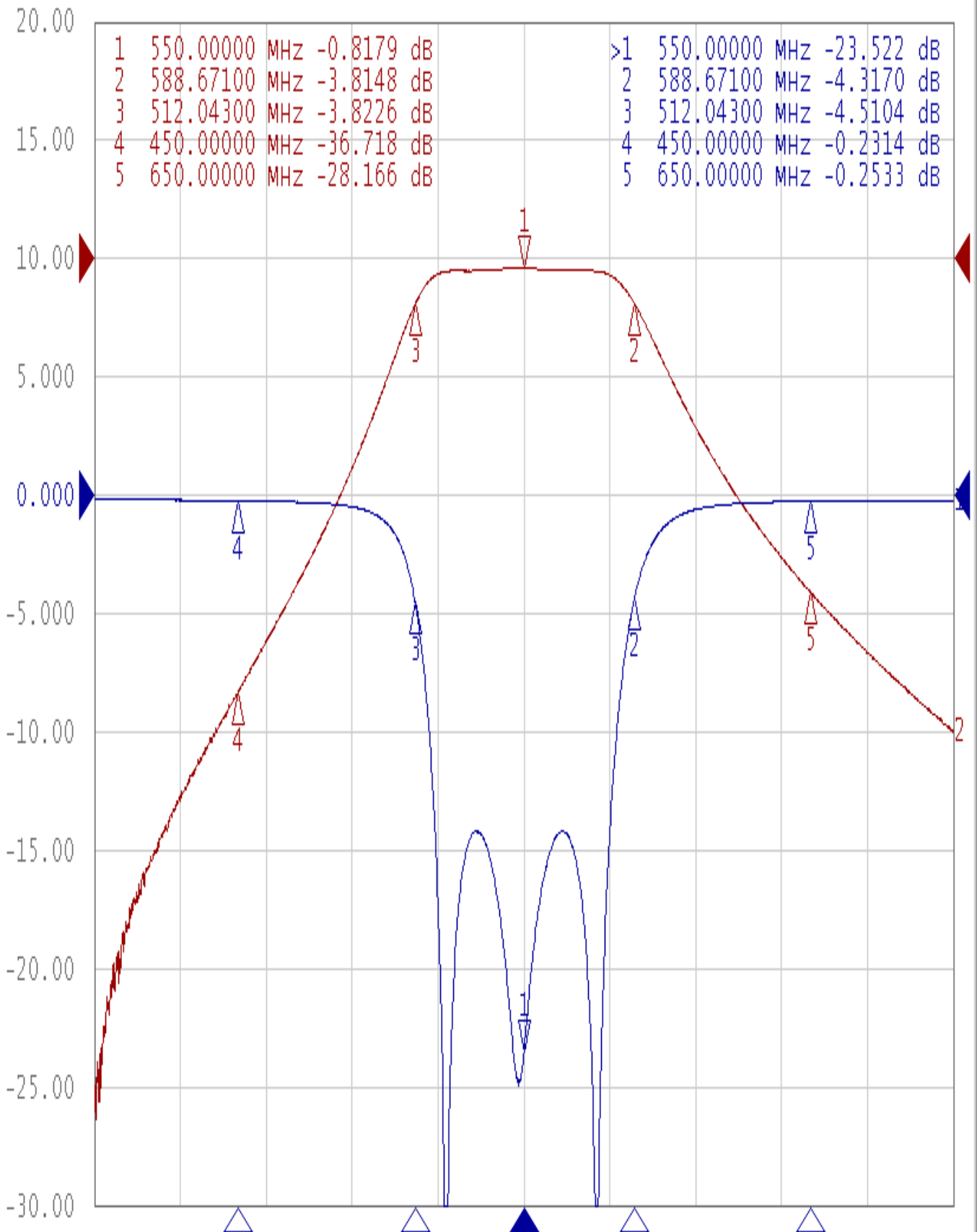
Approval C.Y.Chang	Supervisor C.K.Chang	Designer C.S.Chang	Aperture size 7H3S(4*8.0)(8.02) 7H046LB5.5
-----------------------	-------------------------	-----------------------	--

TEMWELL CORPORATION

# Performance-TT67497B-550M

## 201303058BD

▶ Tr1 S11 Log Mag 5.000dB/ Ref 0.000dB [F2]  
Tr2 S21 Log Mag 10.00dB/ Ref 0.000dB [F2]



1 Center 550 MHz

IFBW 10 kHz

Span 300 MHz Cor !