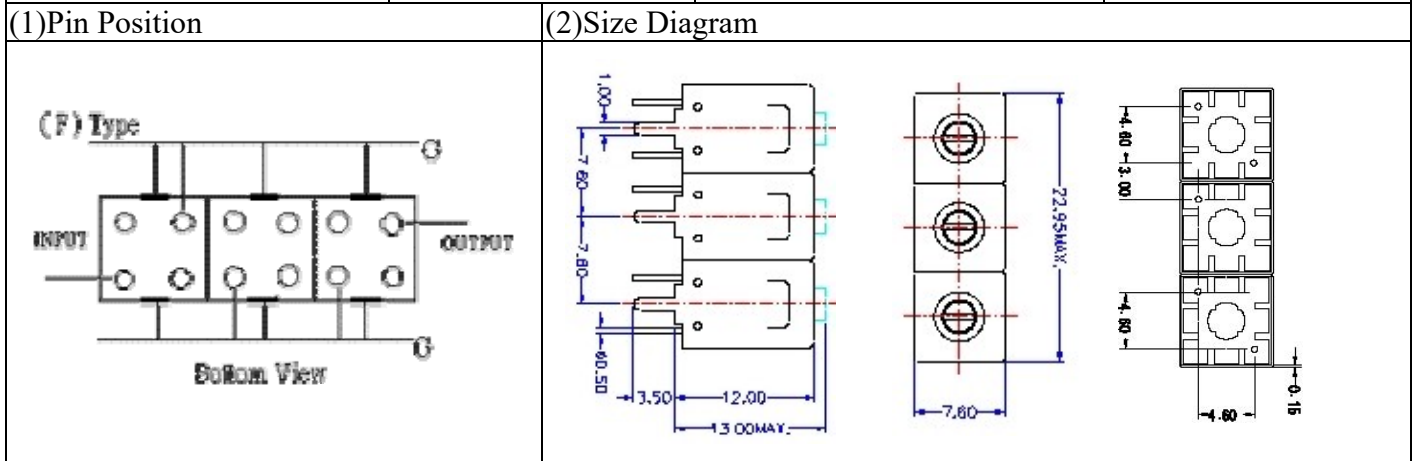


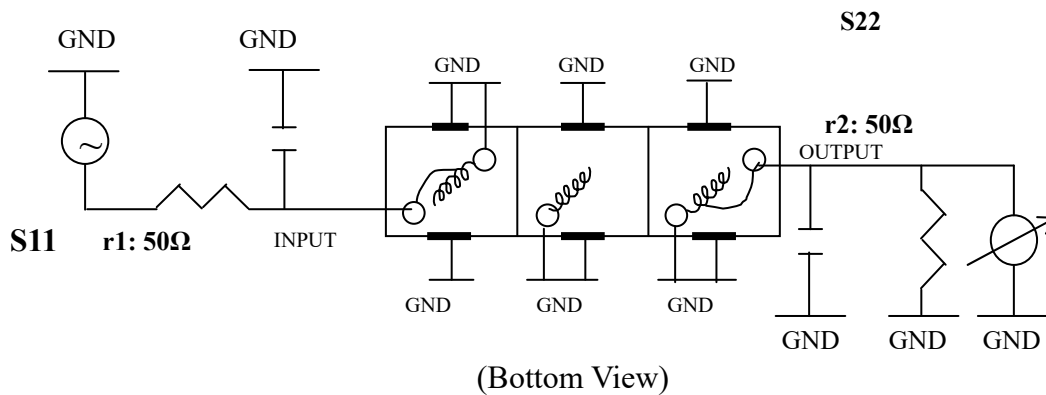
VHF UHF Helical Filter Specification Sheet

Customer Name		Temwell's Part No.	TT67499F-630M
Approval No. /dated		Temwell's print name	67499F 630M
Work Instruction No.	201306028B	Date	Jun.03.2013



(3) Electric Characteristic		Item	Specify
		Center Freq.(Fo) +/- 0.5 %	630 MHz
		Insertion Loss	Typ. 2.5 dB
		-3 dB Bandwidth	Typ. 70 MHz
Sensitivity (Attenuation)	Fo - 100 MHz	Typ. 36 dBc	
	Fo + 100 MHz	Typ. 18 dBc	
	Fo - ()MHz	Typ. dBc	
	Fo +()MHz	Typ. dBc	
		Return Loss	Min. 12 dB
		Ripple	< 1 dB
		Impedance	In / Out : 50 Ω
(4) Torque for Tuning Screw			> 60gf · cm
(5) Temperature Condition:			
Operating Temperature			0°C ~ +60°C
Storage Temperature			-20°C ~ +70°C
(6) Input Power			> 1Watt

(7) Measuring Circuit: ※Easy to match Impedance S11/S22 50Ω by parallel with about(--) .



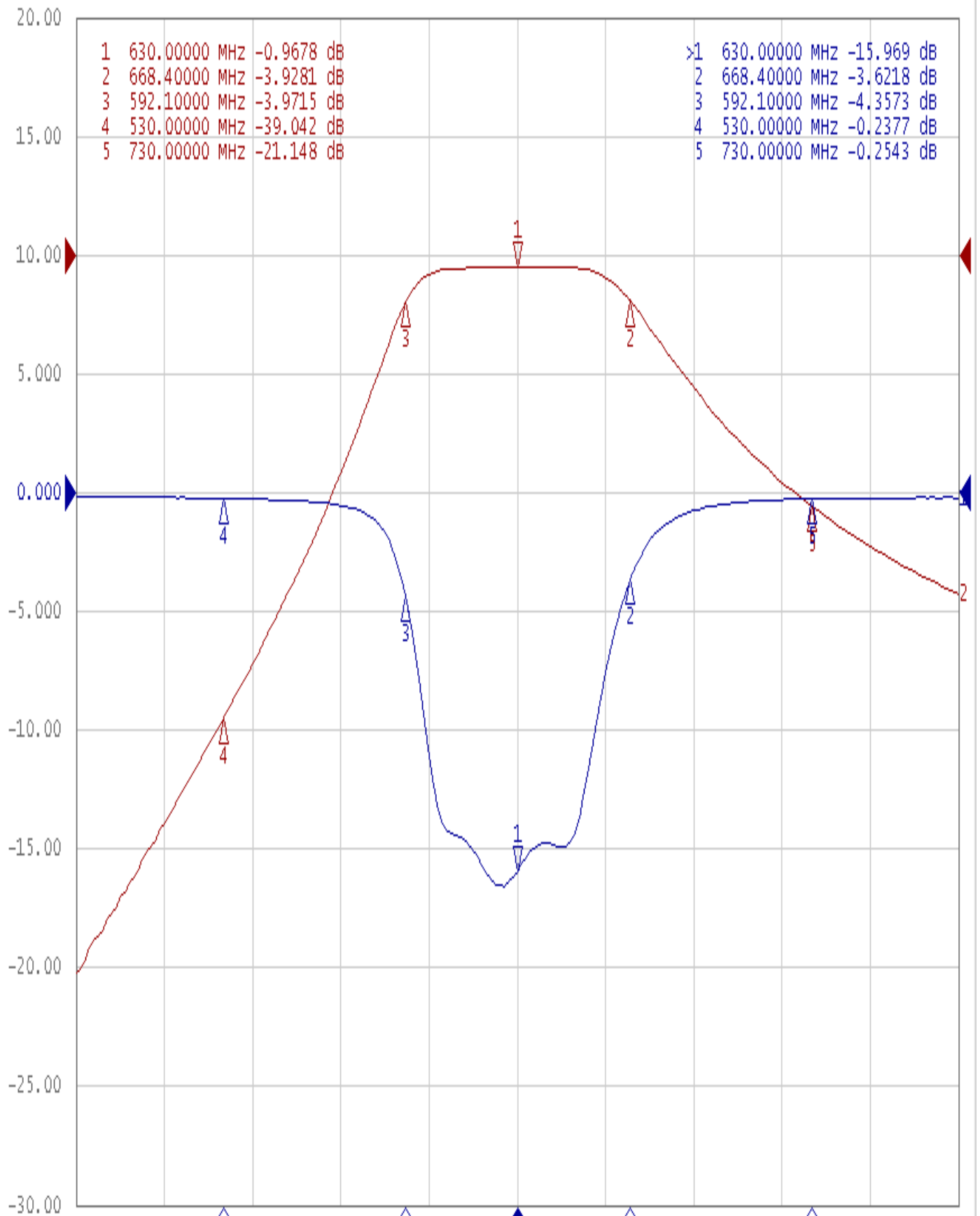
Approval	Supervisor	Designer	Aperture size
C.Y.Chang	C.S.Chang	F.L.Lai	7H3S(4*8.0)(8.02) 7H046LB5.5

TEMWELL CORPORATION

Performance-TT67499F-630M

201306028B

Tr1 S11 Log Mag 5.000dB/ Ref 0.000dB [F2]
Tr2 S21 Log Mag 10.00dB/ Ref 0.000dB [F2]



1 Center 630 MHz

IFBW 70 kHz

Span 300 MHz Cor