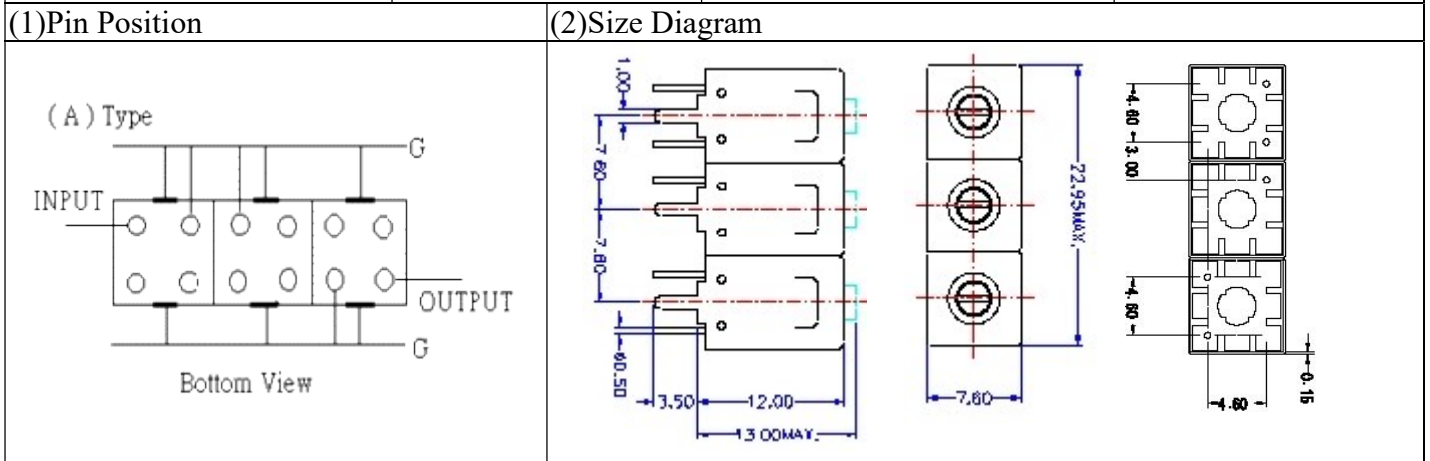


VHF UHF Helical Filter Specification Sheet

| | | | |
|----------------------|------------|----------------------|------------------|
| Customer Name | | Temwell's Part No. | TT67524A-55.25M |
| Approval No. /dated | | Temwell's Print Name | 67524A 55.25M |
| Work Instruction No. | 201310076A | Date | Dec.02.2013 |



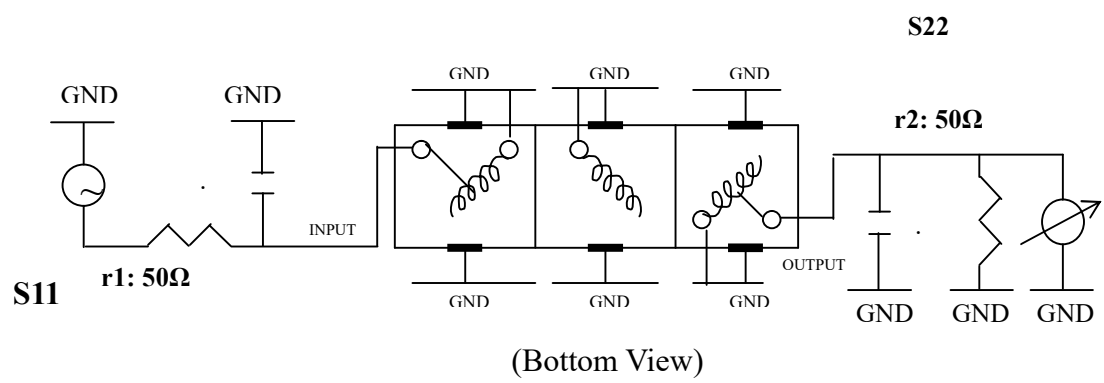
| (3) Electric Characteristic | | Item | Specify | Unit |
|------------------------------|-------------|----------------------------|-----------------|------|
| | | Center Freq.(Fo) +/- 0.5 % | 55.25 | MHz |
| | | Insertion Loss | Typ. 3.0 | dB |
| | | -3 dB Bandwidth | Typ. 7 | MHz |
| Sensitivity (Attenuation) | Fo - 10 MHz | Typ. 25 | dB | |
| | Fo + 10 MHz | Typ. 25 | dB | |
| | Fo - ()MHz | Typ. | dB | |
| | Fo + ()MHz | Typ. | dB | |
| | | Return Loss | Min. 12 | dB |
| | | Ripple | < 1 | dB |
| | | Impedance | In / Out : 50 Ω | |

(4) Torque for Tuning Screw > 60gf • cm

| (5) Temperature Condition: | |
|----------------------------|---------------|
| Operating Temperature | 0°C ~ +60°C |
| Storage Temperature | -20°C ~ +70°C |

(6) Input Power > 1Watt

(7) Measuring Circuit: ※Easy to match Impedance S11/S22 50Ω by parallel with about(--).

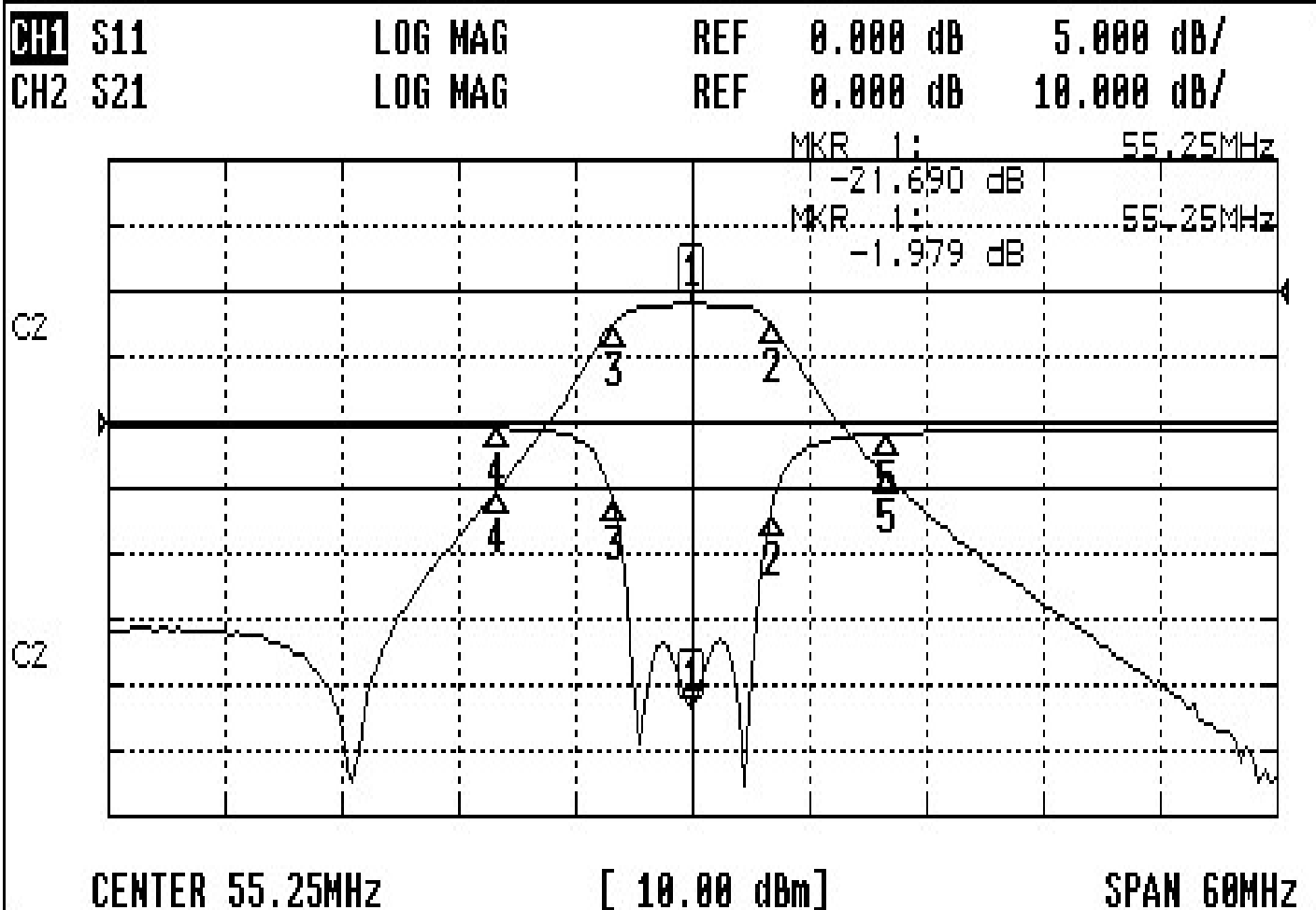


| | | | |
|-----------------------|-------------------------|----------------------|---|
| Approval C.Y.Chang | Supervisor C.K.Chang | Designer M.Y.Kang | Aperture size 7H3S(4*6.5)(6.60) 7H00LB6 |
|-----------------------|-------------------------|----------------------|---|

TEMWELL CORPORATION

Performance-TT67524A-55.25M

201310076A



CH1 MARKER LIST

| | | | |
|----|-----------|---------|----|
| 1: | 55.250MHz | -21.690 | dB |
| 2: | 59.300MHz | -6.961 | dB |
| 3: | 51.200MHz | -6.067 | dB |
| 4: | 45.250MHz | -0.421 | dB |
| 5: | 65.250MHz | -0.841 | dB |

CH2 MARKER LIST

| | | | |
|----|-----------|---------|----|
| 1: | 55.250MHz | -1.979 | dB |
| 2: | 59.300MHz | -4.935 | dB |
| 3: | 51.200MHz | -4.962 | dB |
| 4: | 45.250MHz | -30.335 | dB |
| 5: | 65.250MHz | -28.130 | dB |