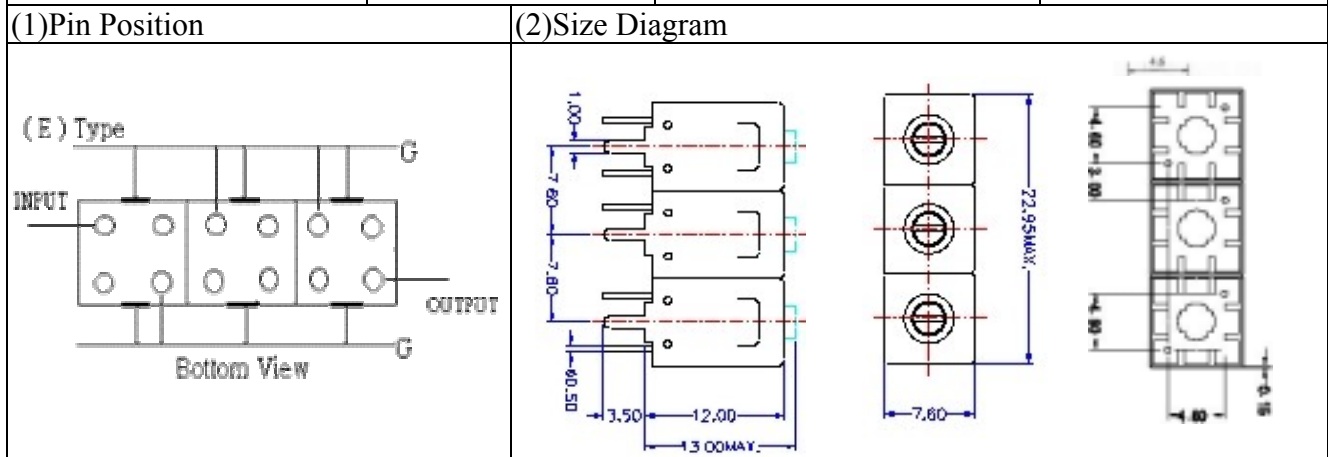


VHF UHF Helical Filter Specification Sheet

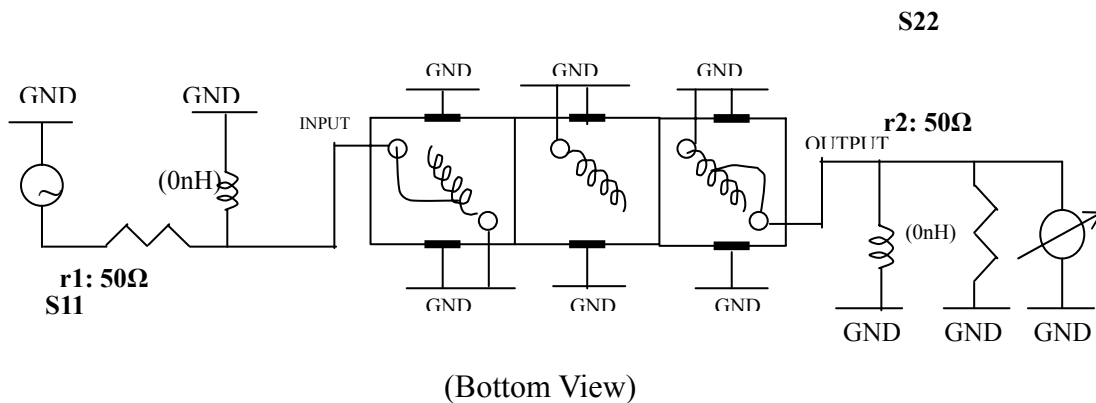
Customer Name		Temwell's Part No.	TT67548E-895.5M
Approval No. /dated		Customer's Part No.	67548E 895.5M
Work Instruction No.	200809077C	Date	Oct.01.2008



(3)Electric Charasteric

Item	Specify	
Center Freq.(Fo) +/- 0.5 %	895.5	MHz
Insertion Loss	Typ. 2.0	dB
-1 dB Bandwidth	Typ. 30	MHz
-3 dB Bandwidth	Typ. 40	MHz
Sensitivity (Attenuation)	Fo - 150 MHz	Typ. 36 dBc
	Fo + 150 MHz	Typ. 45 dBc
	Fo - ()MHz	Typ. dBc
	Fo +()MHz	Typ. dBc
Return Loss	Min. 12	dB
Ripple	< 1	dB
Impedance	In / Out : 50 Ω	
(4)Torque for Tuning Screw	> 100gf cm	
(5)Temperature Condition:		
Operating Temperature	0 ~ +60	
Storage Temperature	-20 ~ +70	
(6)Input Power	> 1Watt	

(7)Measuring Circuit: Easy to match Impedance S11/S22 50Ω/50Ω by parallel with about(0nH) / (0nH).

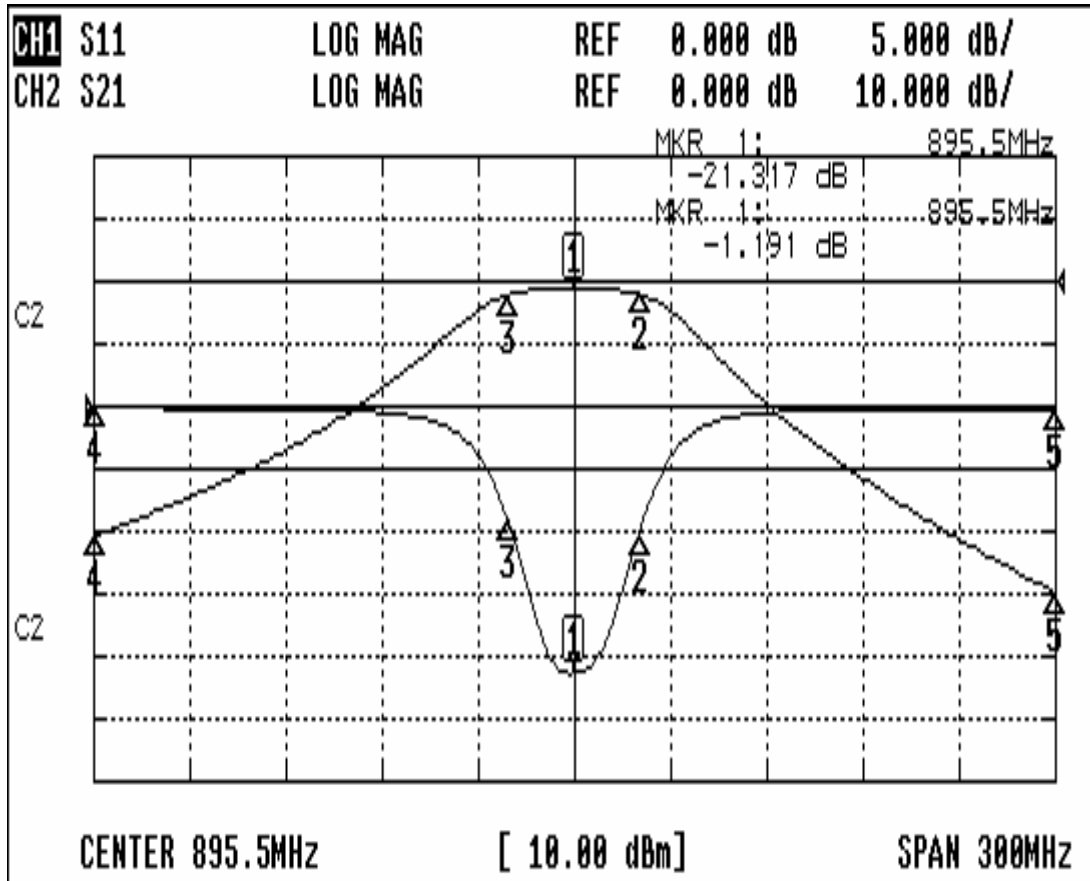


Approval	Supervisor	Designer	Aperture size
C.Y.Chang	C.S.Chang	C.H.Yeh	7H3S(4*5.5F) (7H046LB5)

TEMWELL CORPORATION

Performance-TT67548E-895.5M

200809077C



CH1 MARKER LIST

1:	895.500MHz	-21.317 dB
2:	915.750MHz	-10.211 dB
3:	875.000MHz	-9.069 dB
4:	745.500MHz	-0.123 dB
5:	1.045 500GHz	-0.180 dB
6:		
7:		
8:		
9:		
10:		

CH2 MARKER LIST

1:	895.500MHz	-1.191 dB
2:	915.750MHz	-2.109 dB
3:	875.000MHz	-2.125 dB
4:	745.500MHz	-40.771 dB
5:	1.045 500GHz	-49.986 dB
6:		
7:		
8:		
9:		
10:		