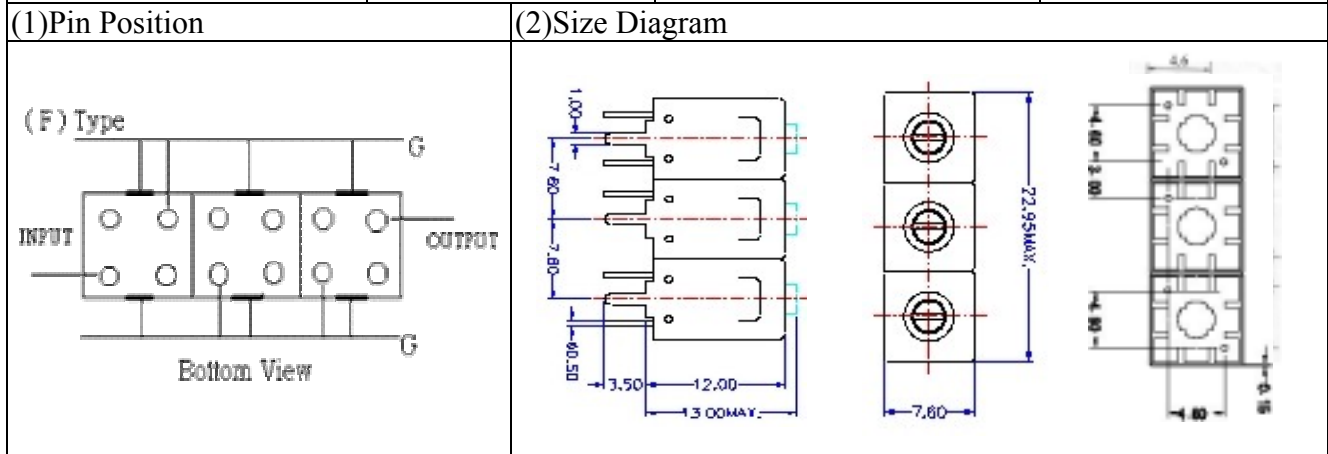


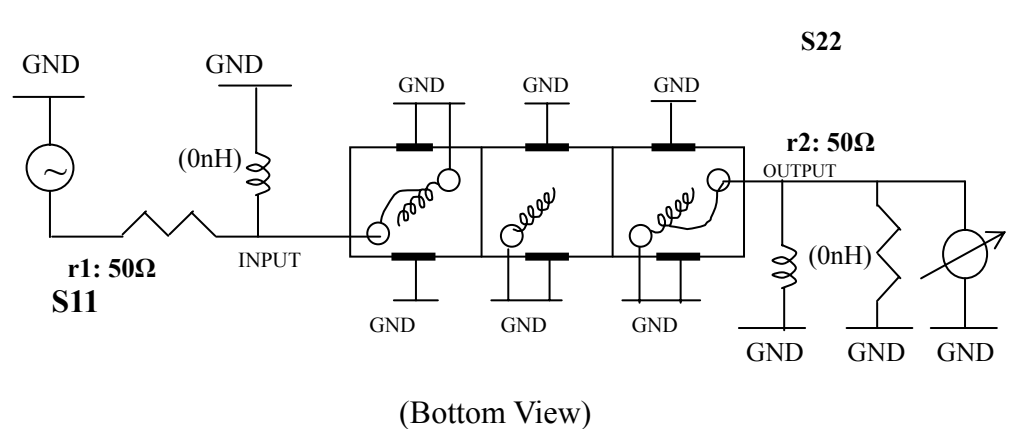
VHF UHF Helical Filter Specification Sheet

Customer Name		Temwell's Part No.	TT67551F-1030M
Approval No. /dated		Customer's Print Name.	67551F 1030M
Work Instruction No.	200810003CD	Date	Oct.02.2008



(3) Electric Charasteric		Item	Specify
		Center Freq.(Fo) +/- 0.5 %	1030 MHz
		Insertion Loss	Typ. 2.5 dB
		-1 dB Bandwidth	Typ. 20 MHz
		-3 dB Bandwidth	Typ. 25 MHz
Sensitivity (Attenuation)	Fo - 100 MHz	Typ. 45 dBc	
	Fo + 100 MHz	Typ. 26 dBc	
	Fo - ()MHz	Typ. dBc	
	Fo +()MHz	Typ. dBc	
		Return Loss	Min. 12 dB
		Ripple	< 1 dB
		Impedance	In / Out : 50 Ω
(4) Torque for Tuning Screw			> 100gf cm
(5) Temperature Condition:			
Operating Temperature			0 ~ +60
Storage Temperature			-20 ~ +70
(6) Input Power			> 1Watt

(7) Measuring Circuit: Easy to match Impedance S11/S22 50Ω by parallel with about(0nH) / (0nH).



Approval	Supervisor	Designer	Aperture size
C.Y.Chang	C.S.Chang	C.S.Chang	7H3S(4*7.35F) (7H046LB4 聚 3)

TEMWELL CORPORATION

Performance-TT67551F-1030M

200810003CD

