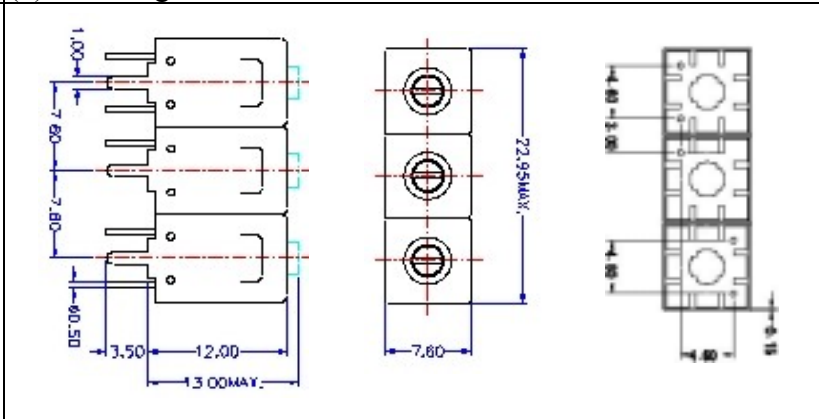
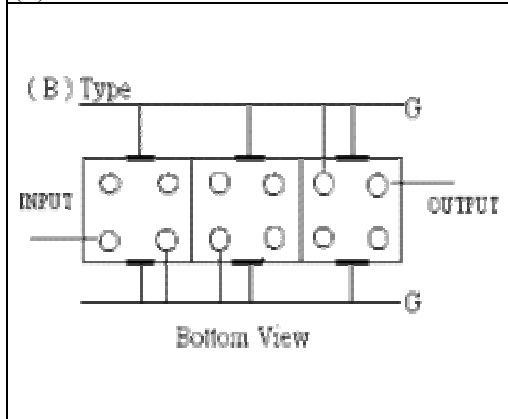


# VHF UHF Helical Filter Specification Sheet

Customer Name		Temwell's Part No.	TT67553B-461M
Approval No. /dated	0712084AD	Customer Print Name	
Work Instruction No.	0712084AD	Date	Jan.23.2008

**(1) Pin Position**

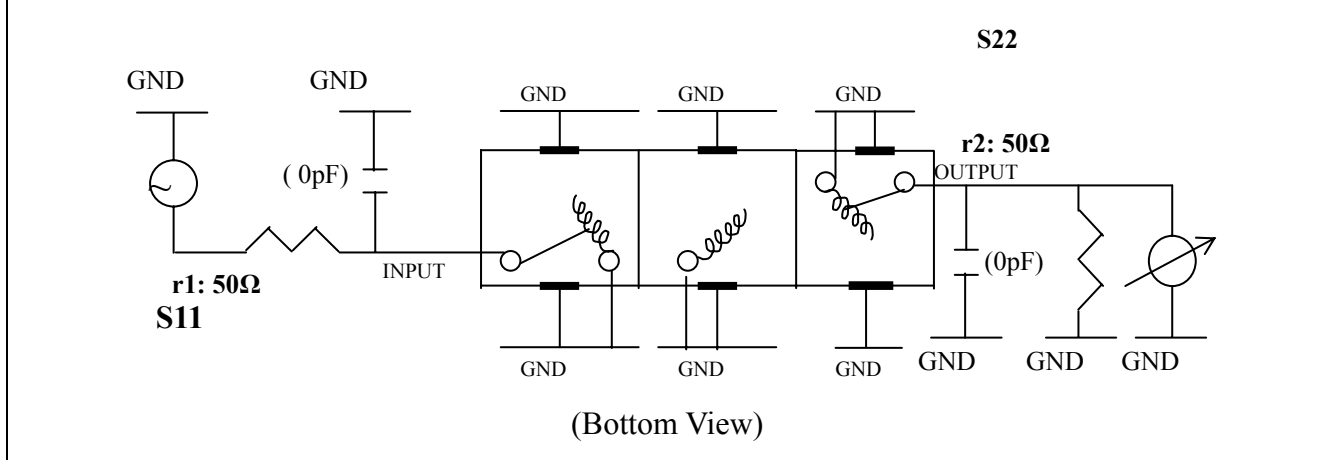
**(2) Size Diagram**



**(3) Electric Characteristic**

Item	Specify
Center Freq.(Fo) +/- 0.5 %	461 MHz
Tunable Range:	461±5 MHz
Insertion Loss	Typ. 3.0 dB
-3 dB Bandwidth	Typ. 14 MHz
Sensitivity (Attenuation)	Fo - 50 MHz Typ. 49 dBc
	Fo + 50 MHz Typ. 31 dBc
	Fo - ( )MHz Typ. dBc
	Fo +( )MHz Typ. dBc
Return Loss	Min. 12 dB
Ripple	< 1 dB
Impedance	In / Out : 50 Ω
<b>(4) Torque for Tuning Screw</b>	
> 100gf cm	
<b>(5) Temperature Condition:</b>	
Operating Temperature	-0 ~ +60
Storage Temperature	-20 ~ +70
<b>(6) Input Power</b>	
> 1Watt	

**(7) Measuring Circuit:** Easy to match Impedance S11/S22 50Ω by parallel with about(0pF) / (0pF).

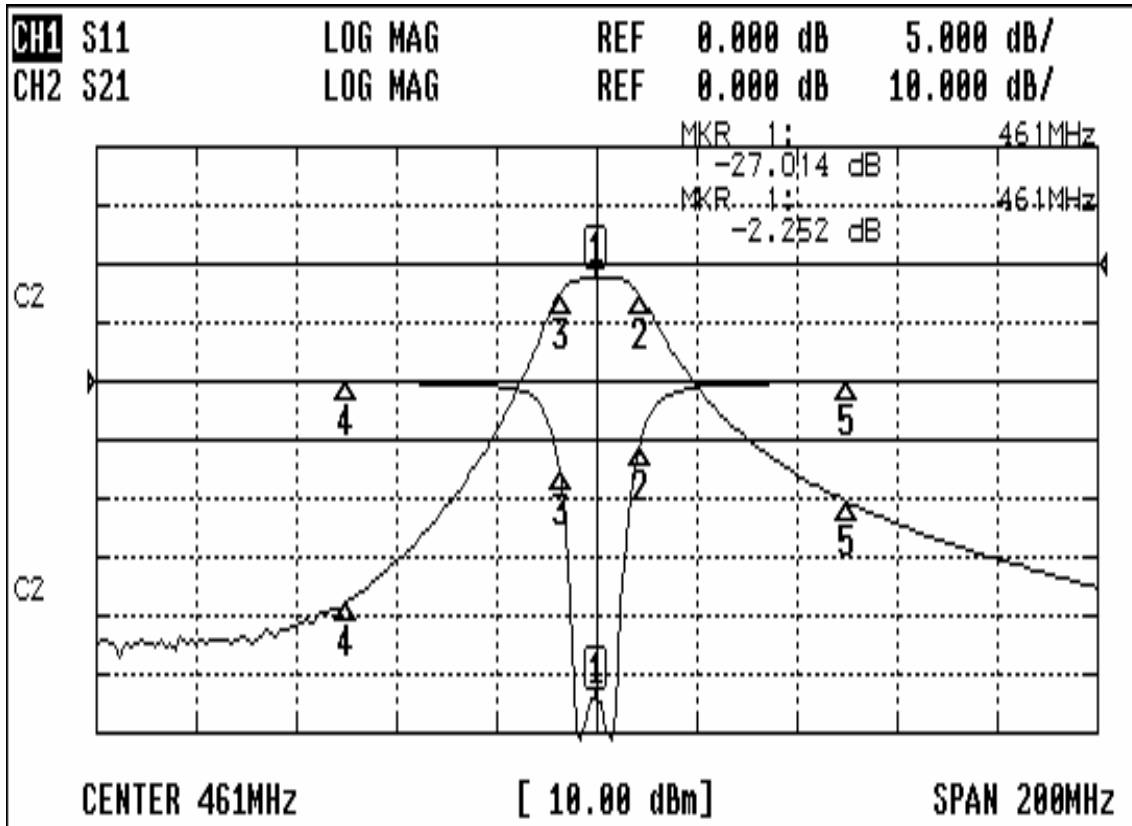


Approval	Supervisor	Designer	Aperture size
C.Y.Chang	C.S.Chang	Y.H.Yeh	7H3(4*5.5)F 7H046RB4

**TEMWELL CORPORATION**

# Performance-TT67553B-461M

## 0712084AD



### CH1 MARKER LIST

1:	461.000MHz	-27.014 dB
2:	469.666MHz	-5.583 dB
3:	453.666MHz	-7.717 dB
4:	411.000MHz	-0.072 dB
5:	511.000MHz	-0.079 dB
6:		
7:		
8:		
9:		
10:		

### CH2 MARKER LIST

1:	461.000MHz	-2.252 dB
2:	469.666MHz	-5.249 dB
3:	453.666MHz	-5.193 dB
4:	411.000MHz	-57.720 dB
5:	511.000MHz	-40.534 dB
6:		
7:		
8:		
9:		
10:		