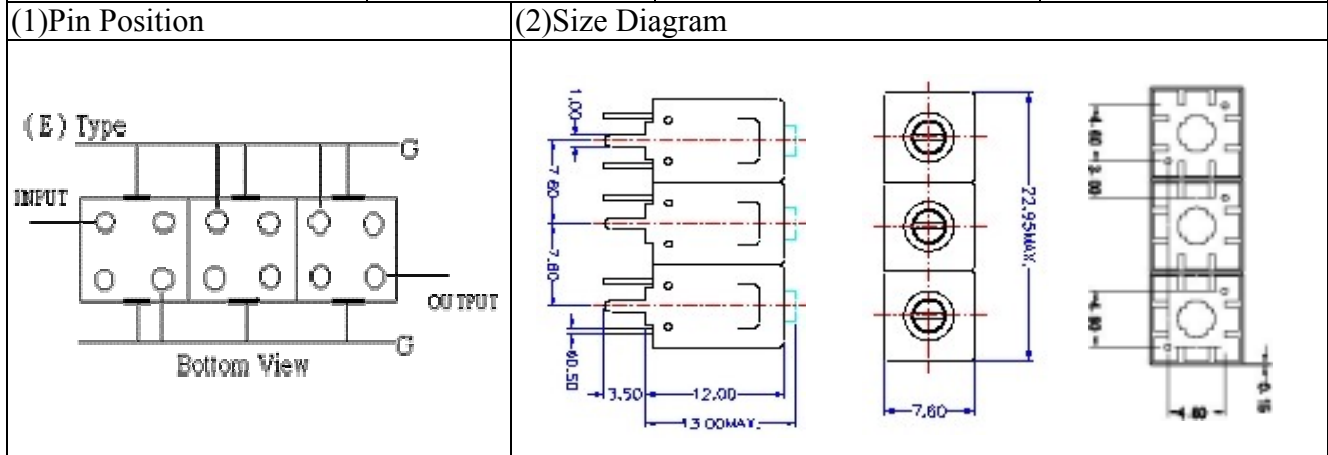
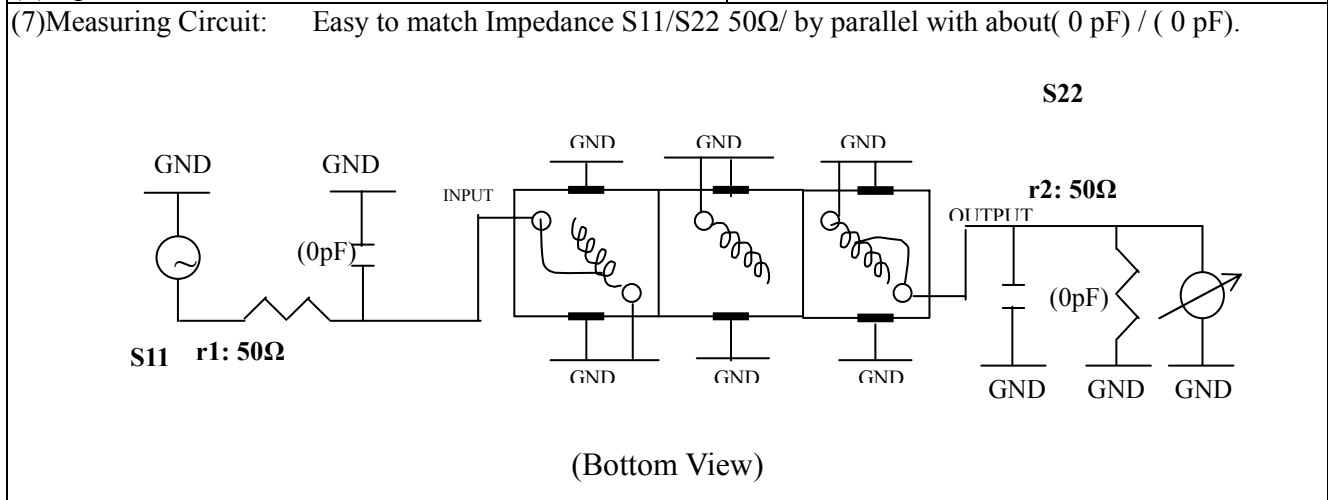


VHF UHF Helical Filter Specification Sheet

| | | | |
|----------------------|------------|---------------------|----------------|
| Customer Name | | Temwell's Part No. | TT67553E-440M |
| Approval No. /dated | 0802063APR | Customer's Part No. | 67553E 440M |
| Work Instruction No. | 0802063CD | Date | Feb.21.2008 |



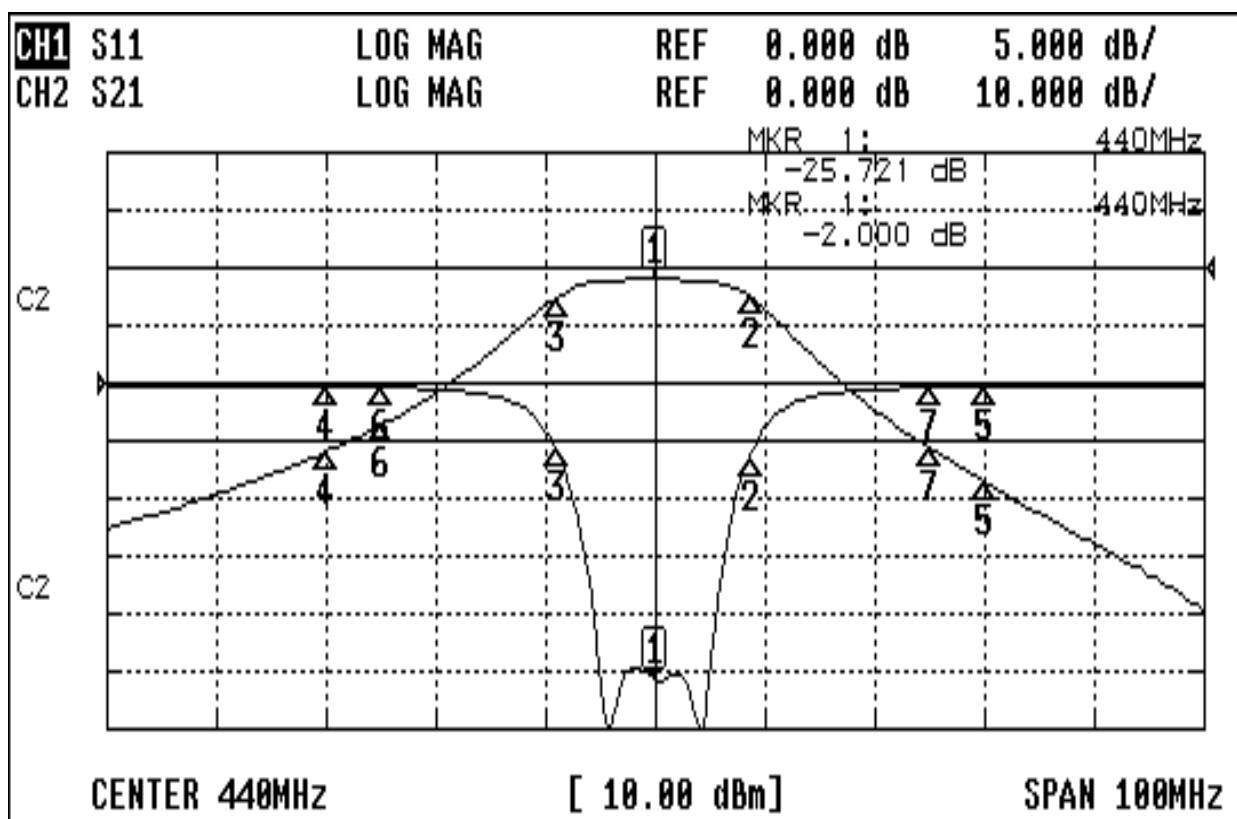
| (3) Electric Characteristic | |
|-------------------------------|---------------------------|
| Item | Specify |
| Center Freq.(Fo) +/- 0.5 % | 440 MHz |
| Tunable Range: | 440±5 MHz |
| Insertion Loss | Typ. 3.0 dB |
| -3 dB Bandwidth | Typ. 15 MHz |
| Sensitivity (Attenuation) | Fo - 25 MHz Typ. 24 dB |
| | Fo + 25 MHz Typ. 28 dB |
| | Fo - ()MHz Typ. dB |
| | Fo +()MHz Typ. dB |
| Return Loss | Min. 12 dB |
| Ripple | < 1 dB |
| Impedance | In / Out : 50 Ω |
| (4) Torque for Tuning Screw | |
| > 100gf cm | |
| (5) Temperature Condition: | |
| Operating Temperature | 0 ~ +60 |
| Storage Temperature | -20 ~ +70 |
| (6) Input Power | |
| > 1Watt | |



| | | | |
|---------------------|------------|------------|---------------------------------|
| Approval | Supervisor | Designer | Aperture size |
| C.Y.Chang | C.S.Chang | P.H.Chiang | 7H3(4*4.65F)*(5.0B) 7H046RB4 |
| TEMWELL CORPORATION | | | |

Performance-TT67553E-440M

0802063CD



CH1 MARKER LIST

| | | |
|-----|------------|------------|
| 1: | 440.000MHz | -25.721 dB |
| 2: | 448.666MHz | -6.287 dB |
| 3: | 431.000MHz | -5.700 dB |
| 4: | 410.000MHz | -0.279 dB |
| 5: | 470.000MHz | -0.284 dB |
| 6: | 415.000MHz | -0.355 dB |
| 7: | 465.000MHz | -0.357 dB |
| 8: | | |
| 9: | | |
| 10: | | |

CH2 MARKER LIST

| | | |
|-----|------------|------------|
| 1: | 440.000MHz | -2.000 dB |
| 2: | 448.666MHz | -5.048 dB |
| 3: | 431.000MHz | -5.071 dB |
| 4: | 410.000MHz | -31.824 dB |
| 5: | 470.000MHz | -37.239 dB |
| 6: | 415.000MHz | -27.217 dB |
| 7: | 465.000MHz | -31.322 dB |
| 8: | | |
| 9: | | |
| 10: | | |