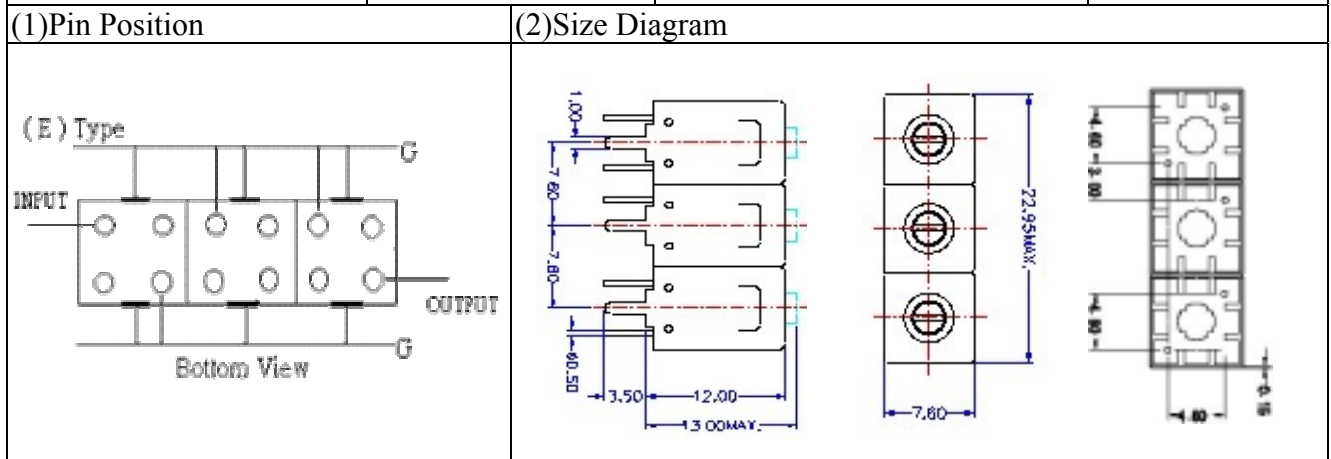
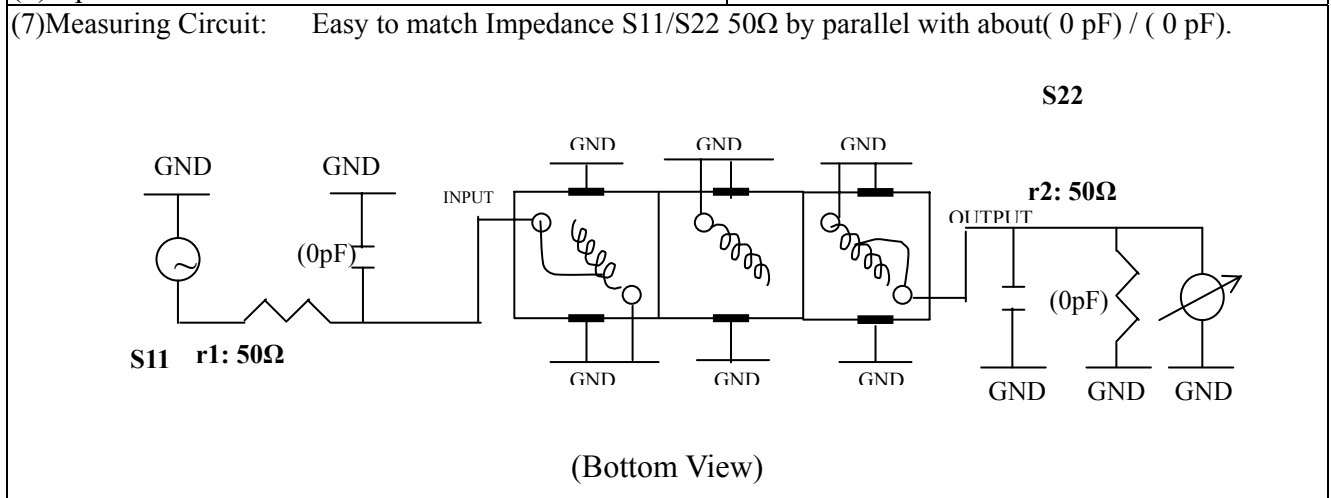


VHF UHF Helical Filter Specification Sheet

Customer Name		Temwell's Part No.	TT67553E-450M
Approval No. /dated	0802062CD	Customer Print Name	
Work Instruction No.	0802062CD	Date	Feb.21.2008



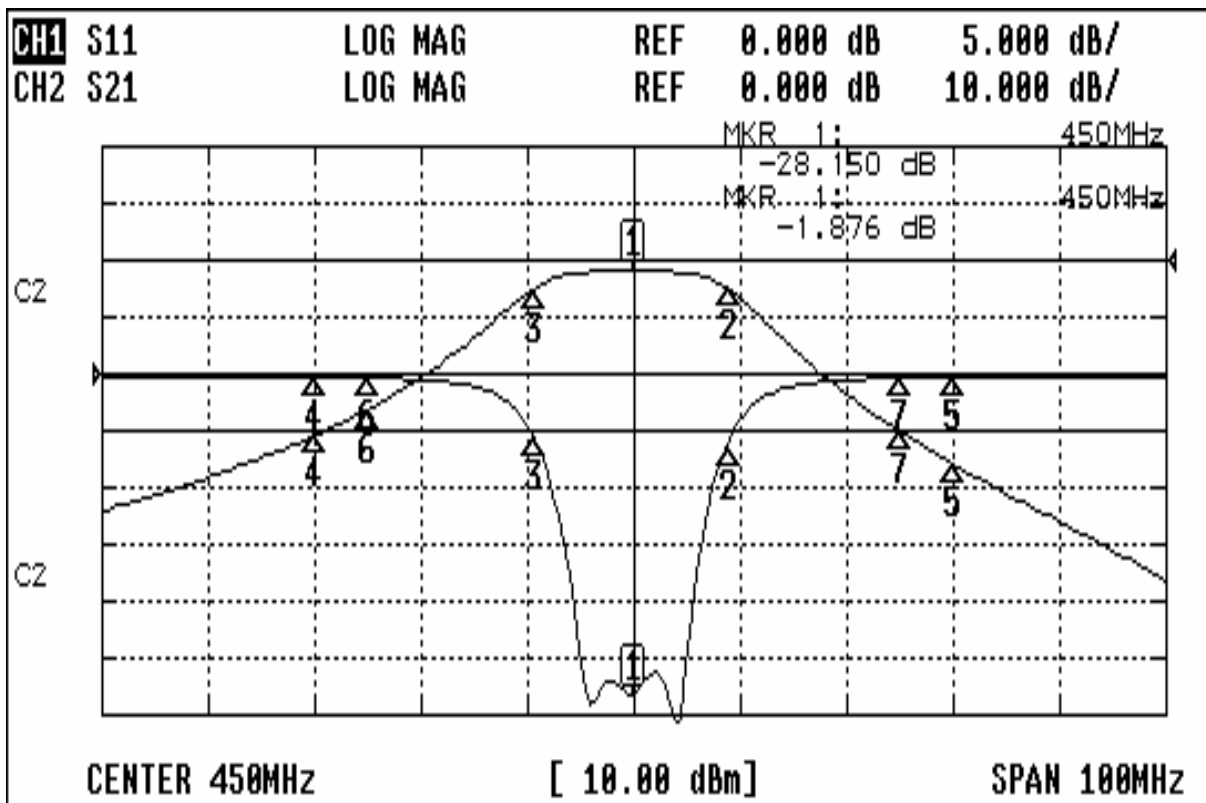
(3) Electric Characteristic		Item	Specify
Center Freq.(Fo) +/- 0.5 %			450 MHz
Tunable Range:			450±5 MHz
Insertion Loss		Typ.	3.0 dB
-3 dB Bandwidth		Typ.	16 MHz
Sensitivity (Attenuation)	Fo - 25 MHz	Typ.	23 dB
	Fo + 25 MHz	Typ.	27 dB
	Fo - ()MHz	Typ.	dB
	Fo +()MHz	Typ.	dB
Return Loss		Min.	12 dB
Ripple			< 1 dB
Impedance			In / Out : 50 Ω
(4) Torque for Tuning Screw			> 100gf cm
(5) Temperature Condition:			
Operating Temperature			0 ~ +60
Storage Temperature			-20 ~ +70
(6) Input Power			> 1Watt



Approval	Supervisor	Designer	Aperture size
C.Y.Chang	C.S.Chang	P.H.Chiang	7H3(4*4.65F)*(5.0B) 7H046LB5
TEMWELL CORPORATION			

Performance-TT67553E-450M

0802062CD



CH1 MARKER LIST

1:	450.000MHz	-28.150 dB
2:	458.833MHz	-6.184 dB
3:	440.666MHz	-5.611 dB
4:	420.000MHz	-0.270 dB
5:	480.000MHz	-0.273 dB
6:	425.000MHz	-0.347 dB
7:	475.000MHz	-0.351 dB
8:		
9:		
10:		

CH2 MARKER LIST

1:	450.000MHz	-1.876 dB
2:	458.833MHz	-4.849 dB
3:	440.666MHz	-4.874 dB
4:	420.000MHz	-30.810 dB
5:	480.000MHz	-35.861 dB
6:	425.000MHz	-26.199 dB
7:	475.000MHz	-30.124 dB
8:		
9:		
10:		