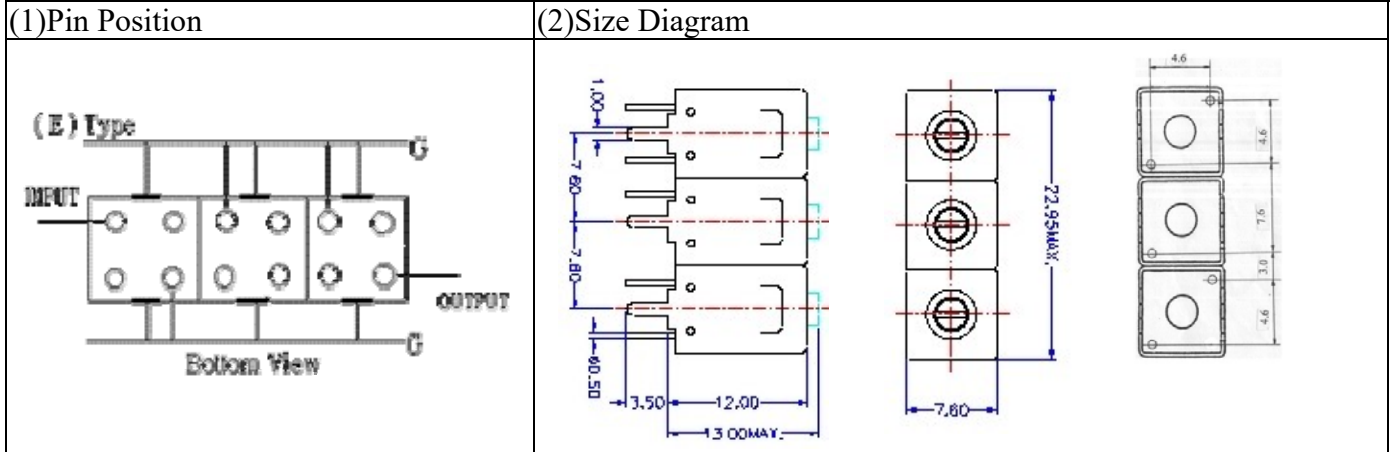
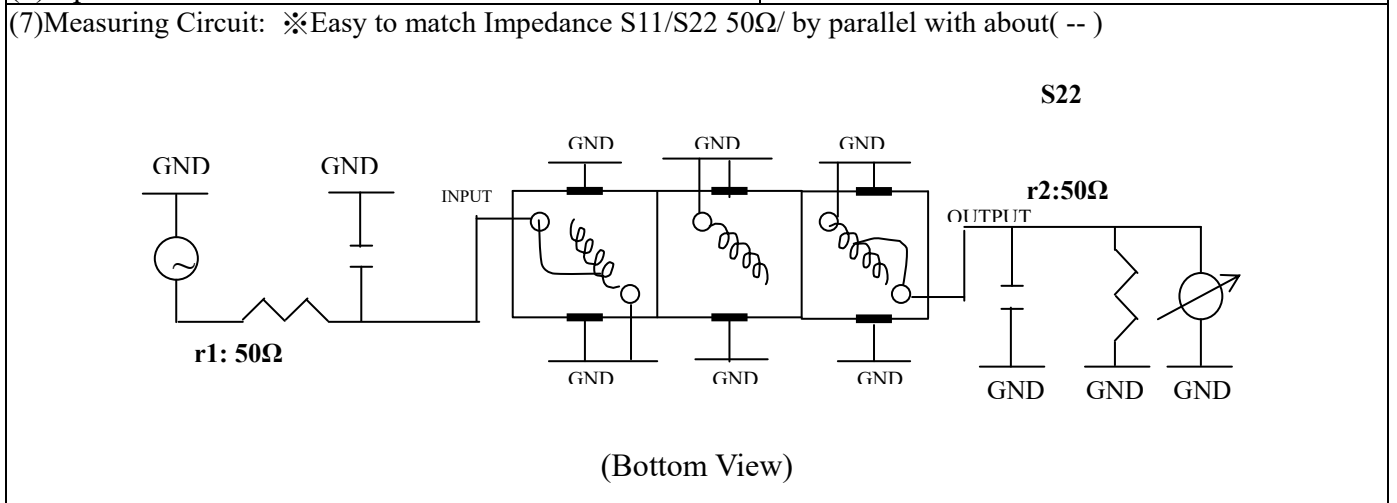


VHF UHF Helical Filter Specification Sheet

Customer Name		Temwell's Part No.	TT67603E-700M
Approval No. /dated		Temwell's print name.	67603E 112M
Work Instruction No.	201303062BD	Date	Mar.25.2013



(3) Electric Chararistic		Item	Specify	
Center Freq.(Fo) +/- 0.5 %			700	MHz
Insertion Loss		Typ.	2.5	dB
-3 dB Bandwidth		Typ.	100	MHz
Sensitivity (Attenuation)	Fo - 200 MHz	Typ.	44	dBc
	Fo + 200 MHz	Typ.	20	dBc
	Fo - ()MHz	Typ.		dB
	Fo +()MHz	Typ.		dB
Return Loss		Min.	12	dB
Ripple			< 1	dB
Impedance			In / Out : 50 Ω	
(4) Torque for Tuning Screw			> 60gf · cm	
(5) Temperature Condition:				
Operating Temperature			0°C ~ +60°C	
Storage Temperature			-20°C ~ +70°C	
(6) Input Power			> 1 Watt	

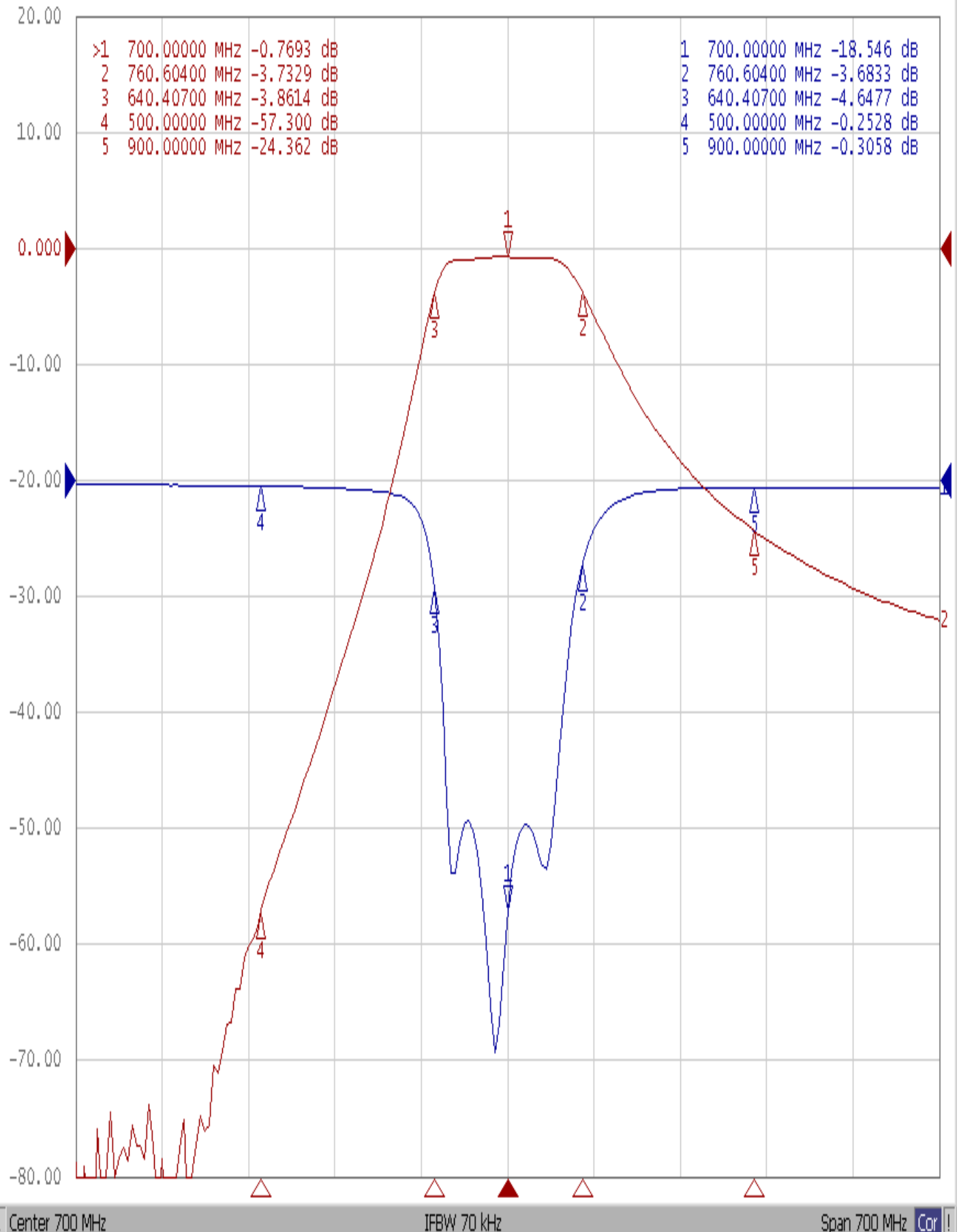


Approval	Supervisor	Designer	Aperture size
C.Y.Chang	C.K.Chang	P.H.Chiang	7H3S(4*6.5)(6.58) 7H046RB6.5
TEMWELL CORPORATION			

Performance-TT67603E-700M

201303062BD

Tr1 S11 Log Mag 5.000dB/ Ref 0.000dB [F2]
Tr2 S21 Log Mag 10.00dB/ Ref 0.000dB [F2]



Center 700 MHz

IFBW 70 kHz

Span 700 MHz Cor