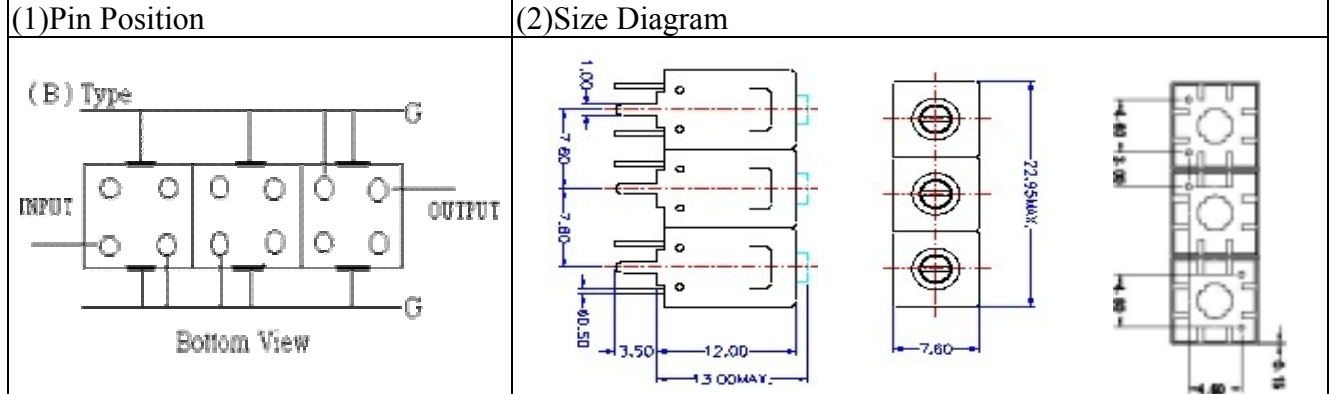
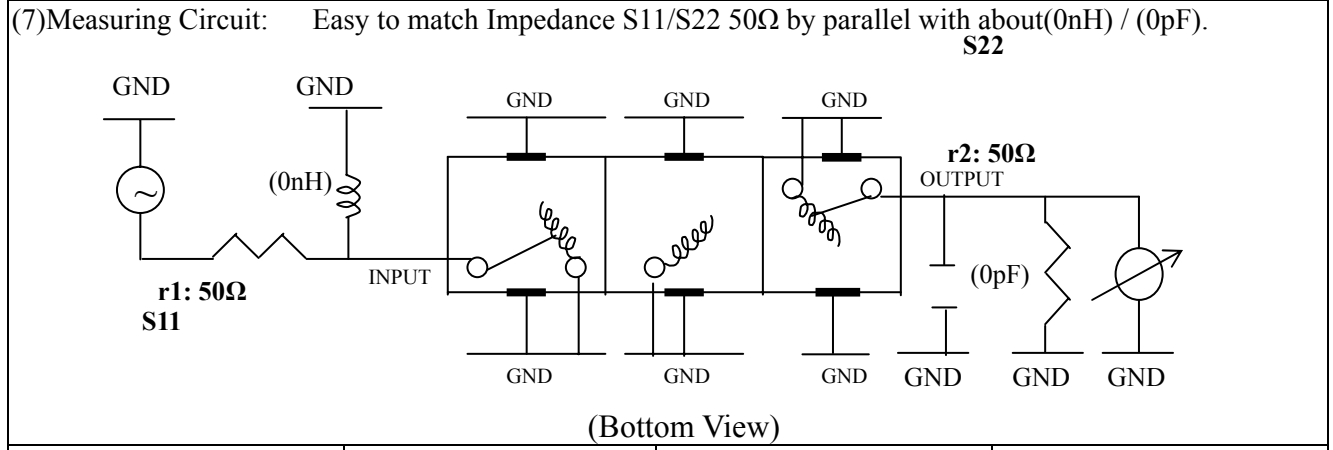


VHF UHF Helical Filter Specification Sheet

Customer Name		Temwell's Part No.	TT67627B02-465M
Approval No. /dated	0809079C	Temwell's Print name	67627B02 465M
Work Instruction No.	200809079C	Date	Oct.01.2008



(3) Electric Characteristic	
Item	Specify
Center Freq.(Fo) +/- 0.5 %	465 MHz
Insertion Loss	Typ. 3.5 dB
-1 dB Bandwidth	Typ. 8 MHz
-3 dB Bandwidth	Typ. 13 MHz
Sensitivity (Attenuation)	Fo - 30 MHz Typ. 32 dBc
	Fo + 30 MHz Typ. 26 dBc
	Fo - ()MHz Typ. dBc
	Fo +()MHz Typ. dBc
Return Loss	Min. 12 dB
Ripple	< 1 dB
Impedance	In / Out : 50 Ω
(4) Torque for Tuning Screw	> 100gf cm
(5) Temperature Condition:	
Operating Temperature	0 ~ +60
Storage Temperature	-20 ~ +70
(6) Input Power	> 1Watt



Approval	Supervisor	Designer	Aperture size
C.Y.Chang	C.S.Chang	C.S.Chang	7H3S(4*6.5F) 7H046LB4 聚 3

TEMWELL CORPORATION

Performance-TT67627B02-465M

200809079C

