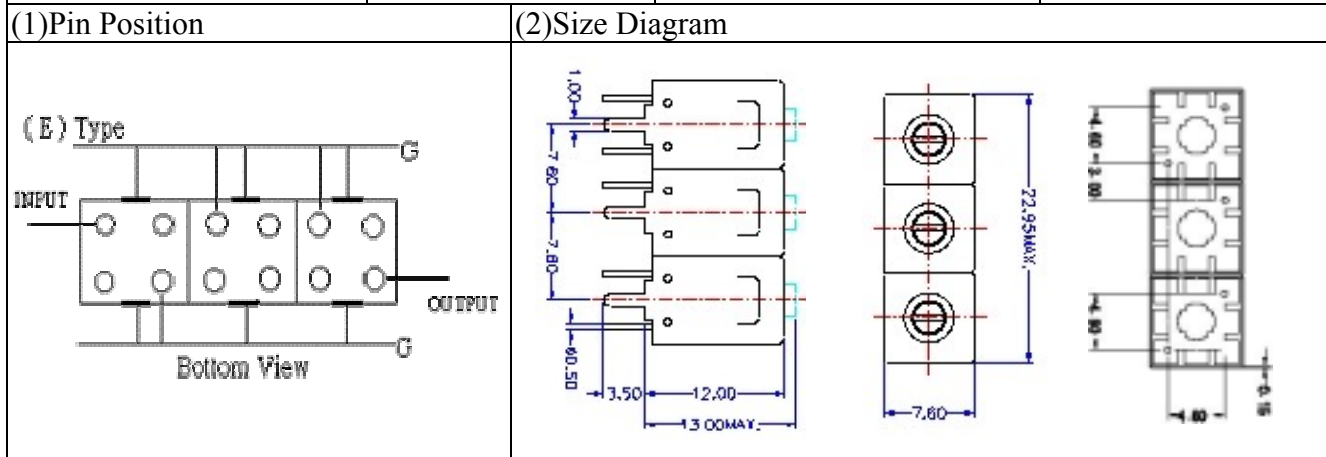


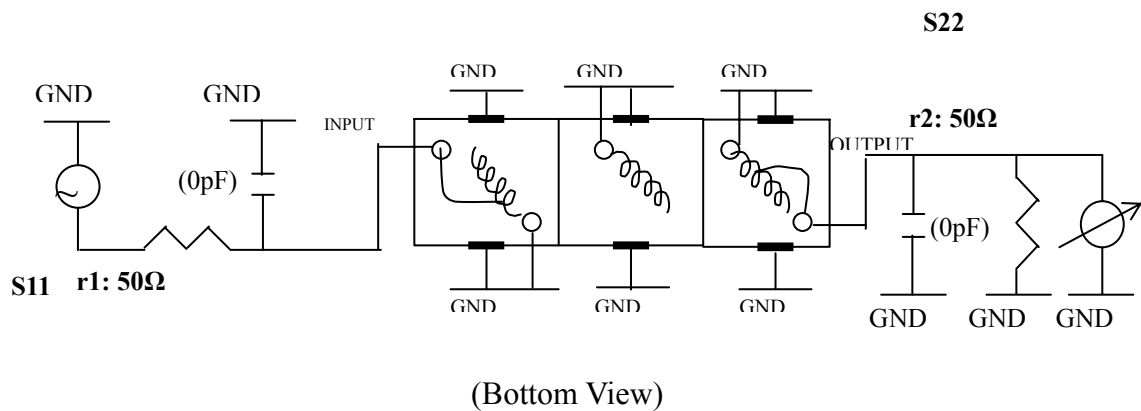
VHF UHF Helical Filter Specification Sheet

Customer Name		Temwell's Part No.	TT67630E-816M
Approval No. /dated		Customer's Part No.	67630E 816M
Work Instruction No.	200812063C	Date	Jan.07.2009



(3) Electric Characteristic		Item	Specify
		Center Freq.(Fo) +/- 0.5 %	816 MHz
		Insertion Loss	Typ. 3.0 dB
		-3 dB Bandwidth	Typ. 20 MHz
Sensitivity (Attenuation)	Fo - 120 MHz	Typ. 55 dBc	
	Fo + 120 MHz	Typ. 55 dBc	
	Fo - ()MHz	Typ. dBc	
	Fo +()MHz	Typ. dBc	
		Return Loss	Min. 12 dB
		Ripple	< 1 dB
		Impedance	In / Out : 50 Ω
(4) Torque for Tuning Screw		> 100gf cm	
(5) Temperature Condition:			
Operating Temperature		0 ~ +60	
Storage Temperature		-20 ~ +70	
(6) Input Power		> 1Watt	

(7) Measuring Circuit: Easy to match Impedance S11/S22 50Ω by parallel with about(0pF) / (0pF).

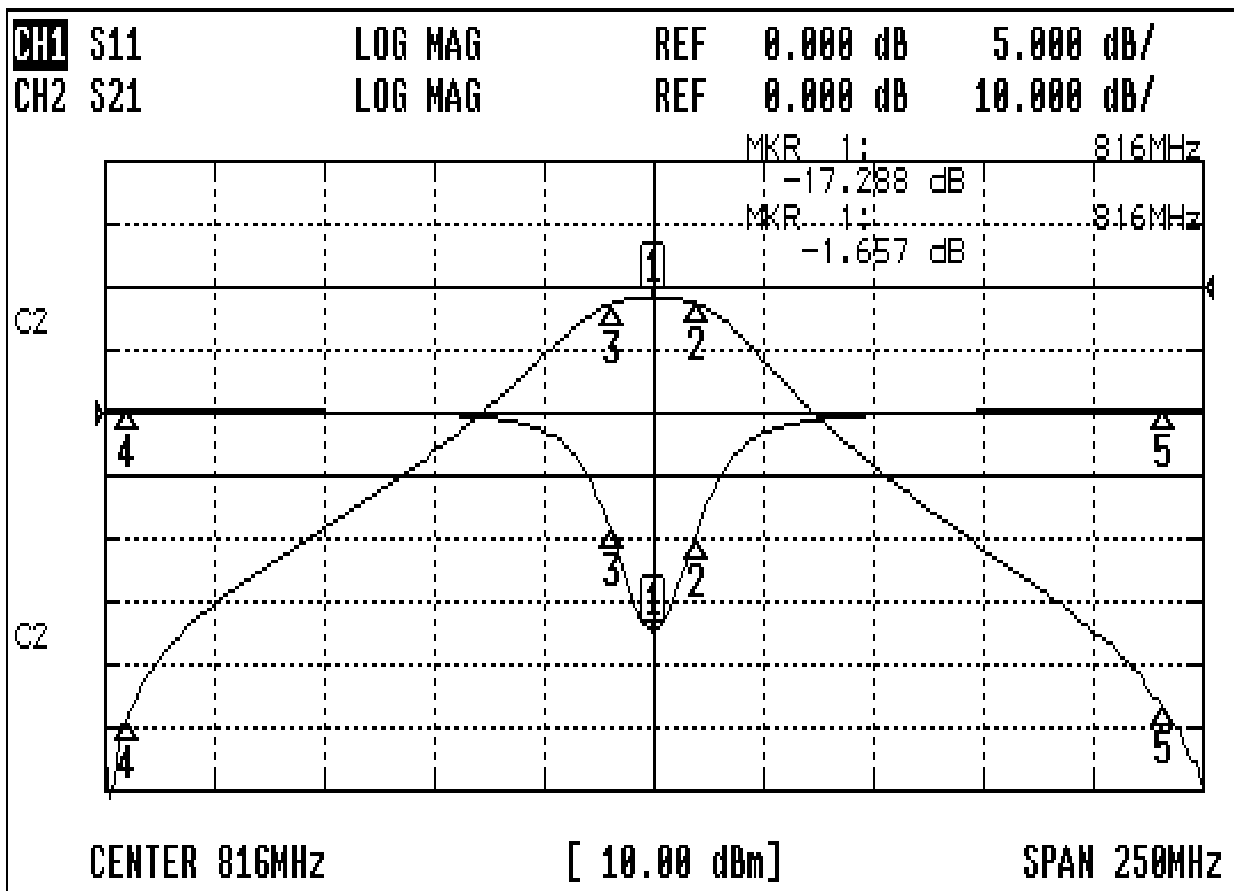


Approval	Supervisor	Designer	Aperture size
C.Y.Chang	C.S.Chang	P.H.Chiang	7H3S(4*6.5) 7H046LB4 聚 3

TEMWELL CORPORATION

Performance-TT67630E-816M

200812063C



CH1 MARKER LIST

1:	816.000MHz	-17.288 dB
2:	825.583MHz	-1.657 dB
3:	806.416MHz	-1.657 dB
4:	696.000MHz	0.224 dB
5:	932.000MHz	0.280 dB

CH2 MARKER LIST

1:	816.000MHz	-1.657 dB
2:	825.583MHz	-2.680 dB
3:	806.416MHz	-2.670 dB
4:	696.000MHz	-70.384 dB
5:	932.000MHz	-66.199 dB