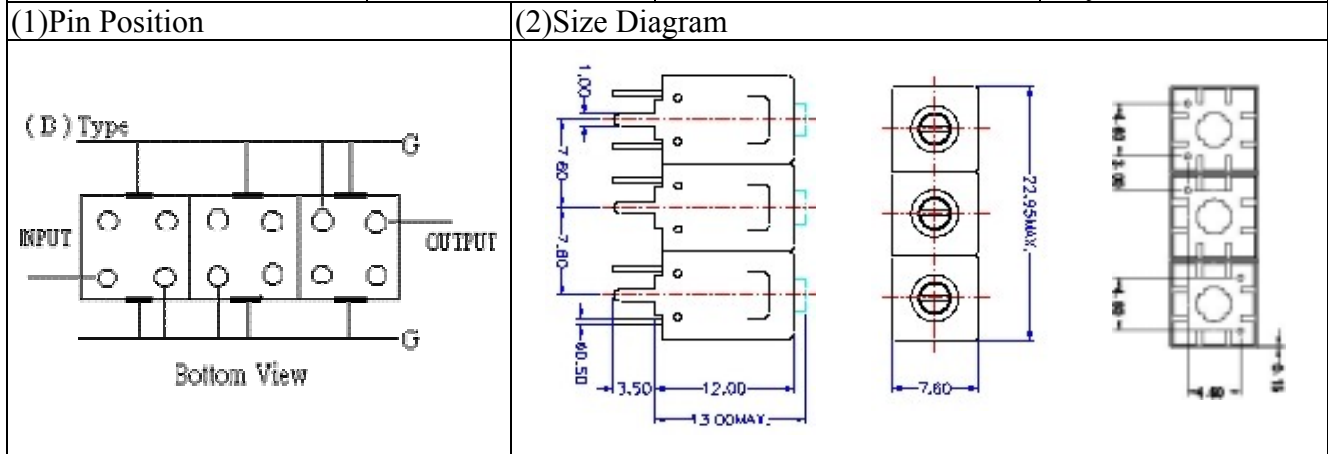
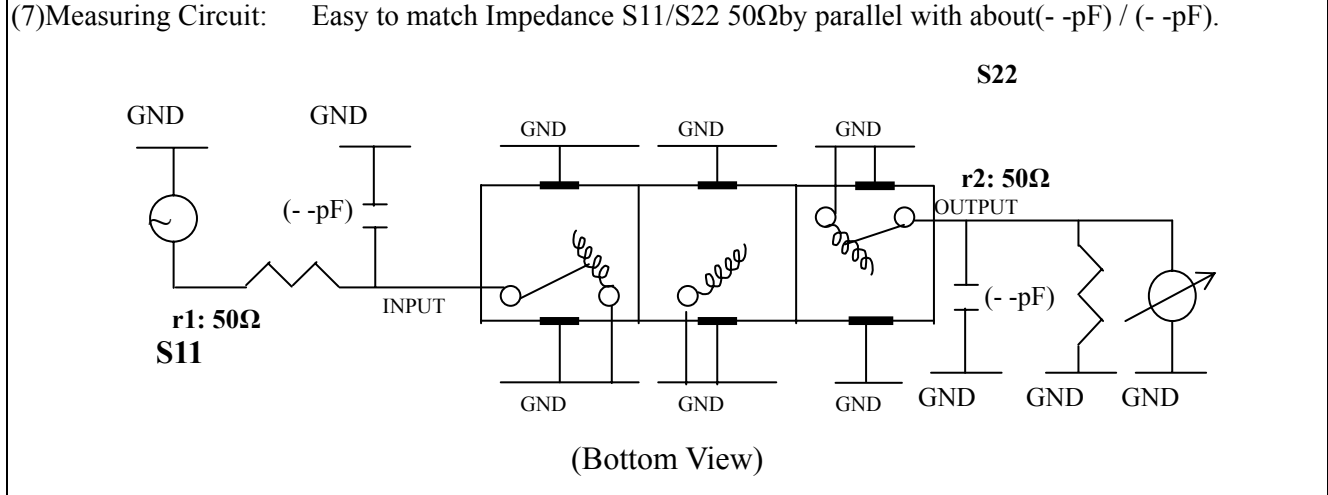


VHF UHF Helical Filter Specification Sheet

Customer Name		Temwell's Part No.	TT67676B1-140M
Approval No. /dated		Temwell's Print Name.	67676B1 140M
Work Instruction No.	201105021A	Date	May.12.2011



(3) Electric Characteristic	
Item	Specify
Center Freq.(Fo) +/- 0.5 %	140 MHz
Insertion Loss	Typ. 3.5 dB
-3 dB Bandwidth	Typ. 8 MHz
Sensitivity (Attenuation)	Fo - 50 MHz Typ. 55 dBc
	Fo + 50 MHz Typ. 45 dBc
	Fo - ()MHz Typ. dBc
	Fo +()MHz Typ. dBc
Return Loss	Min. 12 dB
Ripple	< 1 dB
Impedance	In / Out : 50 Ω
(4) Torque for Tuning Screw	> 100gf cm
(5) Temperature Condition:	
Operating Temperature	0 ~ +60
Storage Temperature	-20 ~ +70
(6) Input Power	> 1Watt

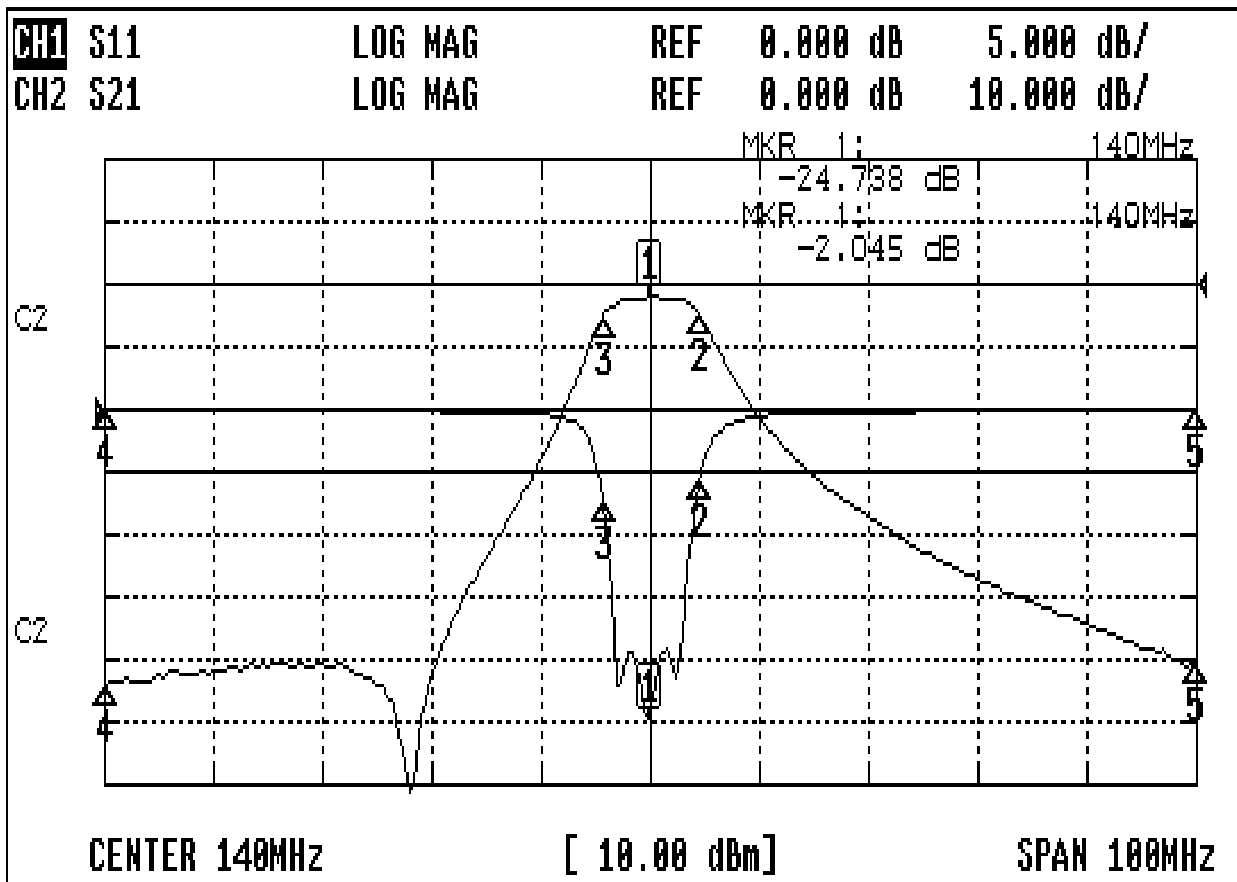


Approval C.Y.Chang	Supervisor C.S.Chang	Designer P.H.Chiang	Aperture size 7H3S(4*7.35)(7.38) (7H024RB4)
-----------------------	-------------------------	------------------------	---

TEMWELL CORPORATION

Performance-TT67676B1-140M

201105021A



CH1 MARKER LIST

1:	140.000MHz	-24.738 dB
2:	144.583MHz	-5.627 dB
3:	135.750MHz	-7.486 dB
4:	90.000MHz	-0.095 dB
5:	190.000MHz	-0.092 dB

CH2 MARKER LIST

1:	140.000MHz	-2.045 dB
2:	144.583MHz	-5.027 dB
3:	135.750MHz	-5.014 dB
4:	90.000MHz	-64.604 dB
5:	190.000MHz	-60.471 dB