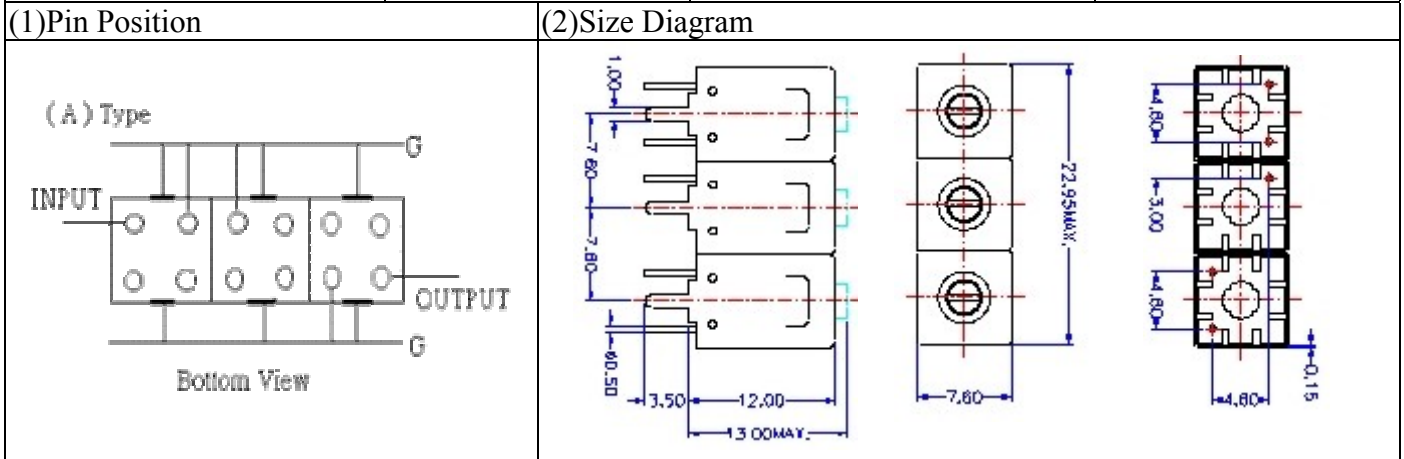


VHF UHF Helical Filter Specification Sheet

Customer Name		Temwell's Part No.	TT67684A-1405M
Approval No. /dated		Temwell's print name.	67684A 1405M
Work Instruction No.	201504051C	Date	Feb.19.2016



(3) Electric Characteristic

Item	Specify	
Center Freq.(Fo) +/- 0.5 %	1405	MHz
Insertion Loss	Typ. 3.0	dB
-3 dB Bandwidth	Typ. 110	MHz
Sensitivity (Attenuation)	Fo - 200 MHz	Typ. 40 dBc
	Fo + 200 MHz	Typ. 20 dBc
	Fo - ()MHz	Typ. dBc
	Fo +()MHz	Typ. dBc
Return Loss	Min. 12	dB
Ripple	< 1	dB
Impedance	In / Out : 50 Ω	

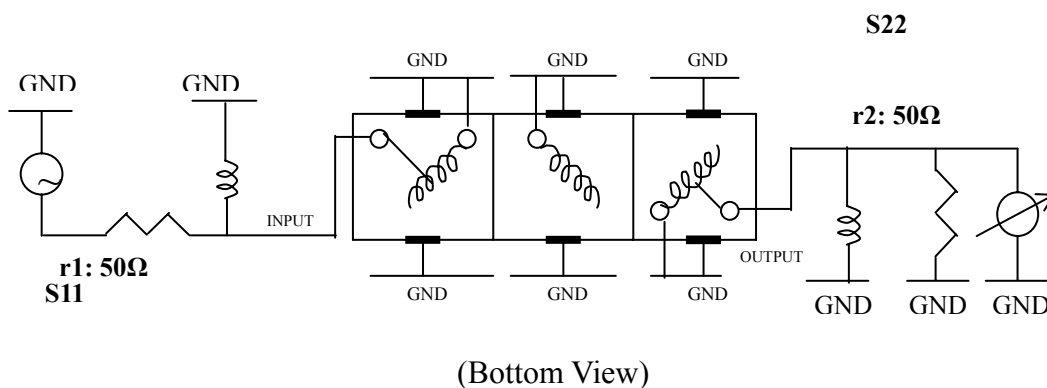
(4) Torque for Tuning Screw > 100gf cm

(5) Temperature Condition:

Operating Temperature	0 ~ +60
Storage Temperature	-20 ~ +70

(6) Input Power > 1Watt

(7) Measuring Circuit: Easy to match Impedance S11/S22 50Ω by parallel with about(---)



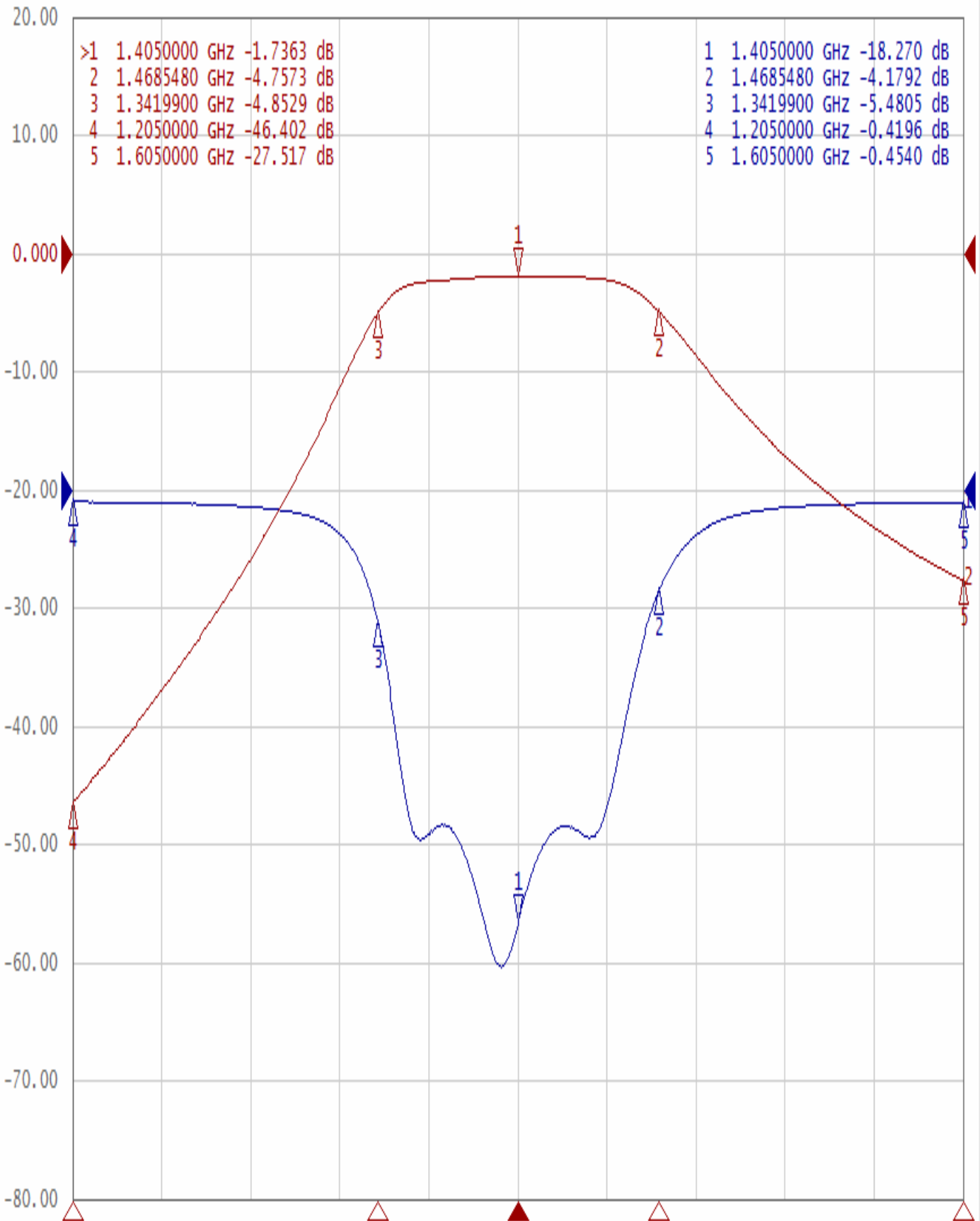
Approval	Supervisor	Designer	Aperture size
C.Y.Chang	C.S.Chang	C.S.Chang	7H3S(4*7.5)(7.54) 7H046LB5.5

TEMWELL CORPORATION

Performance-TT67684A-1405M

201504051C

Tr1 S11 Log Mag 5.000dB/ Ref 0.000dB [F2]
Tr2 S21 Log Mag 10.00dB/ Ref 0.000dB [F2]



1 Center 1.405 GHz

IFBW 70 kHz

Span 400 MHz Cor!