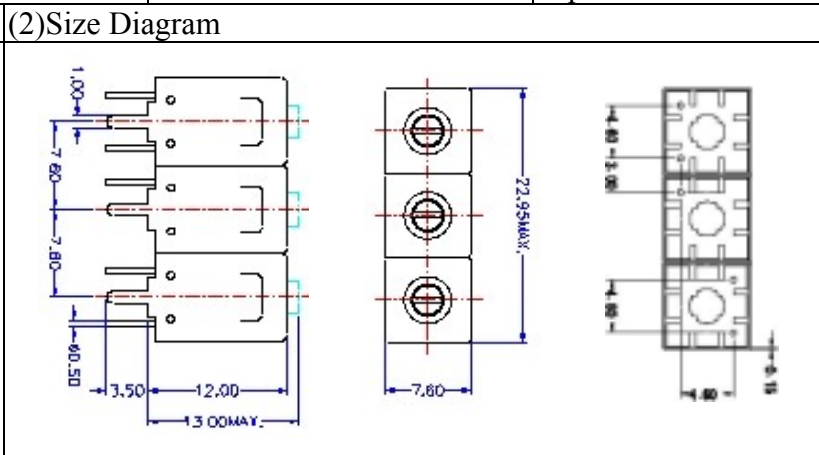
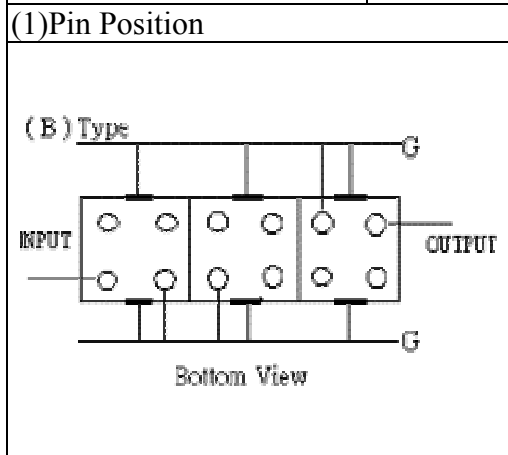


VHF UHF Helical Filter Specification Sheet

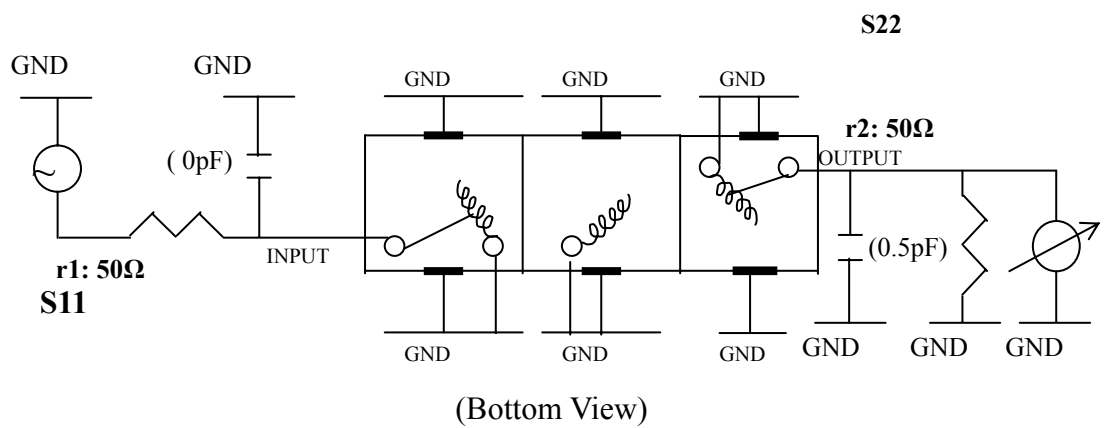
Customer Name		Temwell's Part No.	TT6769B-340M
Approval No. /dated	200809046C	Temwell's Print name.	6769B 340M
Work Instruction No.	200809046C	Date	Sep.18.2008



(3) Electric Characteristic

Item	Specify
Center Freq.(Fo) +/- 0.5 %	340 MHz
Insertion Loss	Typ. 3.0 dB
-3 dB Bandwidth	Typ. 12 MHz
Sensitivity (Attenuation)	Fo - (20) MHz Typ. 20 dBc
	Fo + (20) MHz Typ. 16 dBc
	Fo - () MHz Typ. dBc
	Fo + () MHz Typ. dBc
Return Loss	Min. 12 dB
Ripple	< 1 dB
Impedance	In / Out : 50 Ω
(4) Torque for Tuning Screw > 100gf cm	
(5) Temperature Condition:	
Operating Temperature	0 ~ +60
Storage Temperature	-20 ~ +70
(6) Input Power > 1Watt	

(7) Measuring Circuit: Easy to match Impedance S11/S22 50Ω by parallel with about (0pF) / (0.5pF).

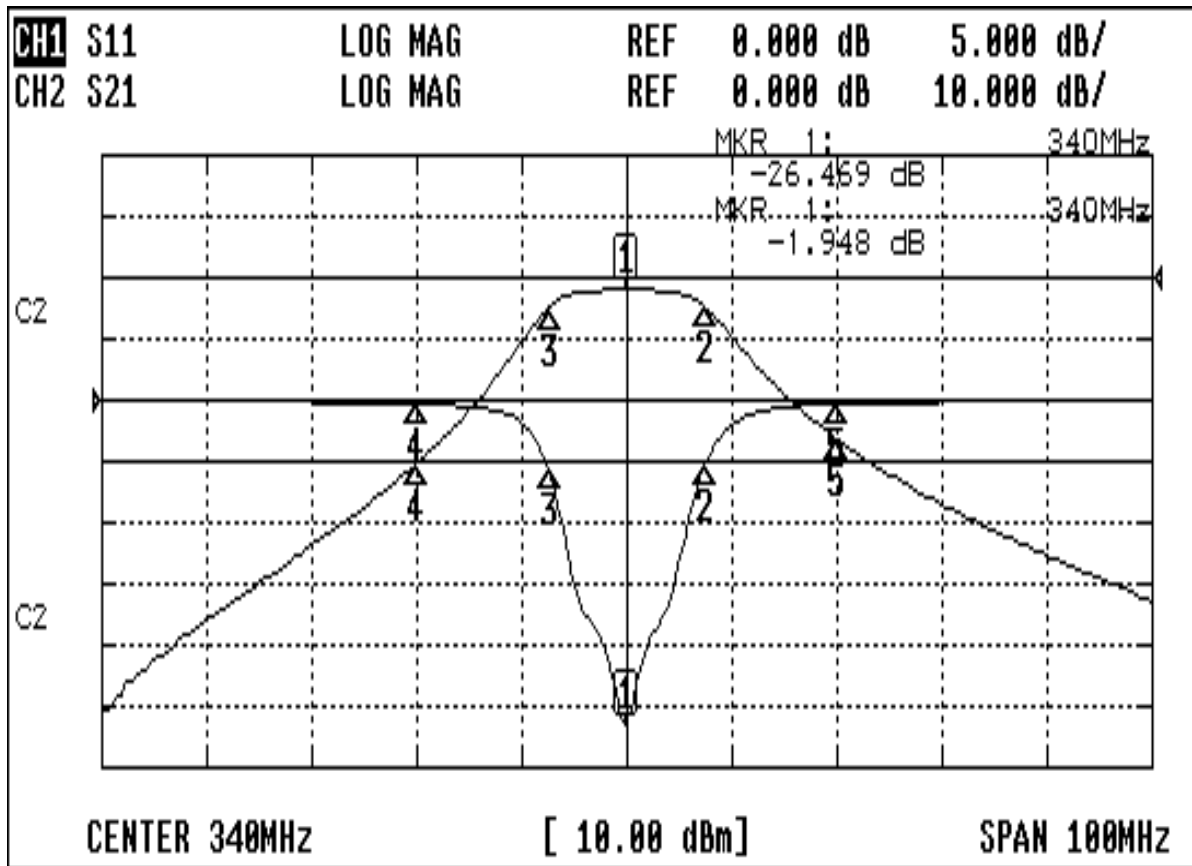


Approval	Supervisor	Designer	Aperture size
C.Y.Chang	C.S.Chang	K.L.Lai	7H3S(4*6.5F) (7H046LB4 聚 3)

TEMWELL CORPORATION

Performance-TT6769B-340M

2000809046C



CH1 MARKER LIST

1:	340.000MHz	-26.469 dB
2:	347.583MHz	-5.121 dB
3:	332.666MHz	-5.883 dB
4:	320.000MHz	-0.286 dB
5:	360.000MHz	-0.286 dB
6:		
7:		
8:		
9:		
10:		

CH2 MARKER LIST

1:	340.000MHz	-1.948 dB
2:	347.583MHz	-4.972 dB
3:	332.666MHz	-4.911 dB
4:	320.000MHz	-30.338 dB
5:	360.000MHz	-26.287 dB
6:		
7:		
8:		
9:		
10:		