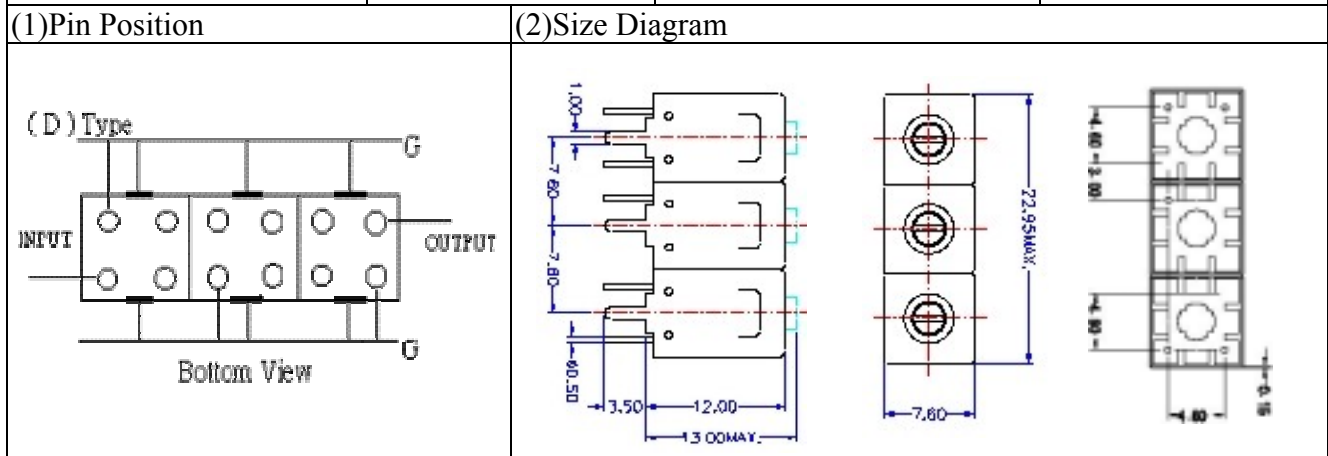


VHF UHF Helical Filter Specification Sheet

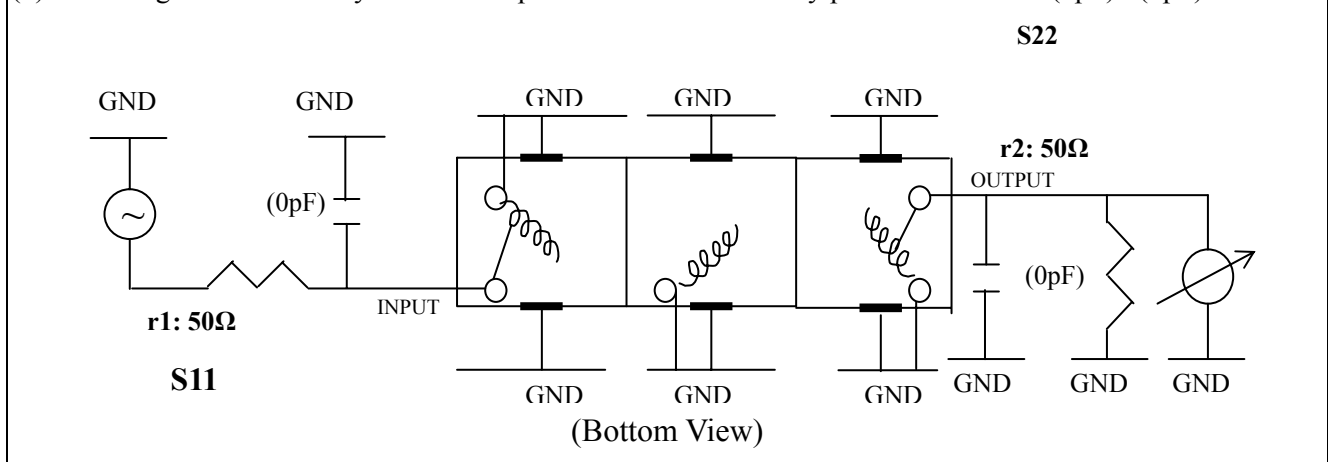
Customer Name		Temwell's Part No.	TT6774D-500M
Approval No. /dated	0809080APR	Customer's Part Name.	6774D 500M
Work Instruction No.	200809080CD	Date	Oct.02.2008



(3) Electric Charasteric

Item	Specify		
Center Freq.(Fo) +/- 0.5 %	500		MHz
Insertion Loss	Typ.	2.0	dB
-3 dB Bandwidth	Typ.	30	MHz
Sensitivity (Attenuation)	Fo - 60 MHz	Typ.	38 dBc
	Fo + 60 MHz	Typ.	28 dBc
	Fo - ()MHz	Typ.	dBc
	Fo +()MHz	Typ.	dBc
Return Loss	Min.	12	dB
Ripple		< 1	dB
Impedance		In / Out : 50 Ω	
(4)Torque for Tuning Screw		> 100gf	cm
(5)Temperature Condition:			
Operating Temperature		0	~ +60
Storage Temperature		-20	~ +70
(6)Input Power		> 1Watt	

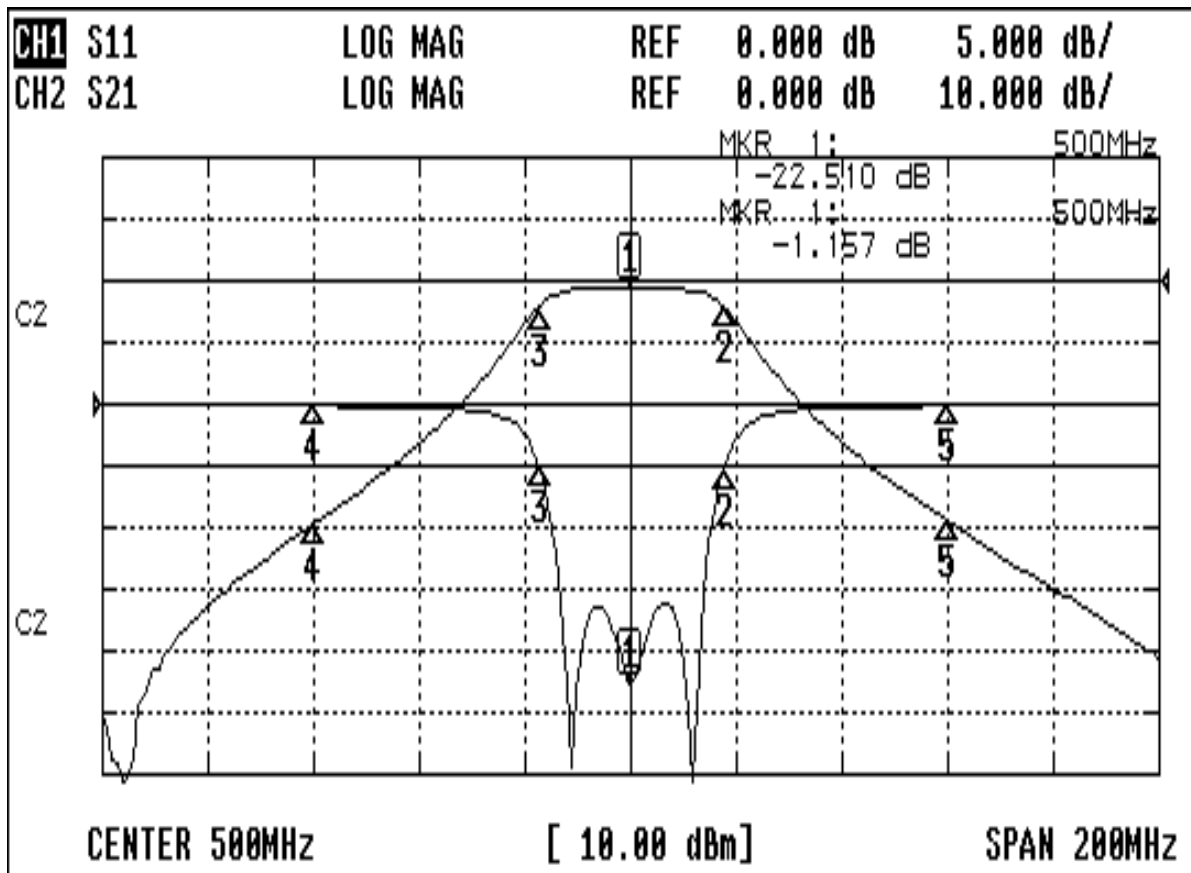
(7)Measuring Circuit: Easy to match Impedance S11/S22 50Ω/ by parallel with about(0pF) / (0pF).



Approval	Supervisor	Designer	Aperture size
C.Y.Chang	C.S.Chang	P.H.Chiang	7H3S(4*7.5F) 7H046LB4 聚 3
TEMWELL CORPORATION			

Performance-TT6774D-500M

200809080CD



CH1 MARKER LIST

1:	500.000MHz	-22.510 dB
2:	517.666MHz	-5.348 dB
3:	482.833MHz	-4.997 dB
4:	440.000MHz	-0.133 dB
5:	560.000MHz	-0.133 dB
6:		
7:		
8:		
9:		
10:		

CH2 MARKER LIST

1:	500.000MHz	-1.157 dB
2:	517.666MHz	-4.128 dB
3:	482.833MHz	-4.129 dB
4:	440.000MHz	-39.512 dB
5:	560.000MHz	-39.056 dB
6:		
7:		
8:		
9:		
10:		