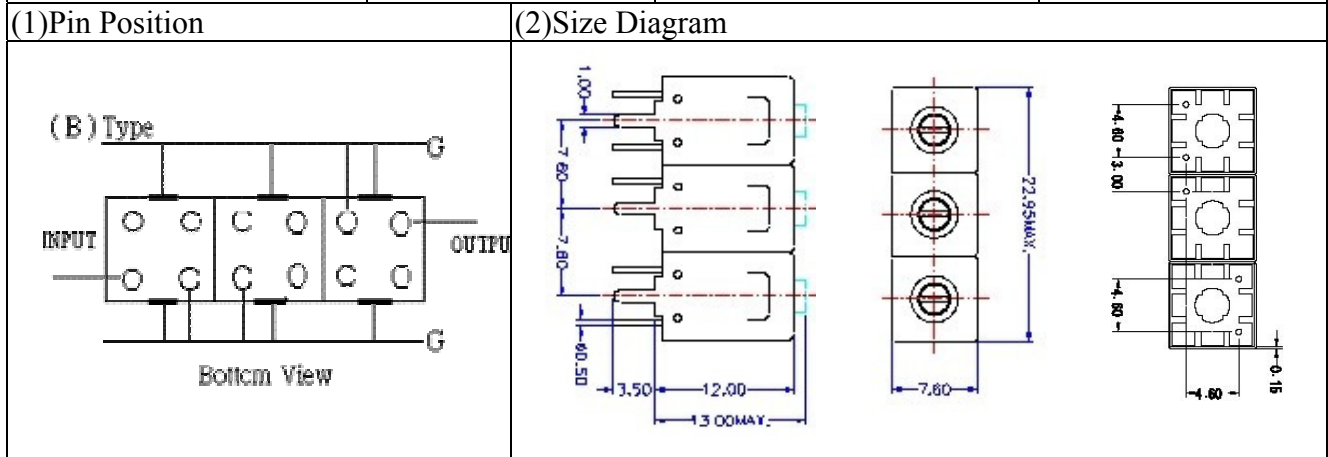


# VHF UHF Helical Filter Specification Sheet

Customer Name		Temwell's Part No.	TT6778B-438M
Approval No. /dated		Temwell's Print name	6778B 438M
Work Instruction No.	201110071A	Date	Nov.16.2011



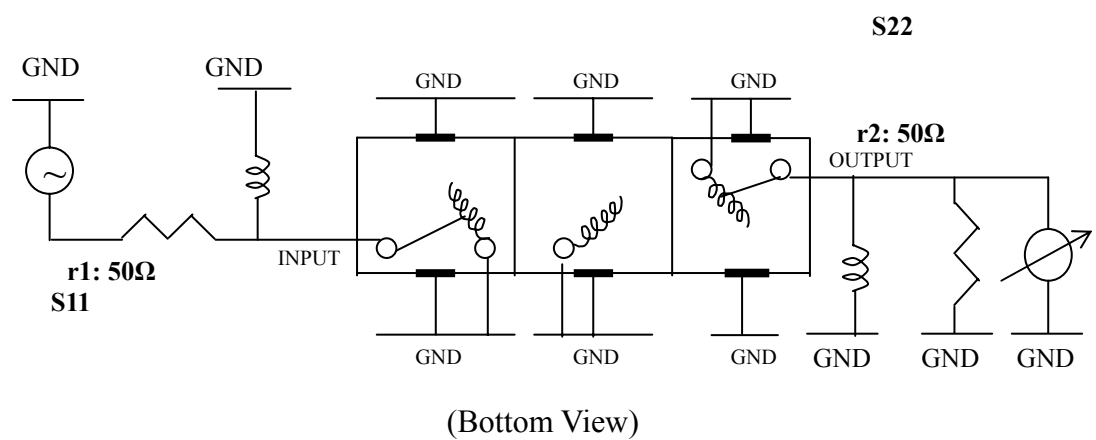
(3) Electric Characteristic		Item	Specify
		Center Freq.(Fo) +/- 0.5 %	438 MHz
		Insertion Loss	Typ. 3.0 dB
		-3 dB Bandwidth	Typ. 21 MHz
Sensitivity (Attenuation)	Fo - 50 MHz	Typ. 48	dBc
	Fo +50 MHz	Typ. 39	dBc
	Fo - ( )MHz	Typ.	dBc
	Fo +( )MHz	Typ.	dBc
		Return Loss	Min. 12 dB
		Ripple	< 1 dB
		Impedance	In / Out : 50 Ω

(4) Torque for Tuning Screw > 60gf · cm

(5) Temperature Condition:	
Operating Temperature	0°C ~ +60°C
Storage Temperature	-20°C ~ +70°C

(6) Input Power > 1Watt

(7) Measuring Circuit: ※Easy to match Impedance S11/S22 50Ω by parallel with about( -- ) / ( -- ).



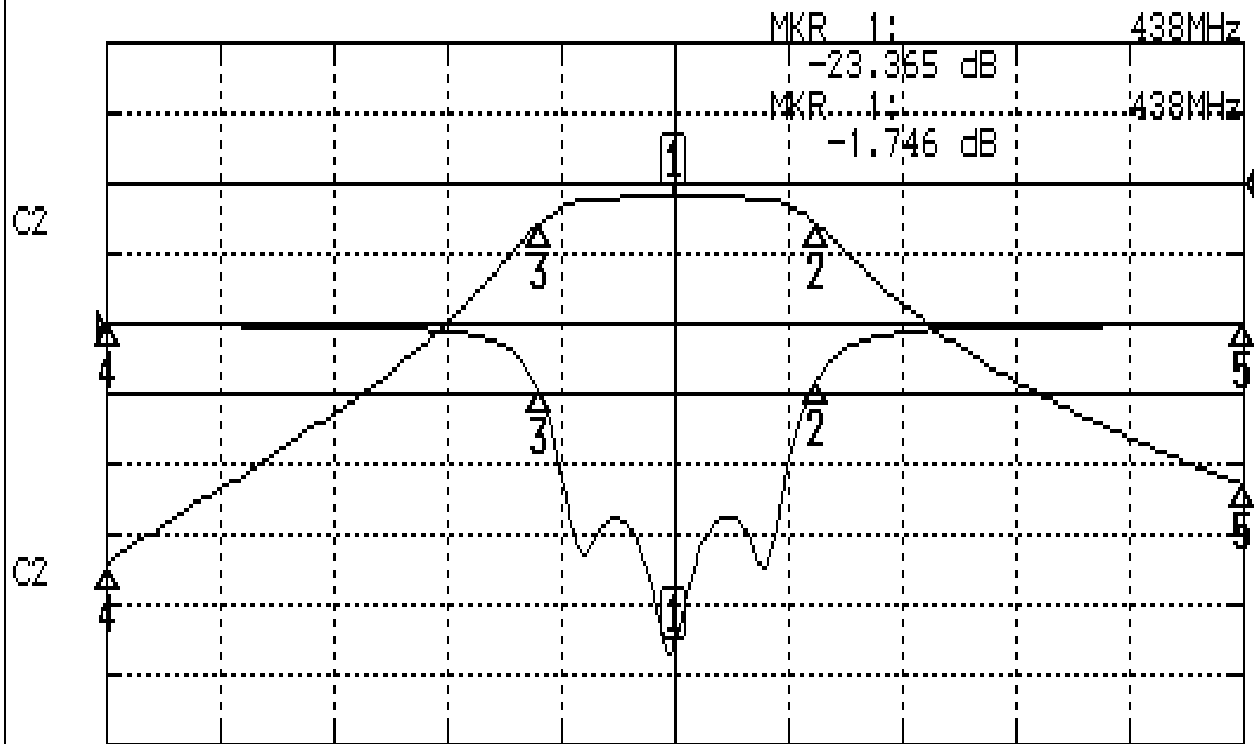
Approval	Supervisor	Designer	Aperture size
C.Y.Chang	C.K.Chang	F.L.Lai	7H3S(4*7.5)(7.58) 7H046LB4.3 聚 3

TEMWELL CORPORATION

# Performance-TT6778B-438M

## 201110071A

CH1 S11 LOG MAG REF 0.000 dB 5.000 dB/  
CH2 S21 LOG MAG REF 0.000 dB 10.000 dB/



CENTER 438MHz

[ 10.00 dBm ]

SPAN 100MHz

### CH1 MARKER LIST

Marker	Frequency (MHz)	Magnitude (dB)
1	438.0000	-23.379
2	450.5833	-4.011
3	426.0833	-4.751
4	388.0000	-0.121
5	488.0000	-0.092

### CH2 MARKER LIST

Marker	Frequency (MHz)	Magnitude (dB)
1	438.0000	-1.746
2	450.5833	-1.796
3	426.0833	-1.767
4	388.0000	-1.812
5	488.0000	-42.873