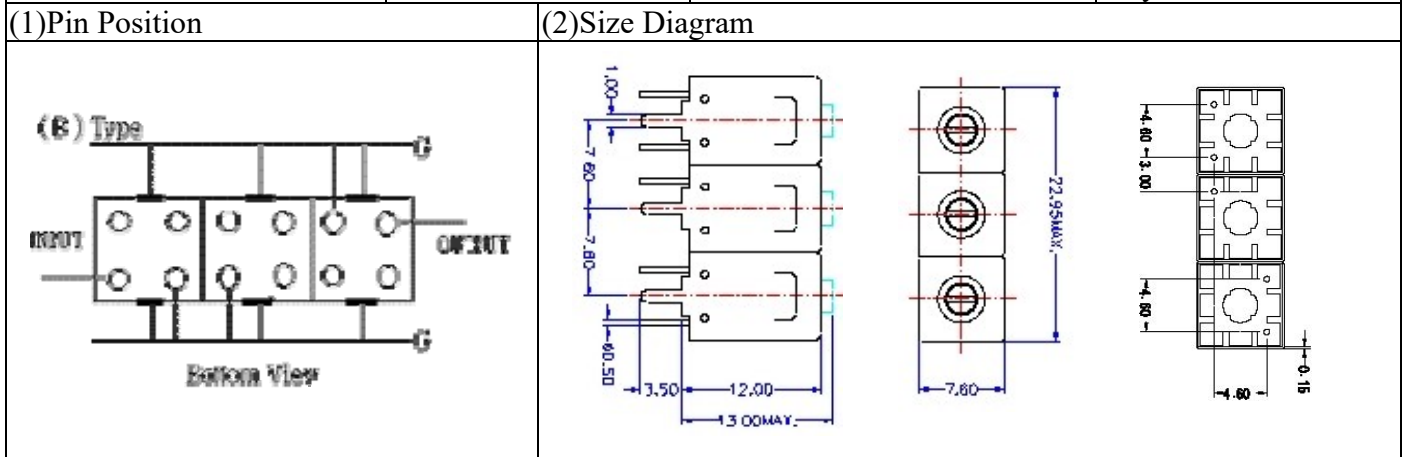


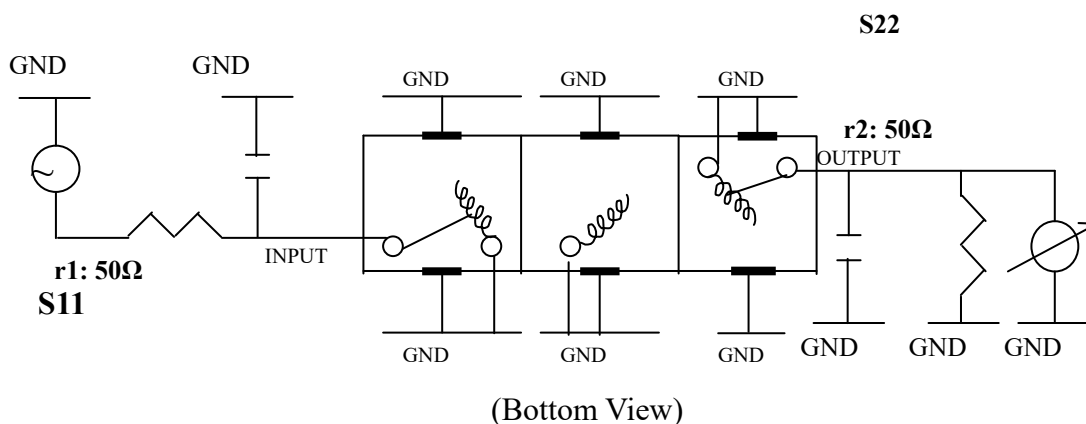
VHF UHF Helical Filter Specification Sheet

Customer Name		Temwell's Part No.	TT67796B-675M
Approval No. /dated		Temwell's Print name.	67796B 675M
Work Instruction No.	201305093B	Date	May.28.2013



(3) Electric Chararctic		Item	Specify
Center Freq.(Fo) +/- 0.5 %			675 MHz
Insertion Loss		Typ.	2.5 dB
-3 dB Bandwidth		Typ.	50 MHz
Sensitivity (Attenuation)	Fo - (100) MHz	Typ.	40 dBc
	Fo + (100) MHz	Typ.	25 dBc
	Fo - () MHz	Typ.	dBc
	Fo + () MHz	Typ.	dBc
Return Loss		Min.	12 dB
Ripple			< 1 dB
Impedance			In / Out : 50 Ω
(4) Torque for Tuning Screw			> 60gf · cm
(5) Temperature Condition:			
Operating Temperature			0°C ~ +60°C
Storage Temperature			-20°C ~ +70°C
(6) Input Power			> 1 Watt

(7) Measuring Circuit: ※Easy to match Impedance S11/S22 50Ω by parallel with about(--)

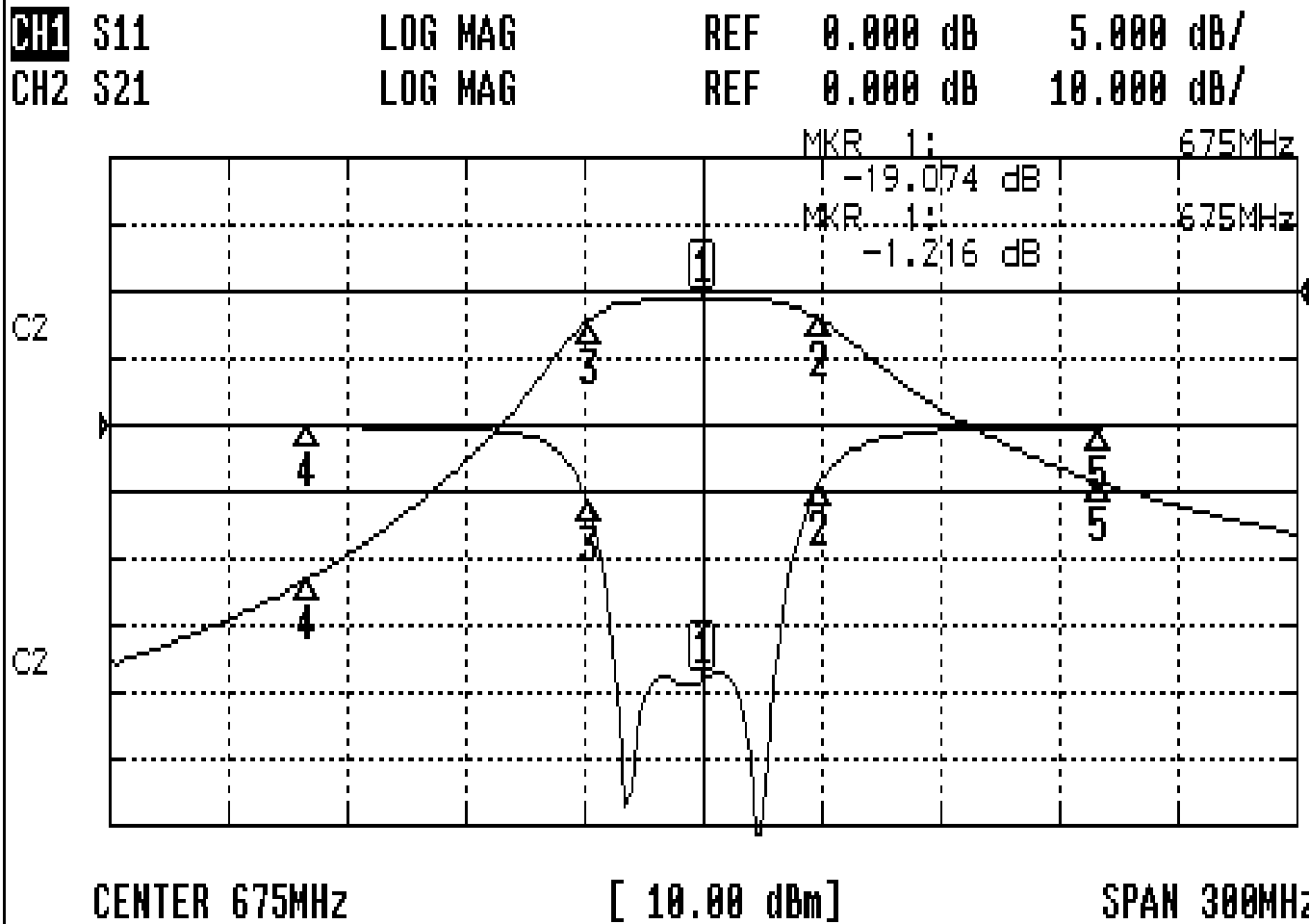


Approval	Supervisor	Designer	Aperture size
C.Y.Chang	C.K.Chang	C.S.Chang	7H3S(4*5.6)(5.66) 7H046RB5.5

TEMWELL CORPORATION

Performance-TT67796B-675M

201305093B



CH1 MARKER LIST

1:	675.000MHz	-19.074	dB
2:	704.750MHz	-4.331	dB
3:	646.000MHz	-5.854	dB
4:	575.000MHz	-0.124	dB
5:	775.000MHz	-0.153	dB
10:			

CH2 MARKER LIST

1:	675.000MHz	-1.216	dB
2:	704.750MHz	-4.220	dB
3:	646.000MHz	-4.214	dB
4:	575.000MHz	-42.977	dB
5:	775.000MHz	-28.512	dB
10:			