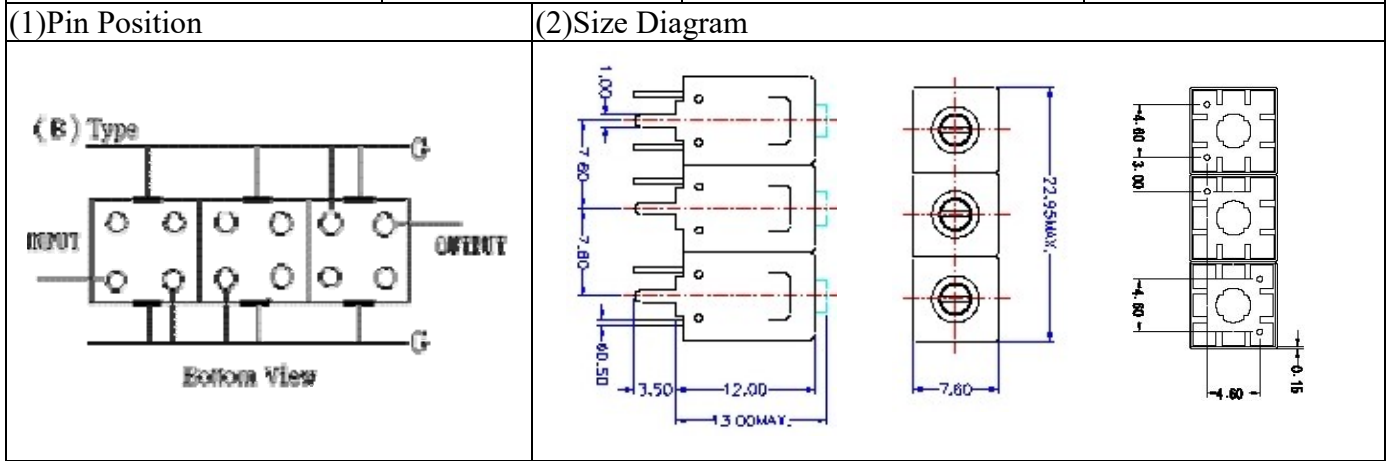


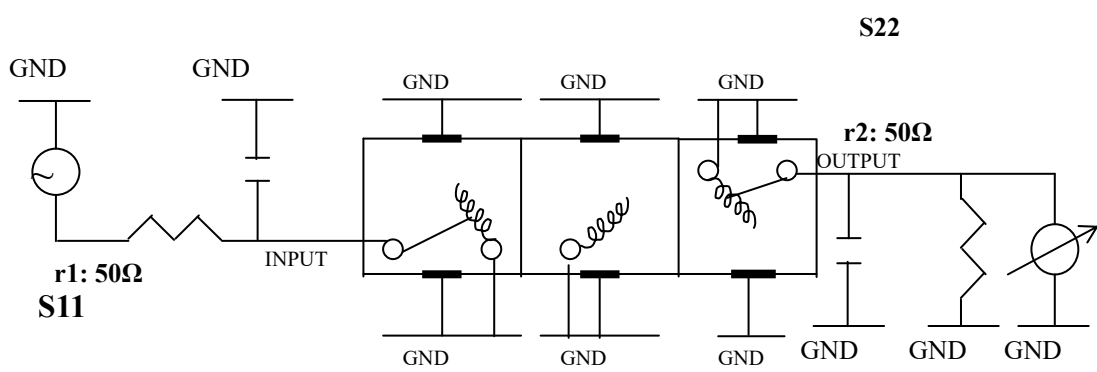
# VHF UHF Helical Filter Specification Sheet

Customer Name		Temwell's Part No.	TT67799B-845M
Approval No. /dated		Temwell's Print name.	67799B 845M
Work Instruction No.	201303064BD	Date	Mar.15.2013



(3) Electric Chararctic		Item	Specify
Center Freq.(Fo) +/- 0.5 %			845 MHz
Insertion Loss		Typ.	2.0 dB
-3 dB Bandwidth		Typ.	52 MHz
Sensitivity (Attenuation)	Fo - ( 100 ) MHz	Typ.	38 dBc
	Fo + ( 100 ) MHz	Typ.	27 dBc
	Fo - ( ) MHz	Typ.	dBc
	Fo + ( ) MHz	Typ.	dBc
Return Loss		Min.	12 dB
Ripple			< 1 dB
Impedance			In / Out : 50 Ω
(4) Torque for Tuning Screw			> 60gf · cm
(5) Temperature Condition:			
Operating Temperature			0°C ~ +60°C
Storage Temperature			-20°C ~ +70°C
(6) Input Power			> 1 Watt

(7) Measuring Circuit: ※Easy to match Impedance S11/S22 50Ω by parallel with about( -- )



(Bottom View)

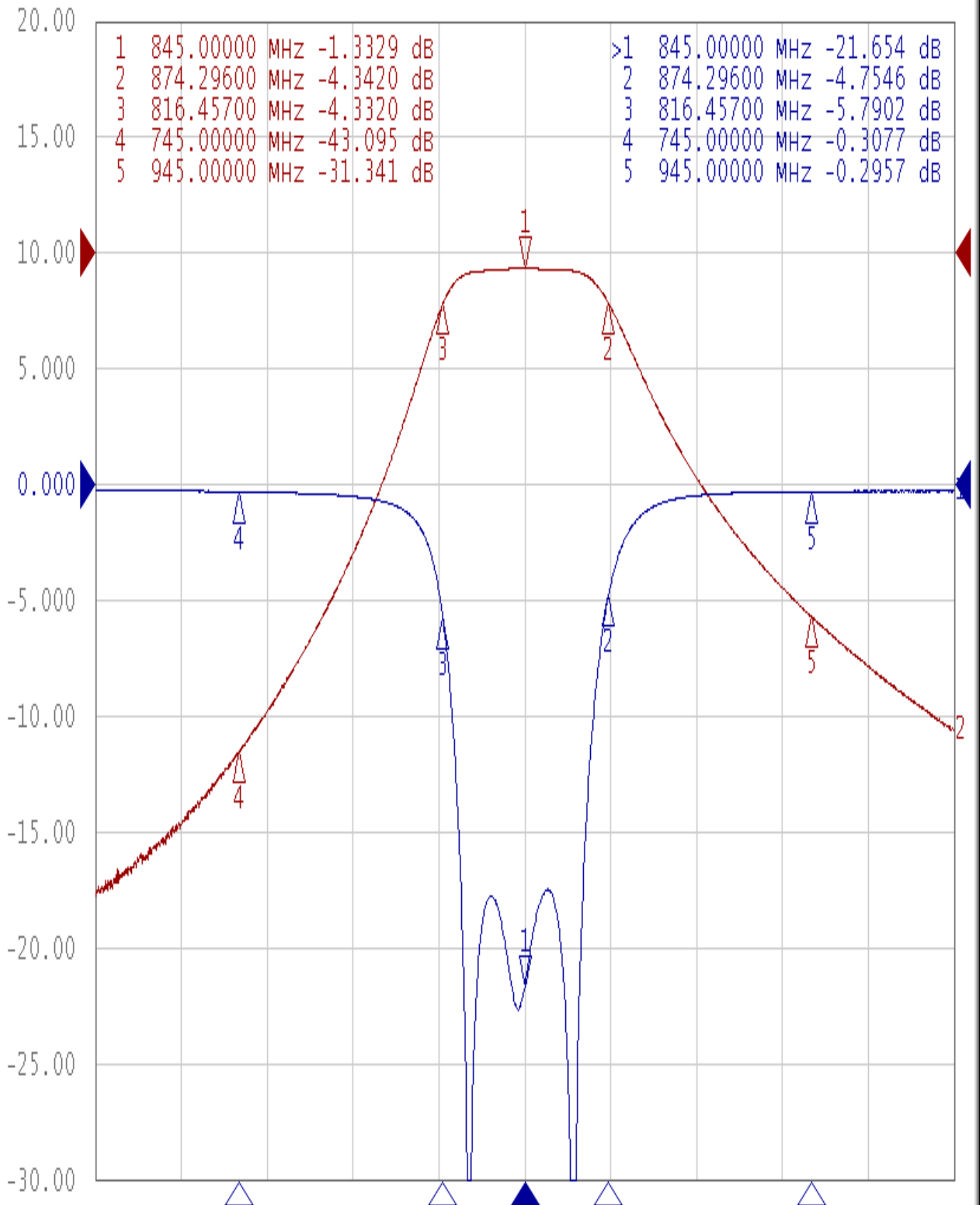
Approval	Supervisor	Designer	Aperture size
C.Y.Chang	C.K.Chang	C.S.Chang	7H3S(4*6.5)(6.62) 7H046RB5.5

TEMWELL CORPORATION

# Performance-TT67799B-845M

## 201303064BD

Tr1 S11 Log Mag 5.000dB/ Ref 0.000dB [F2]  
Tr2 S21 Log Mag 10.00dB/ Ref 0.000dB [F2]



1 Center 845 MHz

IFBW 10 kHz

Span 300 MHz Cor !