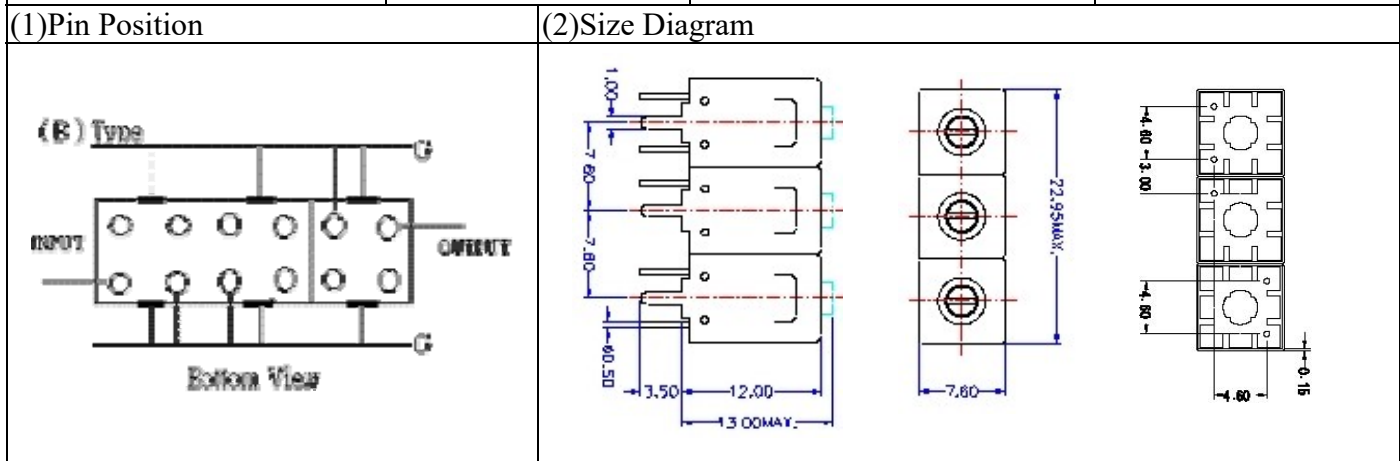


VHF UHF Helical Filter Specification Sheet

Customer Name		Temwell's Part No.	TT67829B-585M
Approval No. /dated		Temwell's Print name.	67829B 585M
Work Instruction No.	201303059BD	Date	Mar.13.2013



(3) Electric Characteristic

Item	Specify	
Center Freq.(Fo) +/- 0.5 %	585	MHz
Insertion Loss	Typ. 2.0	dB
-3 dB Bandwidth	Typ. 60	MHz
Sensitivity (Attenuation)	Fo - (100) MHz	Typ. 23 dBc
	Fo + (100) MHz	Typ. 17 dBc
	Fo - () MHz	Typ. dBc
	Fo + () MHz	Typ. dBc
Return Loss	Min. 12	dB
Ripple	< 1	dB
Impedance	In / Out : 50 Ω	

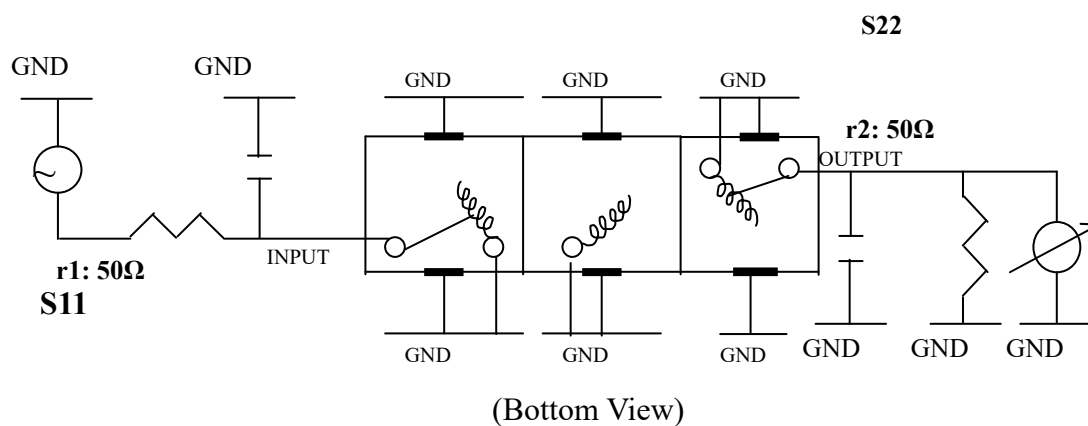
(4) Torque for Tuning Screw > 60gf · cm

(5) Temperature Condition:

Operating Temperature	0°C ~ +60°C
Storage Temperature	-20°C ~ +70°C

(6) Input Power > 1Watt

(7) Measuring Circuit: ※Easy to match Impedance S11/S22 50Ω by parallel with about(--)



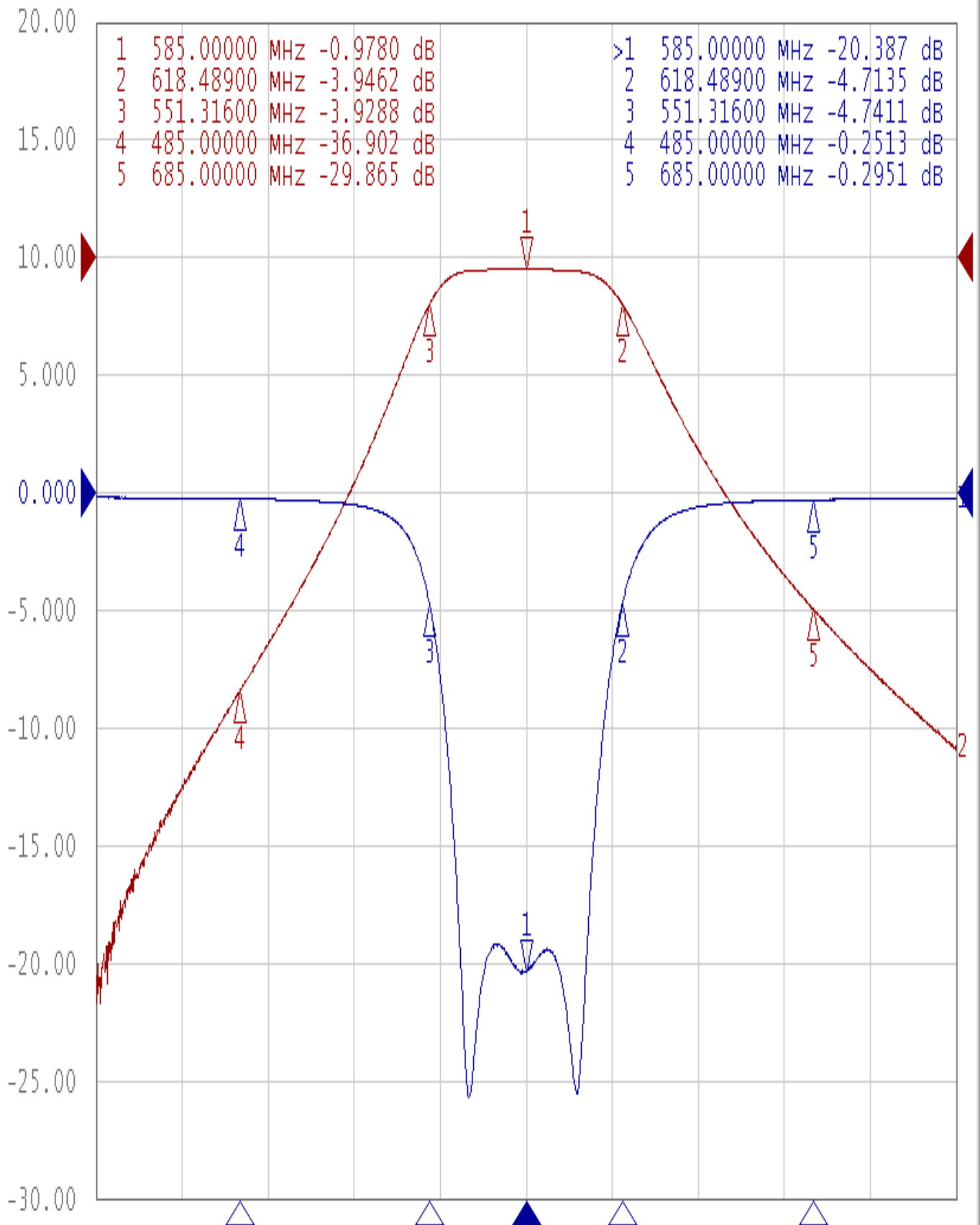
Approval C.Y.Chang	Supervisor C.K.Chang	Designer C.S.Chang	Aperture size 7H3S(4*6.5)(6.56) 7H046LB5.5
-----------------------	-------------------------	-----------------------	--

TEMWELL CORPORATION

Performance-TT67829B-585M

201303059BD

▶ Tr1 S11 Log Mag 5.000dB/ Ref 0.000dB [F2]
Tr2 S21 Log Mag 10.00dB/ Ref 0.000dB [F2]



1 Center 585 MHz

IFBW 10 kHz

Span 300 MHz Cor !