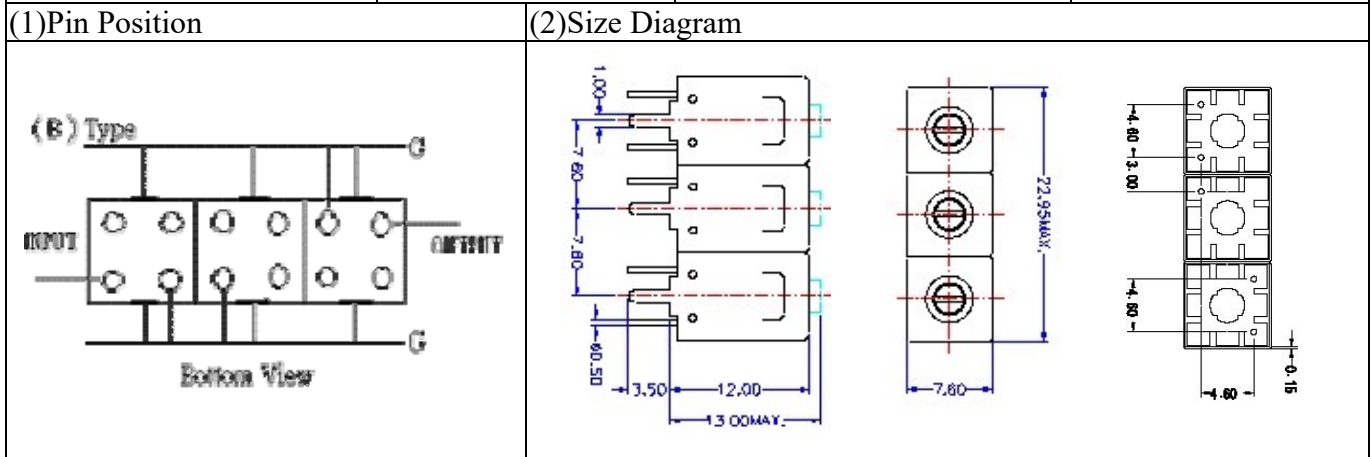
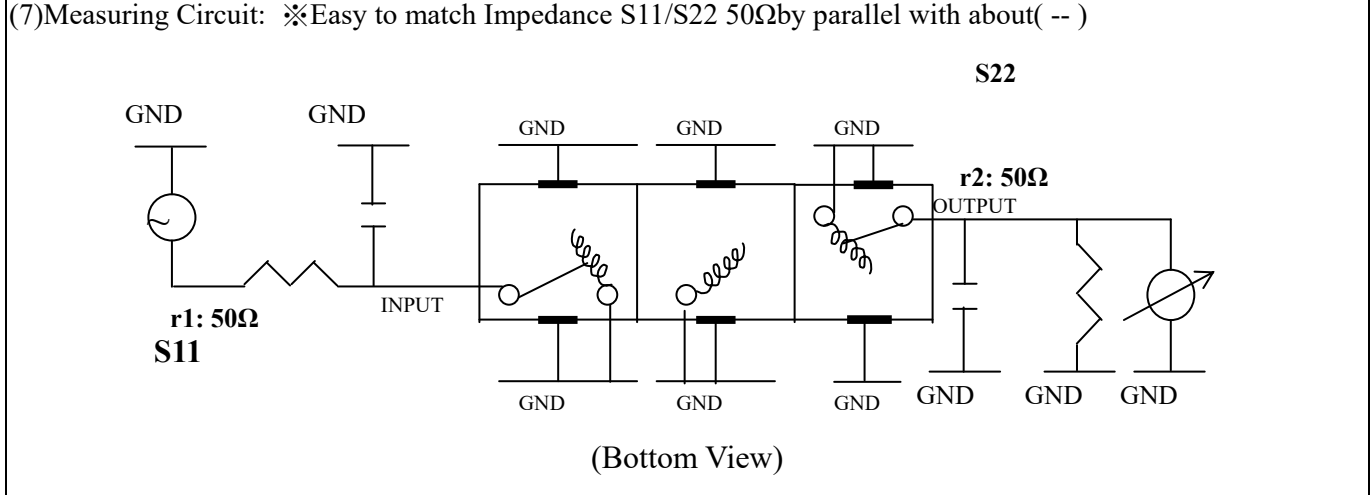


# VHF UHF Helical Filter Specification Sheet

Customer Name		Temwell's Part No.	TT67830B-630M
Approval No. /dated		Temwell's Print name.	67830B 630M
Work Instruction No.	201303060BD	Date	Mar.13.2013



(3) Electric Chararistic		Item	Specify
Center Freq.(Fo) +/- 0.5 %			630 MHz
Insertion Loss		Typ.	2.0 dB
-3 dB Bandwidth		Typ.	60 MHz
Sensitivity (Attenuation)	Fo - ( 100 ) MHz	Typ.	38 dBc
	Fo + ( 100 ) MHz	Typ.	22 dBc
	Fo - ( ) MHz	Typ.	dBc
	Fo + ( ) MHz	Typ.	dBc
Return Loss		Min.	12 dB
Ripple			< 1 dB
Impedance			In / Out : 50 Ω
(4) Torque for Tuning Screw			> 60gf · cm
(5) Temperature Condition:			
Operating Temperature			0°C ~ +60°C
Storage Temperature			-20°C ~ +70°C
(6) Input Power			> 1 Watt



Approval	Supervisor	Designer	Aperture size
C.Y.Chang	C.K.Chang	C.S.Chang	7H3S(4*6.5)(6.56) 7H046RB5.5

TEMWELL CORPORATION

# Performance-TT67830B-630M

## 201303060BD

