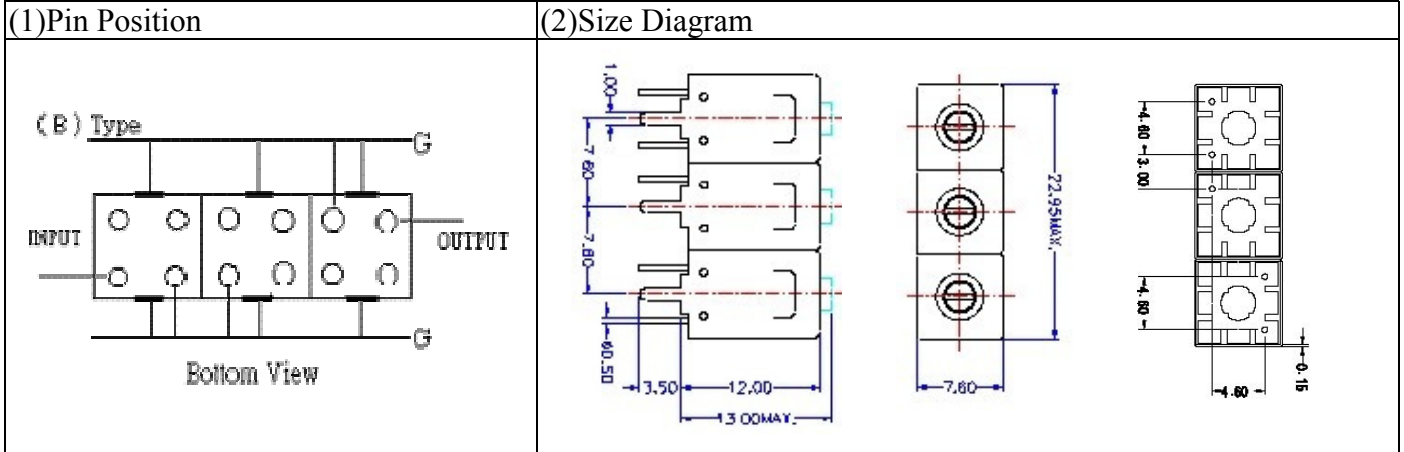


VHF UHF Helical Filter Specification Sheet

Customer Name		Temwell's Part No.	TT67845B-700M
Approval No. /dated	201406005CD	Temwell's Print name.	67845B 700M
Work Instruction No.	201406005CD	Date	Jun.13.2014



(3) Electric Chararistic

Item	Specify	
Center Freq.(Fo) +/- 0.5 %	700	MHz
Insertion Loss	Typ. 3.0	dB
-3 dB Bandwidth	Typ. 20	MHz
Sensitivity (Attenuation)	Fo - (50) MHz	Typ. 36 dBc
	Fo + (50) MHz	Typ. 24 dBc
	Fo - () MHz	Typ. dBc
	Fo + () MHz	Typ. dBc
Return Loss	Min. 12	dB
Ripple	< 1	dB
Impedance	In / Out : 50 Ω	

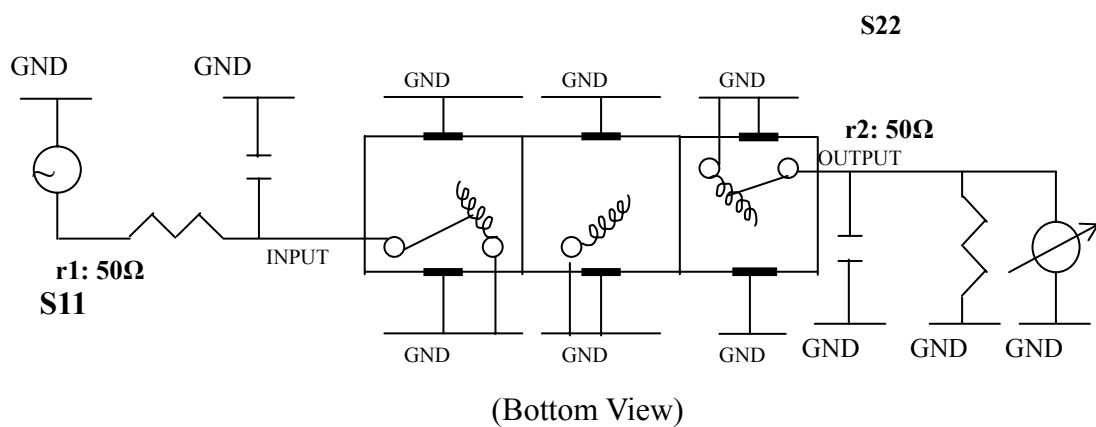
(4) Torque for Tuning Screw > 60gf · cm

(5) Temperature Condition:

Operating Temperature	0°C ~ +60°C
Storage Temperature	-20°C ~ +70°C

(6) Input Power > 1Watt

(7) Measuring Circuit: ※Easy to match Impedance S11/S22 50Ω by parallel with about(- -).



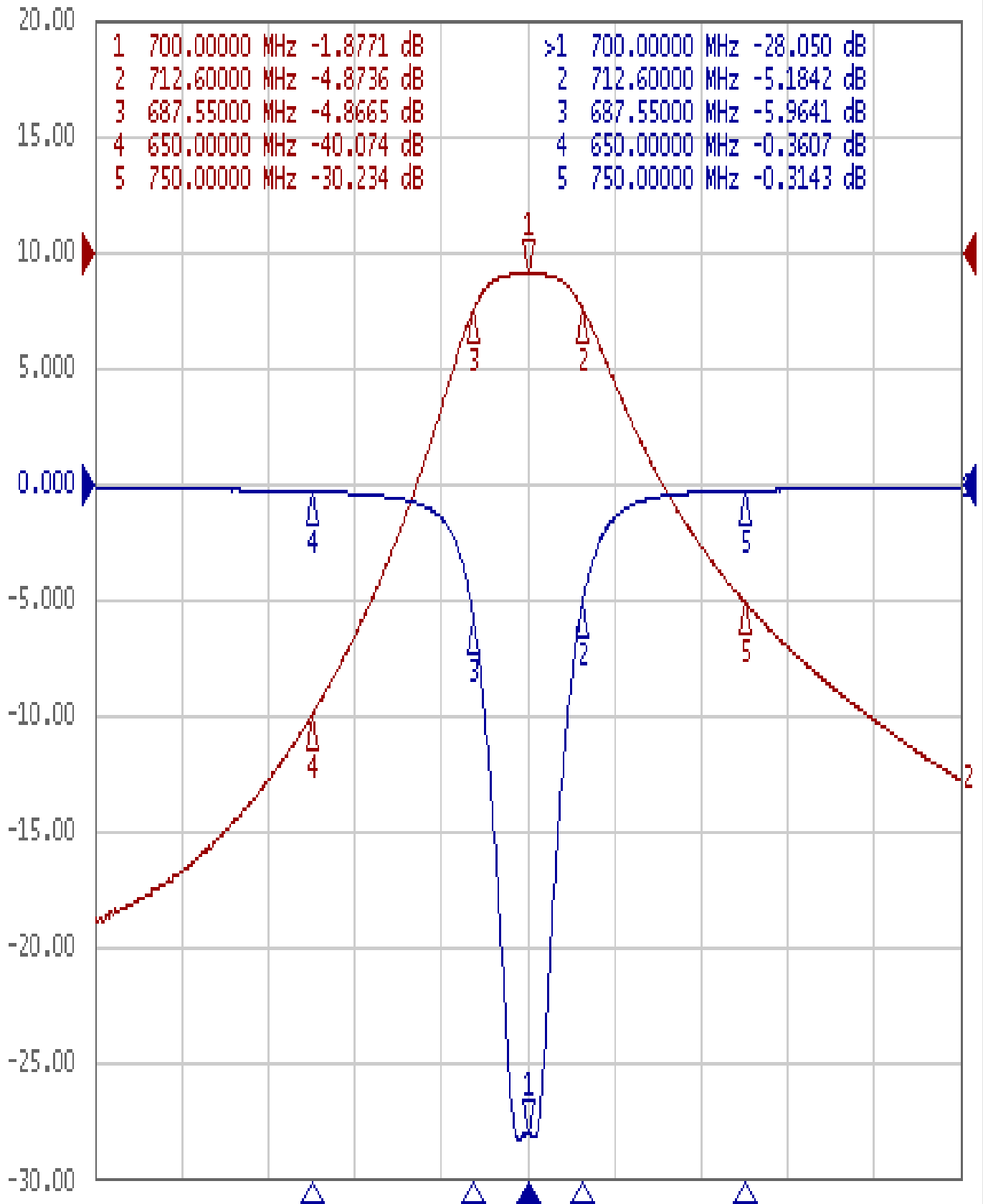
Approval C.Y.Chang	Supervisor C.K.Chang	Designer C.Ko.Chang	Aperture size 7H3S(4*5.6)(5.68) 7H046RB4
TEMWELL CORPORATION			

Performance-TT67845B-700M

201406005CD

Tr1 S11 Log Mag 5.000dB/ Ref 0.000dB [F2]

Tr2 S21 Log Mag 10.00dB/ Ref 0.000dB [F2]



1 Center 700 MHz

IFBW 10 kHz

Span 200 MHz

Cor !