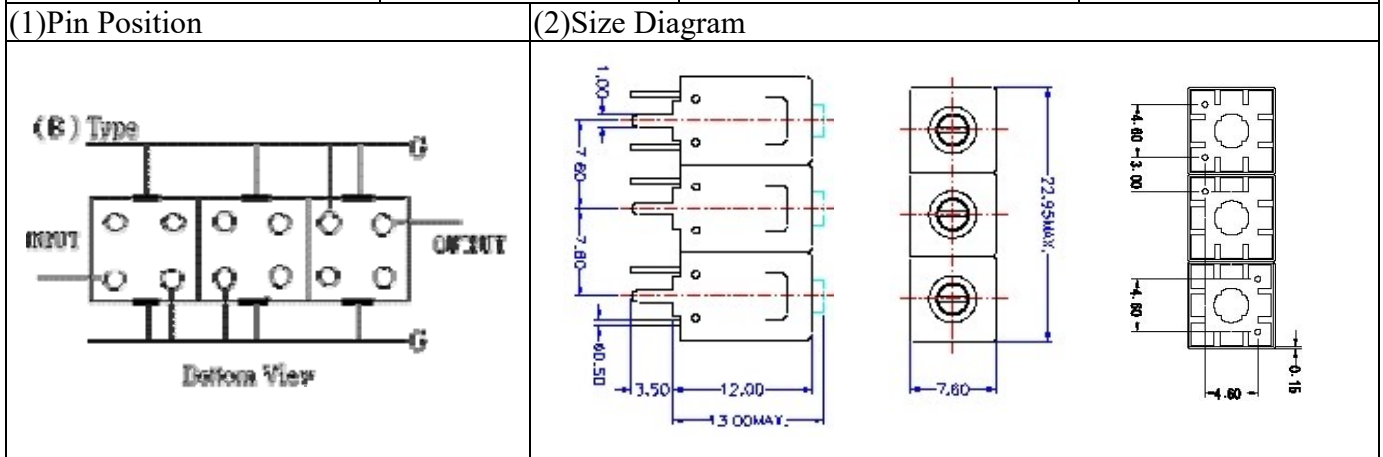


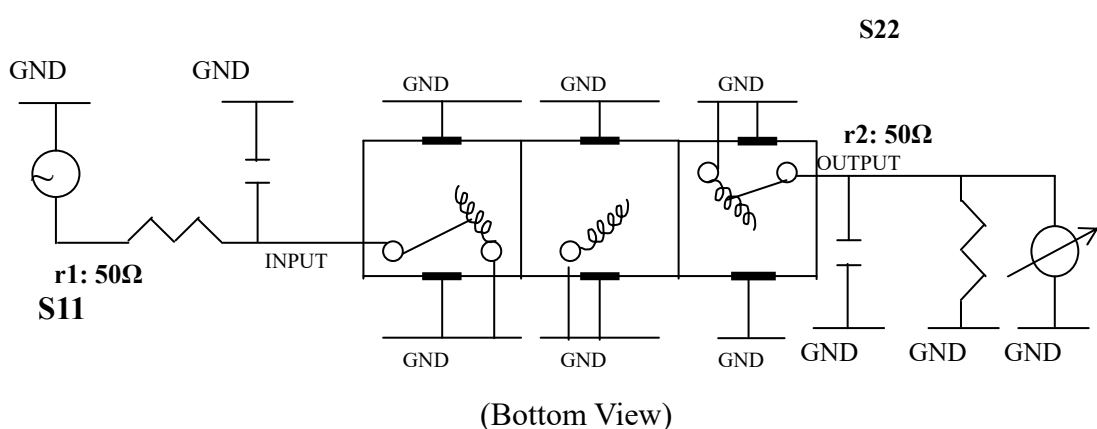
VHF UHF Helical Filter Specification Sheet

Customer Name		Temwell's Part No.	TT67857B-805M
Approval No. /dated		Temwell's Print name.	67857B 805M
Work Instruction No.	201905130C	Date	Jun.21.2019



(3) Electric Chararistic		Item	Specify
Center Freq.(Fo) +/- 0.5 %			805 MHz
Insertion Loss		Typ.	2.0 dB
-3 dB Bandwidth		Typ.	140 MHz
Sensitivity (Attenuation)	Fo - 200 MHz	Typ.	40 dBc
	Fo + 200 MHz	Typ.	19 dBc
	Fo - () MHz	Typ.	dBc
	Fo + () MHz	Typ.	dBc
Return Loss		Min.	12 dB
Ripple			< 1 dB
Impedance			In / Out : 50 Ω
(4) Torque for Tuning Screw			> 60gf · cm
(5) Temperature Condition:			
Operating Temperature			0°C ~ +60°C
Storage Temperature			-20°C ~ +70°C
(6) Input Power			> 1Watt

(7) Measuring Circuit: ※Easy to match Impedance S11/S22 50Ω by parallel with about(- -).

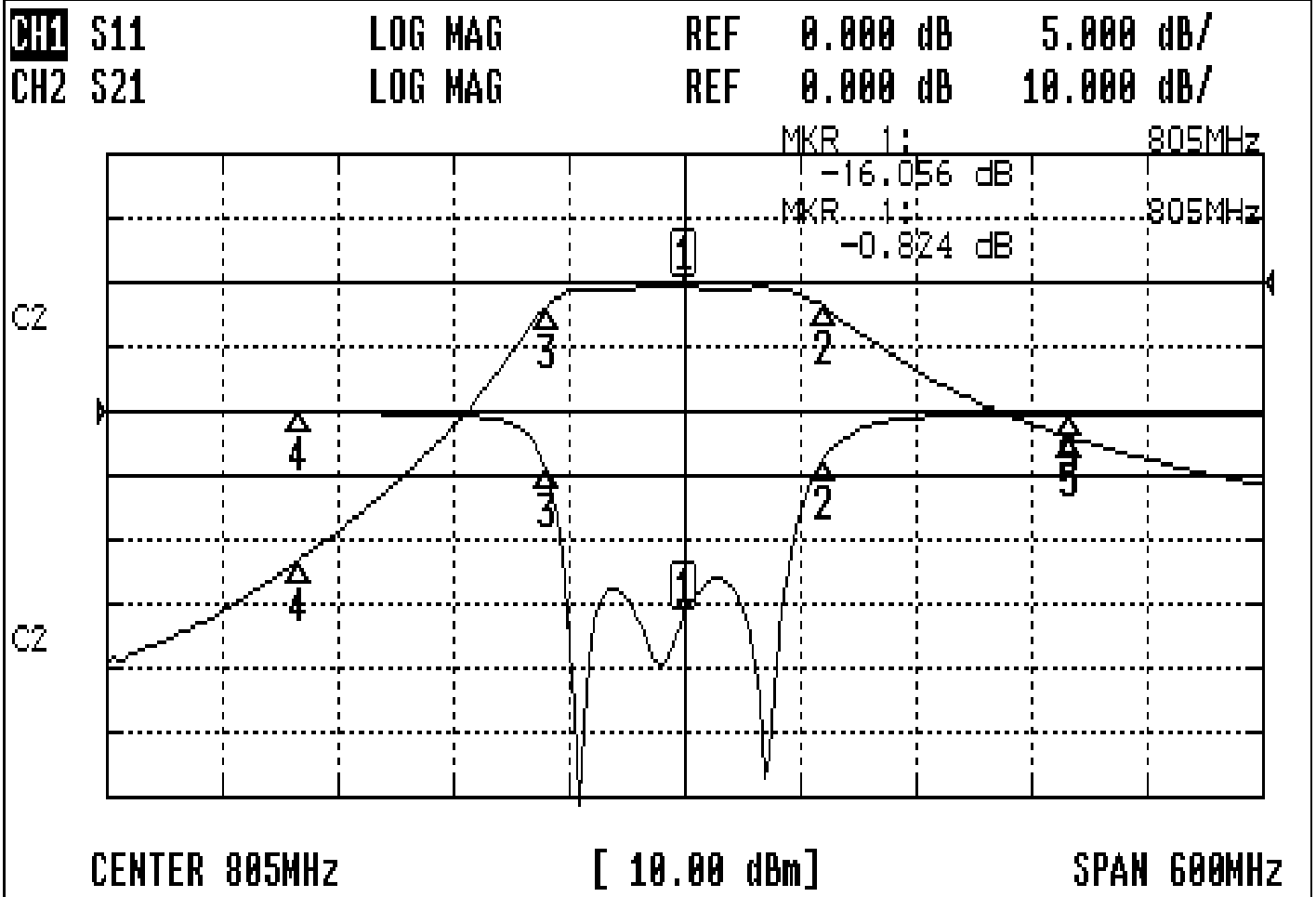


Approval C.Y.Chang	Supervisor C.K.Chang	Designer C.S.Chang	Aperture size 7H3S(4*8.0)(8.02) 7H046RB6.5
-----------------------	-------------------------	-----------------------	--------------------------------------------------

TEMWELL CORPORATION

Performance-TT67857B-805M

201905130C



CH1 MARKER LIST

1:	805.000MHz	-16.056	dB	
2:	877.350MHz	-3.702	dB	
3:	733.000MHz	-4.402	dB	
4:	605.000MHz	-0.098	dB	
5:	1.005 000GHz	-0.173	dB	

CH2 MARKER LIST

1:	805.000MHz	-0.824	dB	
2:	877.350MHz	-3.000	dB	
3:	733.000MHz	-3.000	dB	
4:	605.000MHz	-43.054	dB	
5:	1.005 000GHz	-24.032	dB	