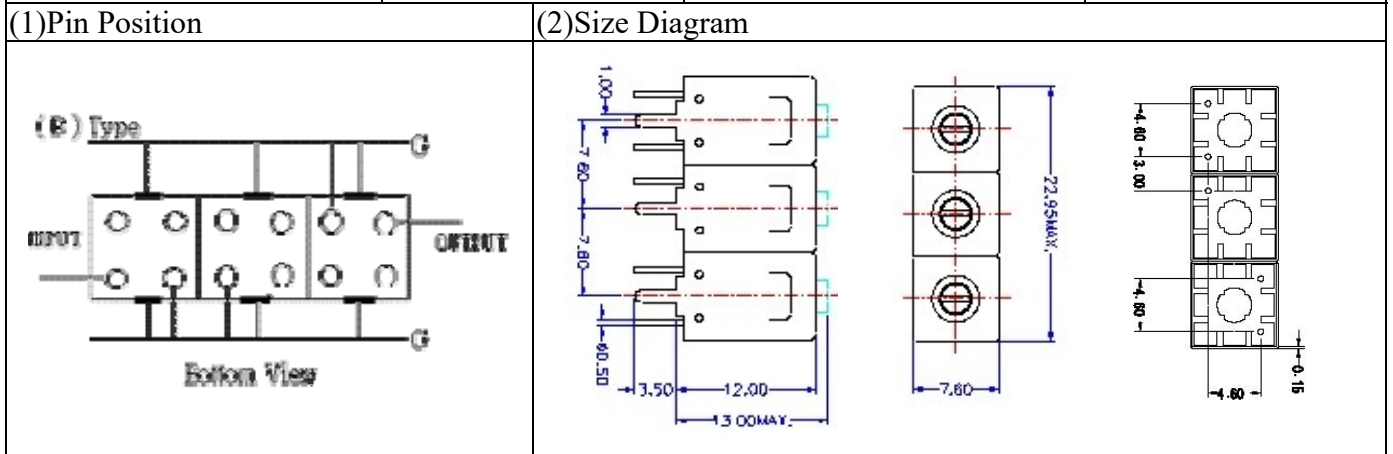
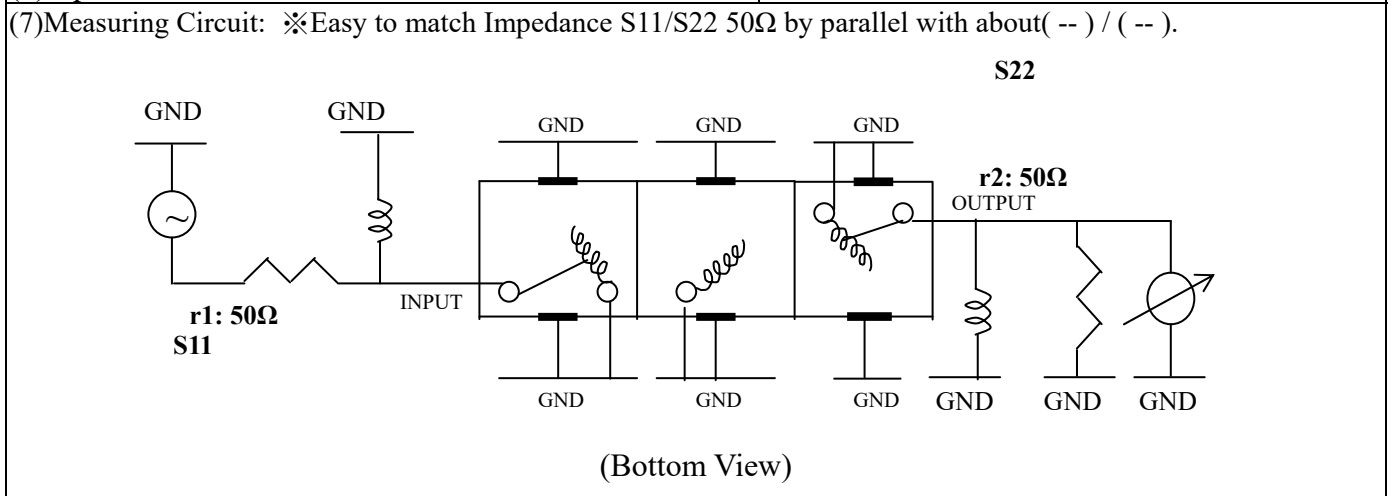


VHF UHF Helical Filter Specification Sheet

Customer Name		Temwell's Part No.	TT67857B-819M
Approval No. /dated		Temwell's Print name	67857B 819M
Work Instruction No.	201411019C	Date	Nov.14.2014



(3) Electric Chararctic		Item	Specify
Center Freq.(Fo) +/- 0.5 %			819 MHz
Insertion Loss		Typ.	2.0 dB
-3 dB Bandwidth		Typ.	140 MHz
Sensitivity (Attenuation)	Fo - 200 MHz	Typ.	40 dBc
	Fo + 200 MH	Typ.	17 dBc
	Fo - ()MHz	Typ.	dBc
	Fo +()MHz	Typ.	dBc
Return Loss		Min.	12 dB
Ripple			< 1 dB
Impedance			In / Out : 50 Ω
(4) Torque for Tuning Screw			> 60gf · cm
(5) Temperature Condition:			
Operating Temperature			0°C ~ +60°C
Storage Temperature			-20°C ~ +70°C
(6) Input Power			> 1 Watt



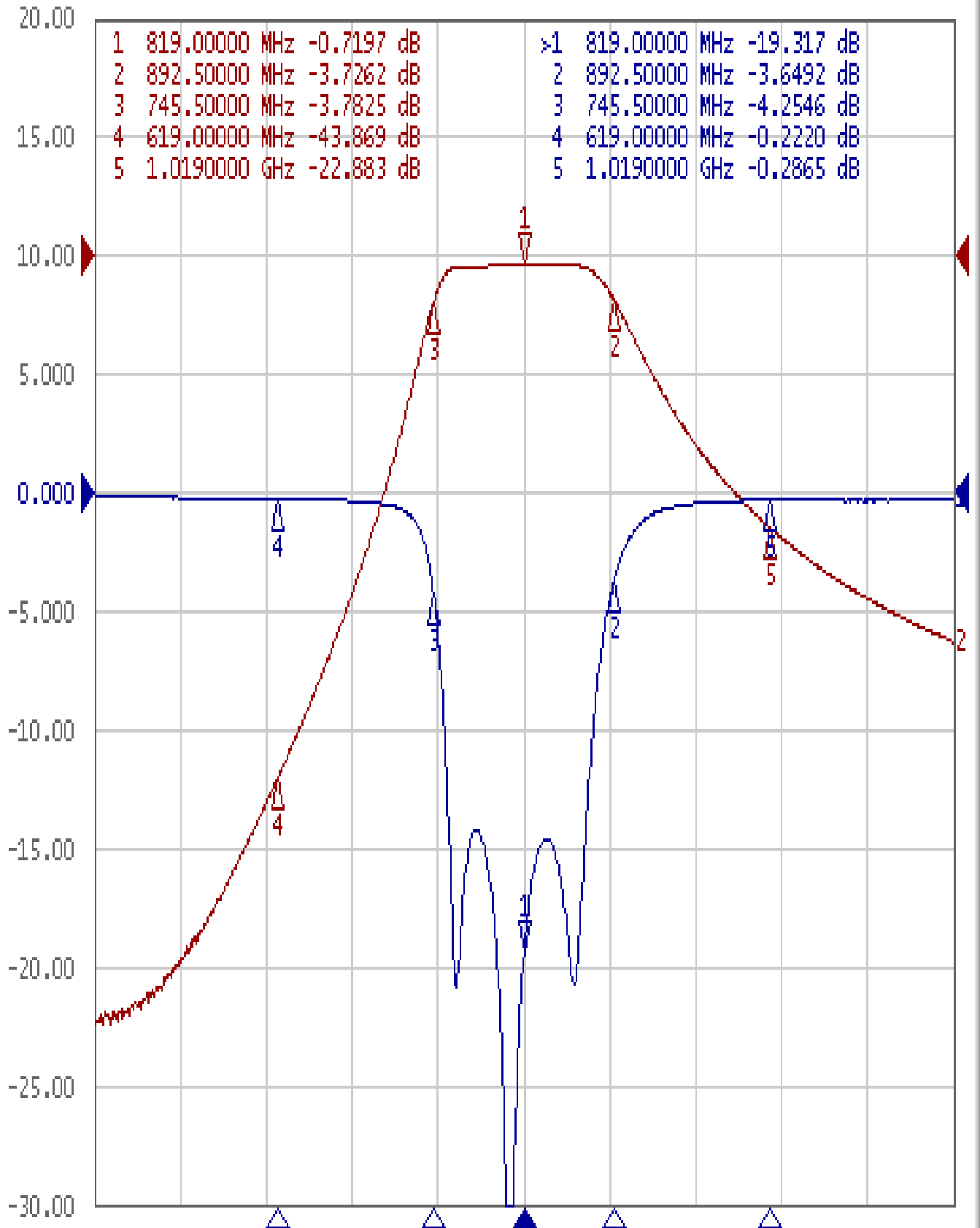
Approval C.Y.Chang	Supervisor C.K.Chang	Designer F.L.Lai	Aperture size 7H3S(4*8.0)(8.04) 7H046RB6.5
TEMWELL CORPORATION			

Performance-TT67857B-819M

201411019C

Tr1 S11 Log Mag 5.000dB/ Ref 0.000dB [F2]

Tr2 S21 Log Mag 10.00dB/ Ref 0.000dB [F2]



1 Center 819 MHz

IFBW 10 kHz

Span 700 MHz Cor |