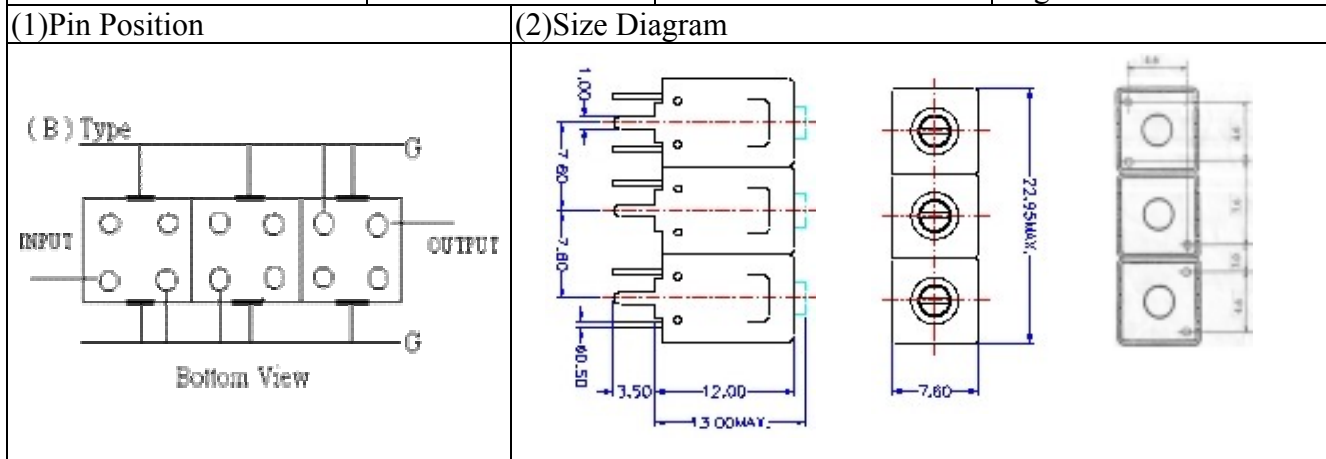
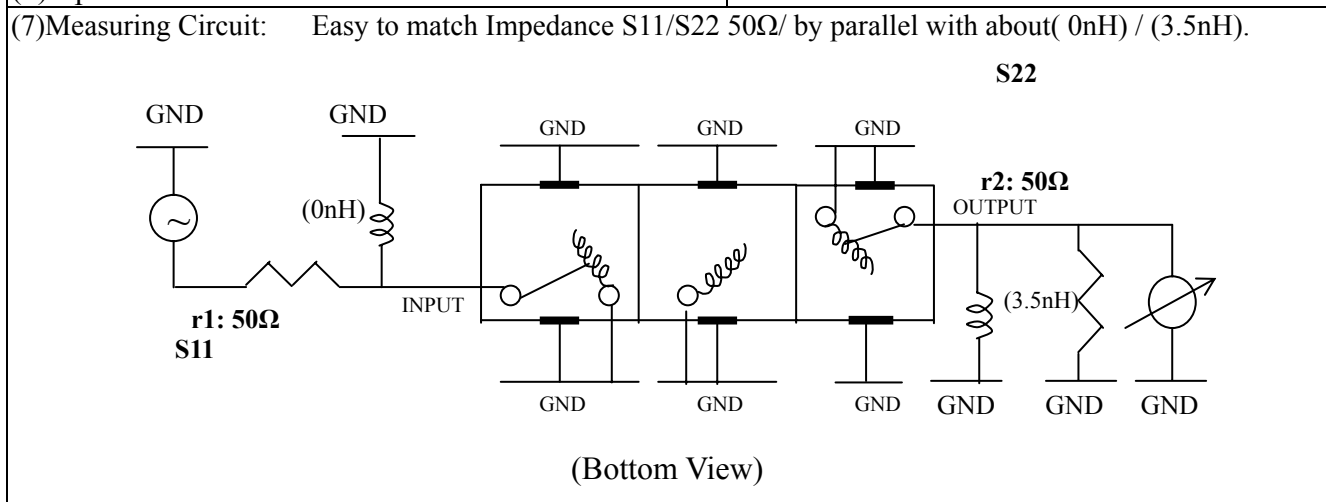


VHF UHF Helical Filter Specification Sheet

Customer Name		Temwell's Part No.	TT67859B-850M
Approval No. /dated	0604024APR	Customer Print Name	
Work Instruction No.	0604024DC	Date	Aug.28.2006



(3) Electric Character		Item	Specify
		Center Freq.(Fo) +/- 0.5 %	850 MHz
		Tunable Range	850±5 MHz
		Insertion Loss	Typ. 1.5 dB
		-3 dB Bandwidth	Typ. 100 MHz
Sensitivity (Attenuation)	Fo - 200 MHz	Typ. 40	dBc
	Fo + 200 MHz	Typ. 17	dBc
	Fo - ()MHz	Typ.	dBc
	Fo + ()MHz	Typ.	dBc
		Return Loss	Min. 12 dB
		Ripple	< 1 dB
		Impedance	In / Out : 50 Ω
(4) Torque for Tuning Screw		> 100gf cm	
(5) Temperature Condition:			
Operating Temperature		0 ~ +60	
Storage Temperature		-20 ~ +70	
(6) Input Power		> 1Watt	

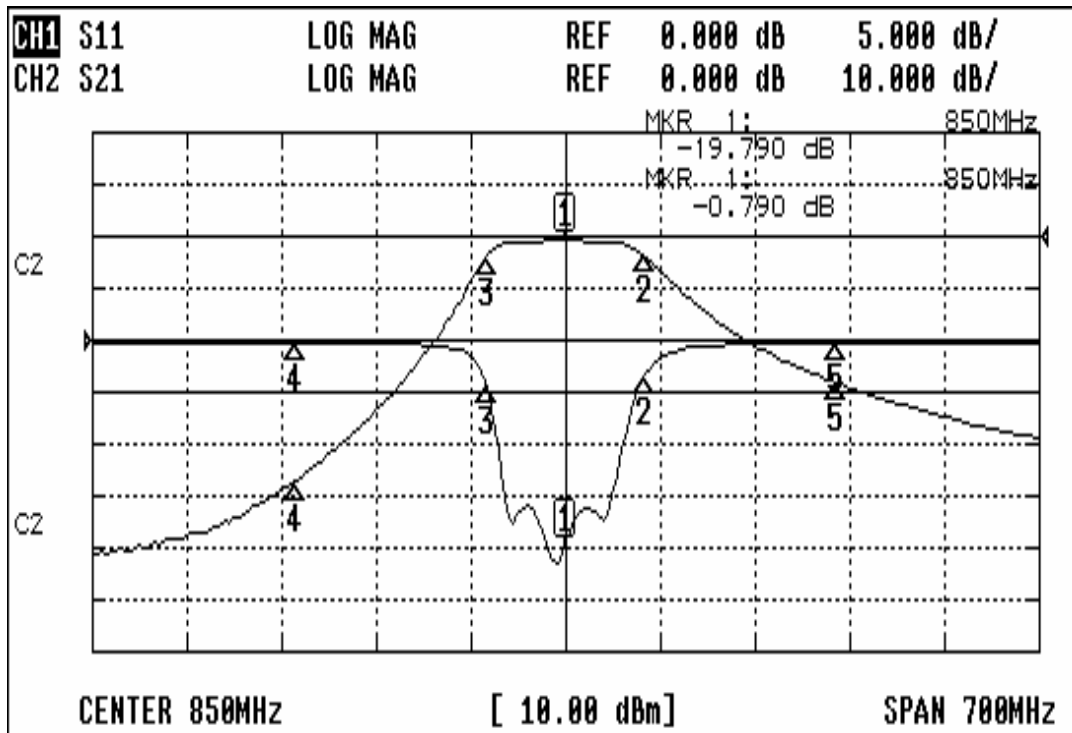


Approval	Supervisor	Designer	Aperture size
C.Y.Chang	C.S.Chang	W.W.Wang	7H3S(4*6.5)(5.58)F 7H046RB6.5

TEMWELL CORPORATION

Performance-TT67859B-850M

0604024DC



CH1 MARKER LIST

1:	850.000MHz	-19.790 dB
2:	908.333MHz	-3.642 dB
3:	791.666MHz	-4.412 dB
4:	650.000MHz	-0.276 dB
5:	1.050 000GHz	-0.339 dB
6:		
7:		
8:		
9:		
10:		

CH2 MARKER LIST

1:	850.000MHz	-0.790 dB
2:	908.333MHz	-3.784 dB
3:	791.666MHz	-3.841 dB
4:	650.000MHz	-47.105 dB
5:	1.050 000GHz	-28.206 dB
6:		
7:		
8:		
9:		
10:		