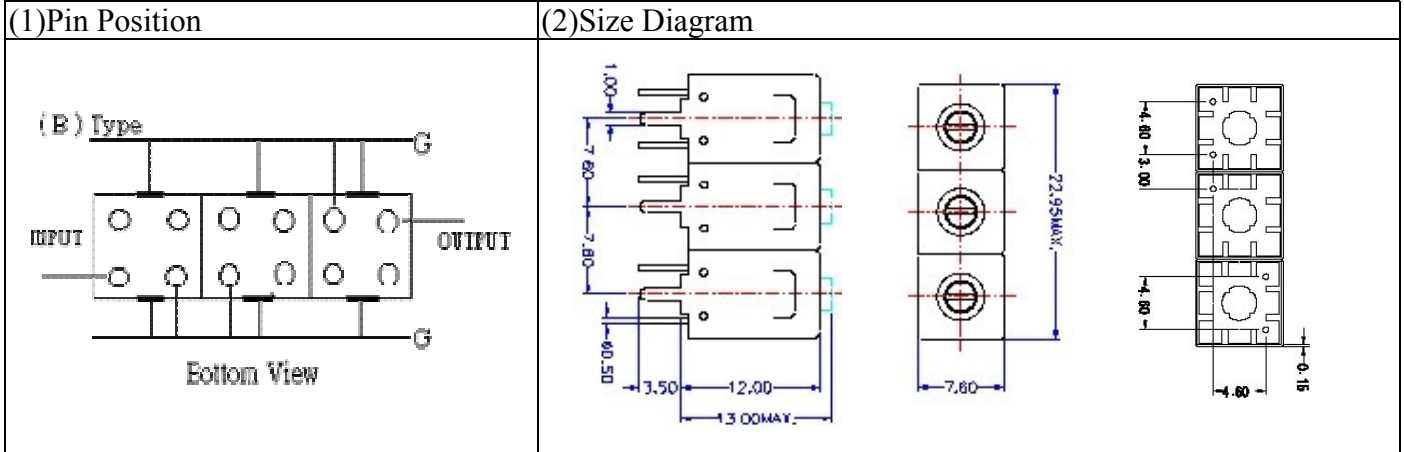


VHF UHF Helical Filter Specification Sheet

Customer Name		Temwell's Part No.	TT67861B-925M
Approval No. /dated		Temwell's Print name	67861B 925M
Work Instruction No.	201504043C	Date	Apr.30.2015



(3) Electric Characteristic

Item	Specify	
Center Freq.(Fo) +/- 0.5 %	925	MHz
Insertion Loss	Typ. 2.0	dB
-3 dB Bandwidth	Typ. 120	MHz
Sensitivity (Attenuation)	Fo - 200 MHz	Typ. 36 dBc
	Fo + 200 MHz	Typ. 14 dBc
	Fo - ()MHz	Typ. dBc
	Fo +()MHz	Typ. dBc
Return Loss	Min. 12	dB
Ripple	< 1	dB
Impedance	In / Out : 50 Ω	

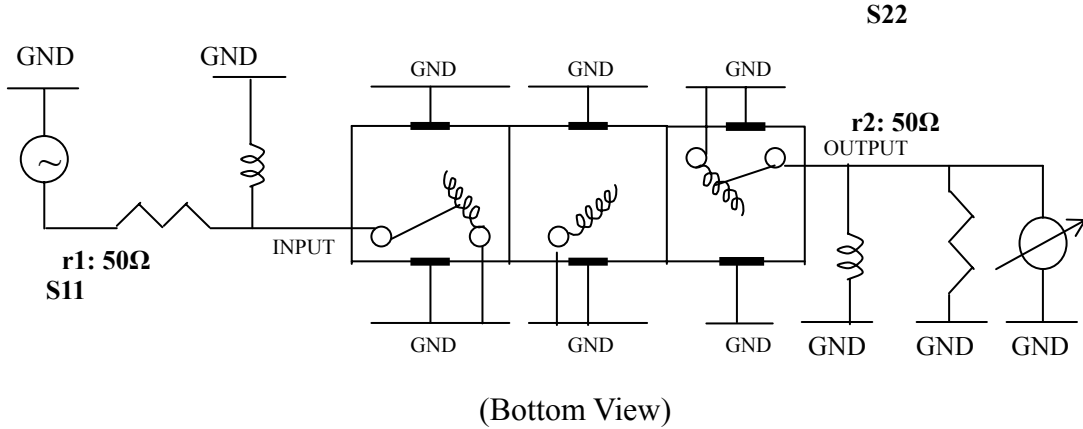
(4) Torque for Tuning Screw > 100gf · cm

(5) Temperature Condition:

Operating Temperature	0°C ~ +60°C
Storage Temperature	-20°C ~ +70°C

(6) Input Power > 1Watt

(7) Measuring Circuit: ※Easy to match Impedance S11/S22 50Ω by parallel with about(--) / (--).

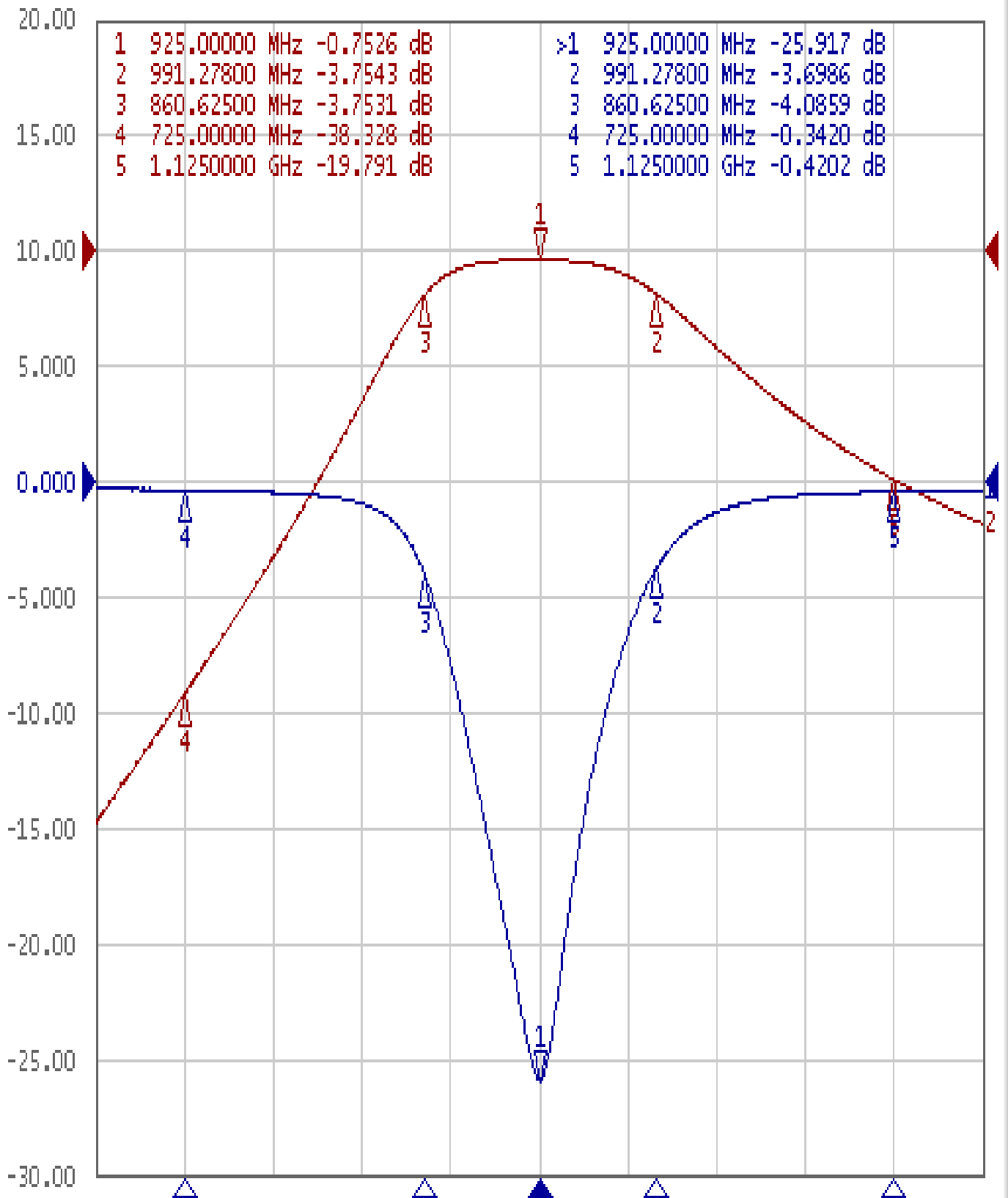


Approval	Supervisor	Designer	Aperture size
C.Y.Chang	C.K.Chang	C.S.Chang	7H3S(4*8.0)(8.02) 7H046RB6.5(J1)
TEMWELL CORPORATION			

Performance-TT67861B-925M

201504043C

Tr1 S11 Log Mag 5.000dB/ Ref 0.000dB [F2]
Tr2 S21 Log Mag 10.00dB/ Ref 0.000dB [F2]



1 Center 925 MHz

IFBW 10 kHz

Span 500 MHz Cor !