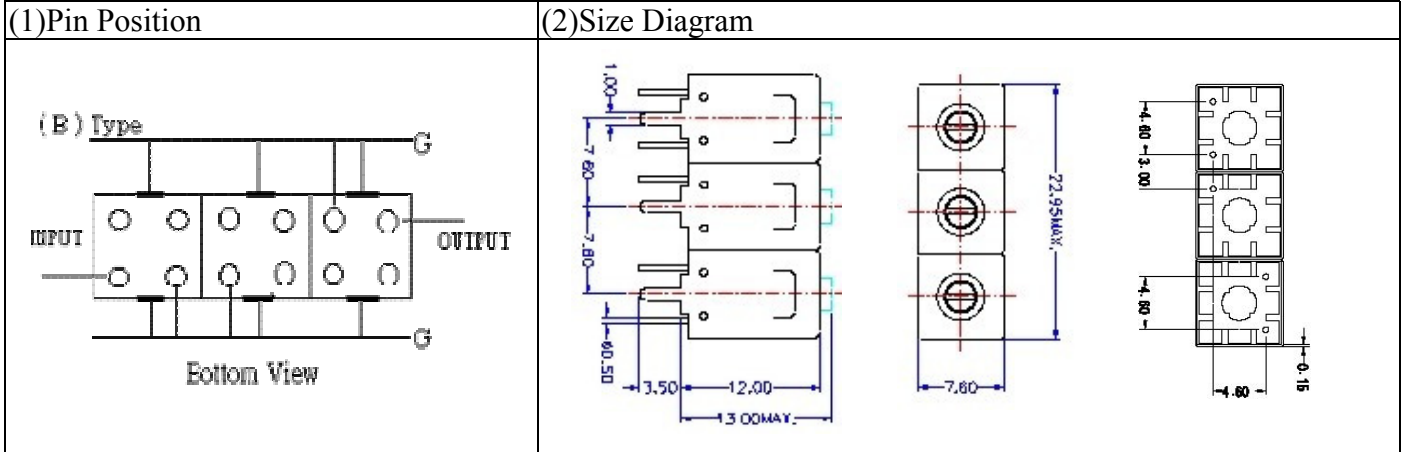


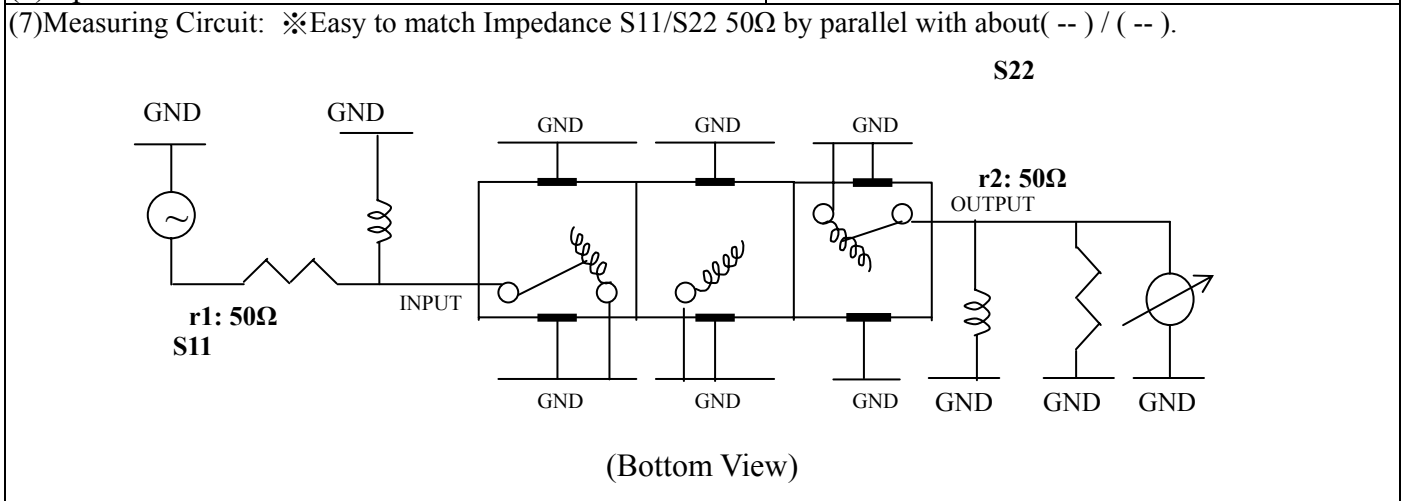
VHF UHF Helical Filter Specification Sheet

Customer Name		Temwell's Part No.	TT67862B-975M
Approval No. /dated		Temwell's Print name	67862B 975M
Work Instruction No.	201504045C	Date	May.25.2015



(3) Electric Characteristic		Item	Specify
		Center Freq.(Fo) +/- 0.5 %	975 MHz
		Insertion Loss	Typ. 2.5 dB
		-3 dB Bandwidth	Typ. 120 MHz
Sensitivity (Attenuation)	Fo - 200 MHz	Typ. 40 dBc	
	Fo + 200 MHz	Typ. 19 dBc	
	Fo - ()MHz	Typ. dBc	
	Fo +()MHz	Typ. dBc	
		Return Loss	Min. 12 dB
		Ripple	< 1 dB
		Impedance	In / Out : 50 Ω
(4) Torque for Tuning Screw			> 100gf · cm

(5) Temperature Condition:	
Operating Temperature	0°C ~ +60°C
Storage Temperature	-20°C ~ +70°C
(6) Input Power	> 1Watt



Approval	Supervisor	Designer	Aperture size
C.Y.Chang	C.K.Chang	C.S.Chang	7H3S(4*8.0)(8.02) 7H046RB6.5
TEMWELL CORPORATION			

Performance-TT67862B-975M-120M

201504045C

