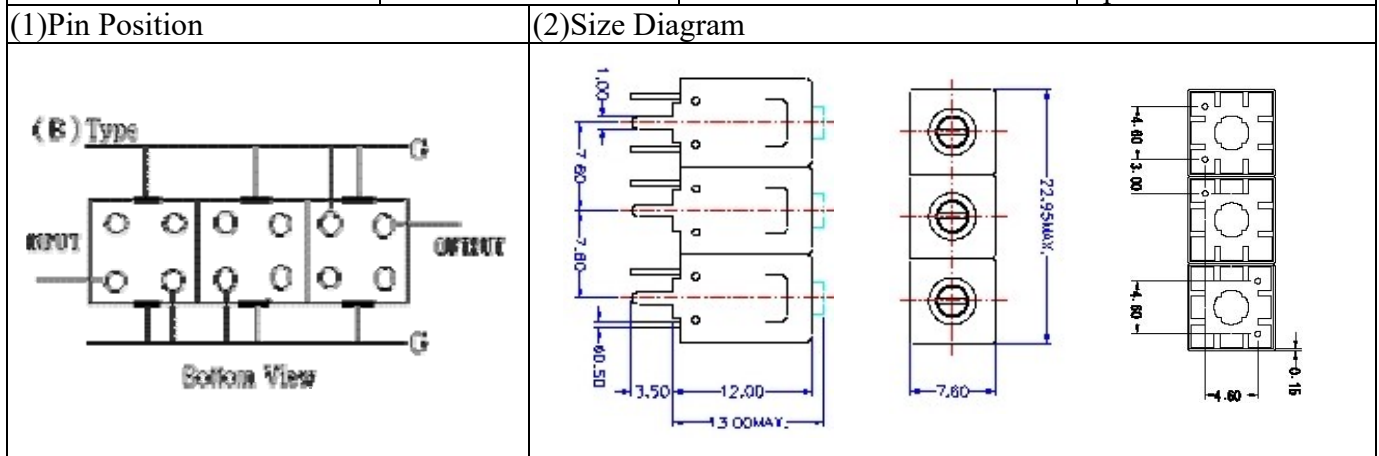


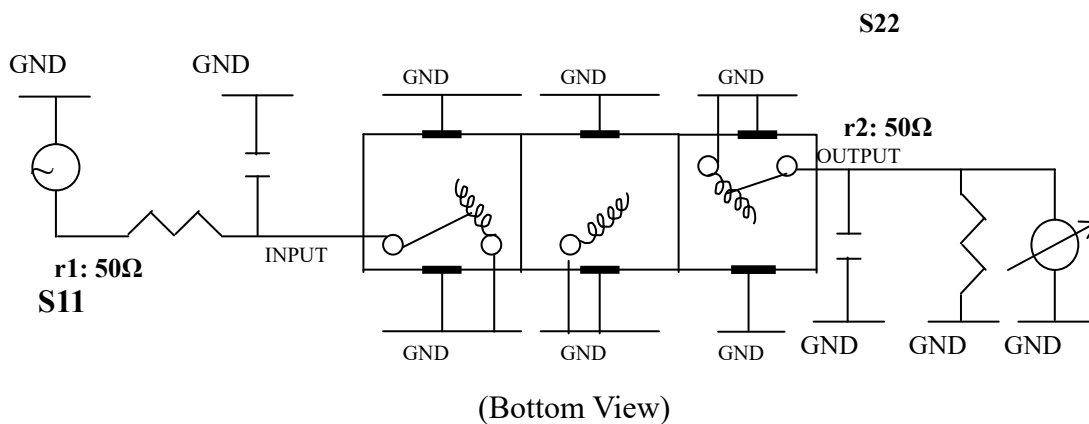
# VHF UHF Helical Filter Specification Sheet

Customer Name		Temwell's Part No.	TT67863B-1025M
Approval No. /dated		Temwell's Print name.	67863B 1025M
Work Instruction No.	201204100C	Date	Apr.16.2012



(3) Electric Chararistic	
Item	Specify
Center Freq.(Fo) +/- 0.5 %	1025 MHz
Insertion Loss	Typ. 2.5 dB
-3 dB Bandwidth	Typ. 120 MHz
Sensitivity (Attenuation)	Fo - ( 250 ) MHz Typ. 51 dBc
	Fo + ( 250 ) MHz Typ. 23 dBc
	Fo - ( ) MHz Typ. dBc
	Fo + ( ) MHz Typ. dBc
Return Loss	Min. 12 dB
Ripple	< 1 dB
Impedance	In / Out : 50 Ω
(4) Torque for Tuning Screw	> 60gf · cm
(5) Temperature Condition:	
Operating Temperature	0°C ~ +60°C
Storage Temperature	-20°C ~ +70°C
(6) Input Power	> 1Watt

(7) Measuring Circuit: ※Easy to match Impedance S11/S22 50Ω by parallel with about( -- )



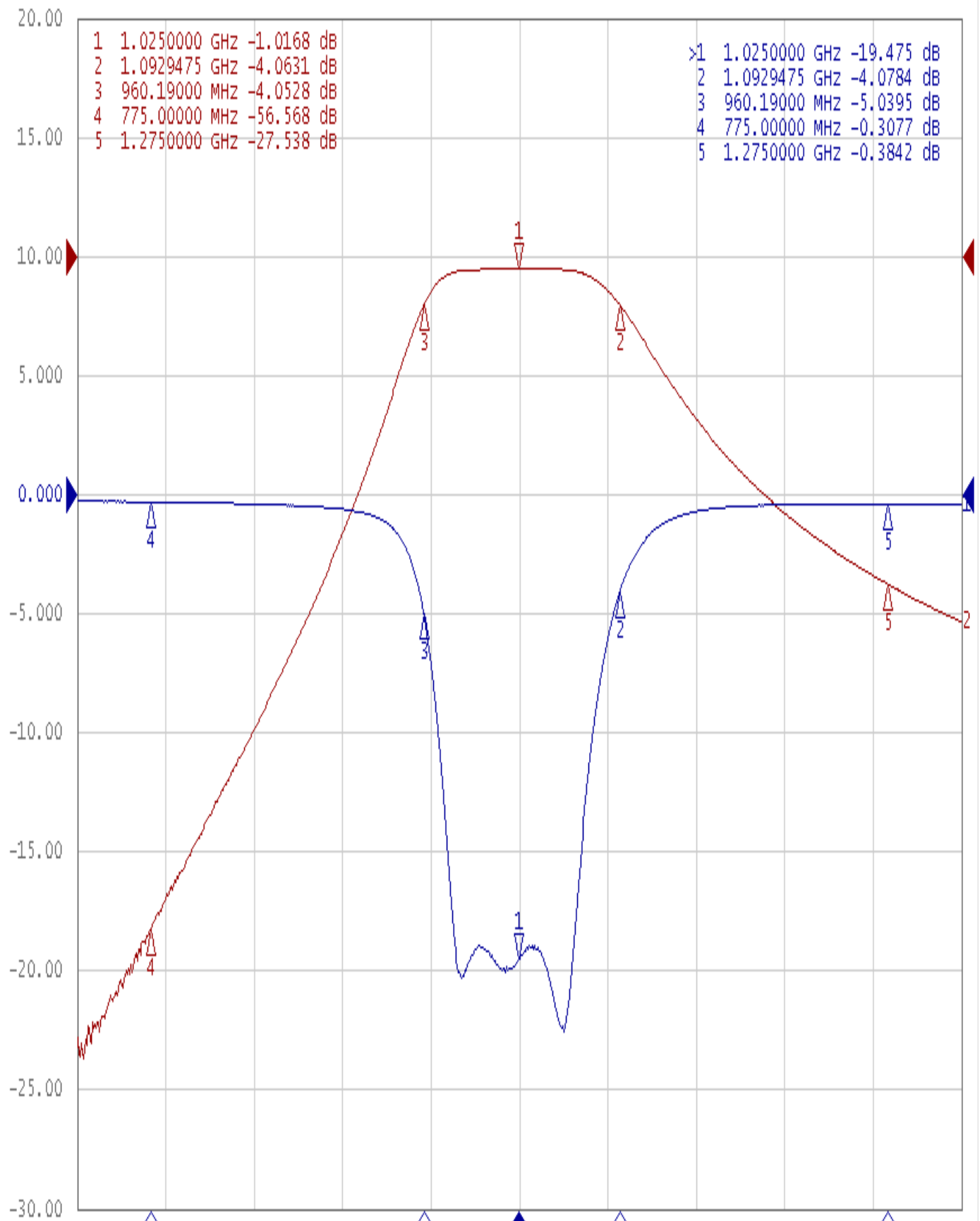
Approval	Supervisor	Designer	Aperture size
C.Y.Chang	C.K.Chang	Y.H.Yeh	7H3S(4*8.0)(8.03) 7H046RB6.5

TEMWELL CORPORATION

# Performance-TT67863B-1025M

## 201204100C

Tr1 S11 Log Mag 5.000dB/ Ref 0.000dB [F2]  
Tr2 S21 Log Mag 10.00dB/ Ref 0.000dB [F2]



1 Center 1.025 GHz

IFBW 70 kHz

Span 600 MHz Cor |