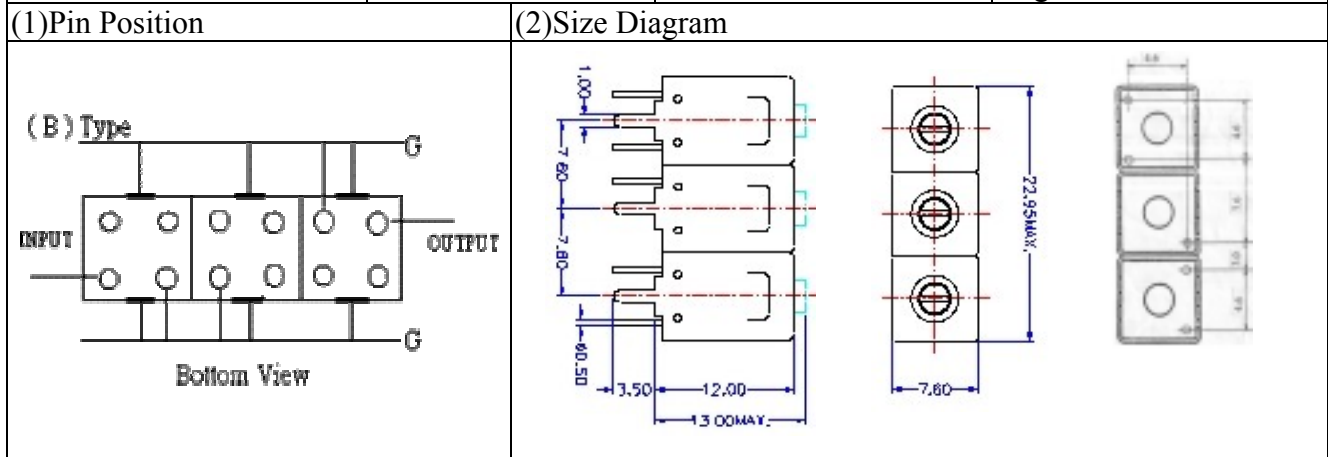
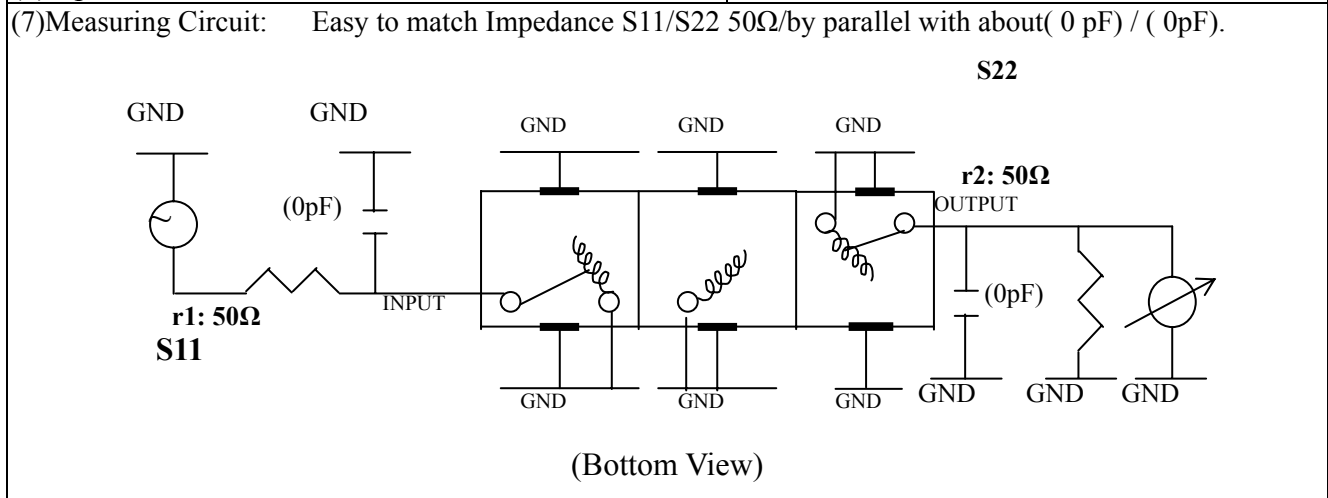


VHF UHF Helical Filter Specification Sheet

Customer Name		Temwell's Part No.	TT67870B-450M-100M
Approval No. /dated	0605110APR	Customer Print Name	
Work Instruction No.	0605110DC	Date	Aug.28.2006



(3)Electric Character	
Item	Specify
Center Freq.(Fo) +/- 0.5 %	450 MHz
Tunable Range	450±5 MHz
Insertion Loss	Typ. 1.5 dB
-3 dB Bandwidth	Typ. 100 MHz
Sensitivity (Attenuation)	Fo - 300 MHz Typ. 46 dBc
	Fo + 300 MHz Typ. 34 dBc
	Fo - ()MHz Typ. dBc
	Fo +()MHz Typ. dBc
Return Loss	Min. 12 dB
Ripple	< 1 dB
Impedance	In / Out : 50 Ω
(4)Torque for Tuning Screw > 60gf cm	
(5)Temperature Condition:	
Operating Temperature	0 ~ +60
Storage Temperature	-20 ~ +70
(6)Input Power > 1Watt	

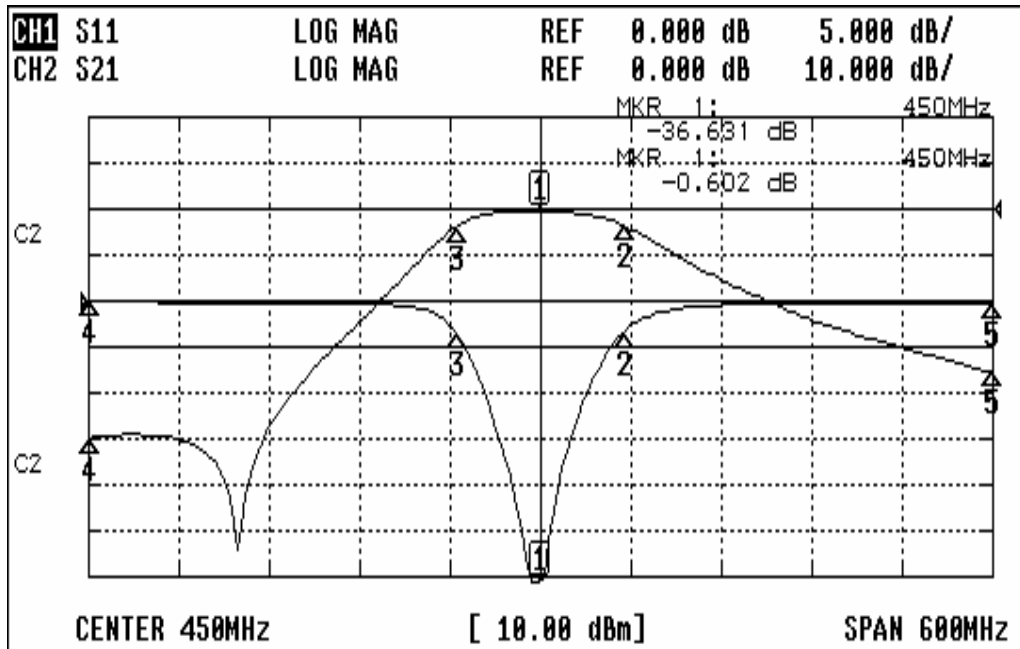


Approval	Supervisor	Designer	Aperture size
C.Y.Chang	C.S.Chang	W.W.Wang	7H3(4*8.0)(8.04)F 7H046RB6.5

TEMWELL CORPORATION

Performance-TT67870B-450M-100M

0605110DC



CH1 MARKER LIST

1:	450.000MHz	-36.631 dB
2:	505.500MHz	-0.431 dB
3:	395.000MHz	-3.568 dB
4:	150.000MHz	-0.122 dB
5:	750.000MHz	-0.329 dB

CH2 MARKER LIST

1:	450.000MHz	-0.602 dB
2:	505.500MHz	-3.673 dB
3:	395.000MHz	-3.615 dB
4:	150.000MHz	-49.769 dB
5:	750.000MHz	-35.514 dB