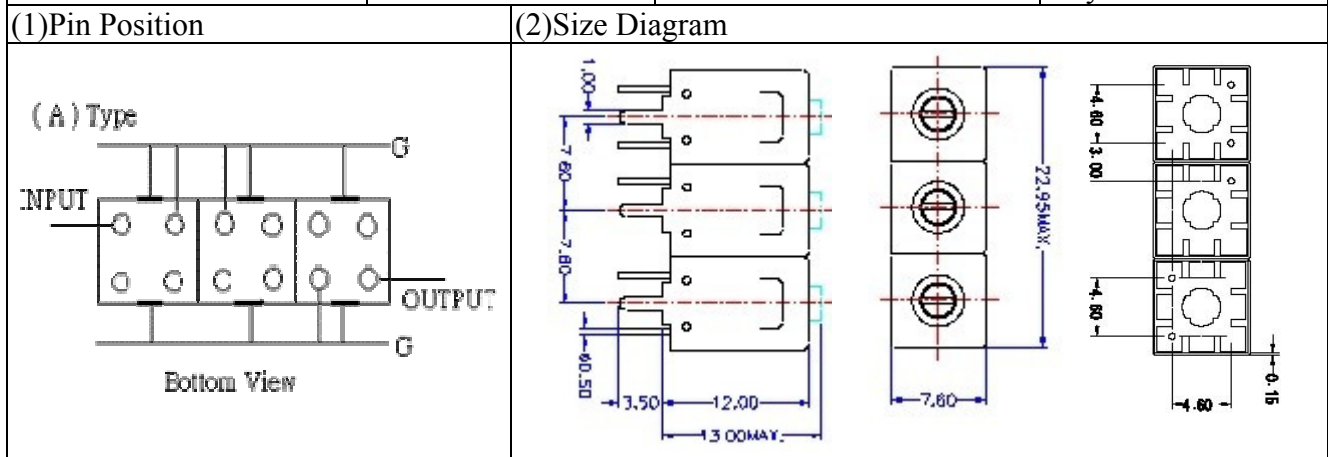


# VHF UHF Helical Filter Specification Sheet

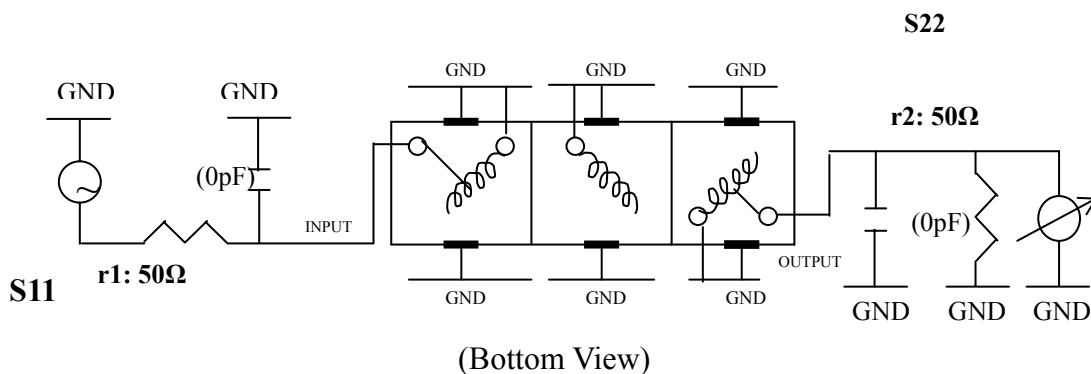
Customer Name		Temwell's Part No.	TT6817A-850M
Approval No. /dated		Customer's Print Name.	6817A 850M
Work Instruction No.	201205064B	Date	May.22.2012



### (3) Electric Characteristic

Item	Specify	
Center Freq.(Fo) +/- 0.5 %	850	MHz
Insertion Loss	Typ. 7.0	dB
-3 dB Bandwidth	Typ. 4	MHz
Sensitivity (Attenuation)	Fo - 30 MHz	Typ. 46 dBc
	Fo + 30 MHz	Typ. 38 dBc
	Fo - ( )MHz	Typ. dBc
	Fo +( )MHz	Typ. dBc
Return Loss	Min. 12	dB
Ripple	< 1	dB
Impedance	In / Out : 50 Ω	
(4) Torque for Tuning Screw	> 100gf · cm	
(5) Temperature Condition:		
Operating Temperature	0°C ~ +60°C	
Storage Temperature	-20°C ~ +70°C	
(6) Input Power	> 1Watt	

### (7) Measuring Circuit: ※Easy to match Impedance S11/S22 50Ω by parallel with about( ) .



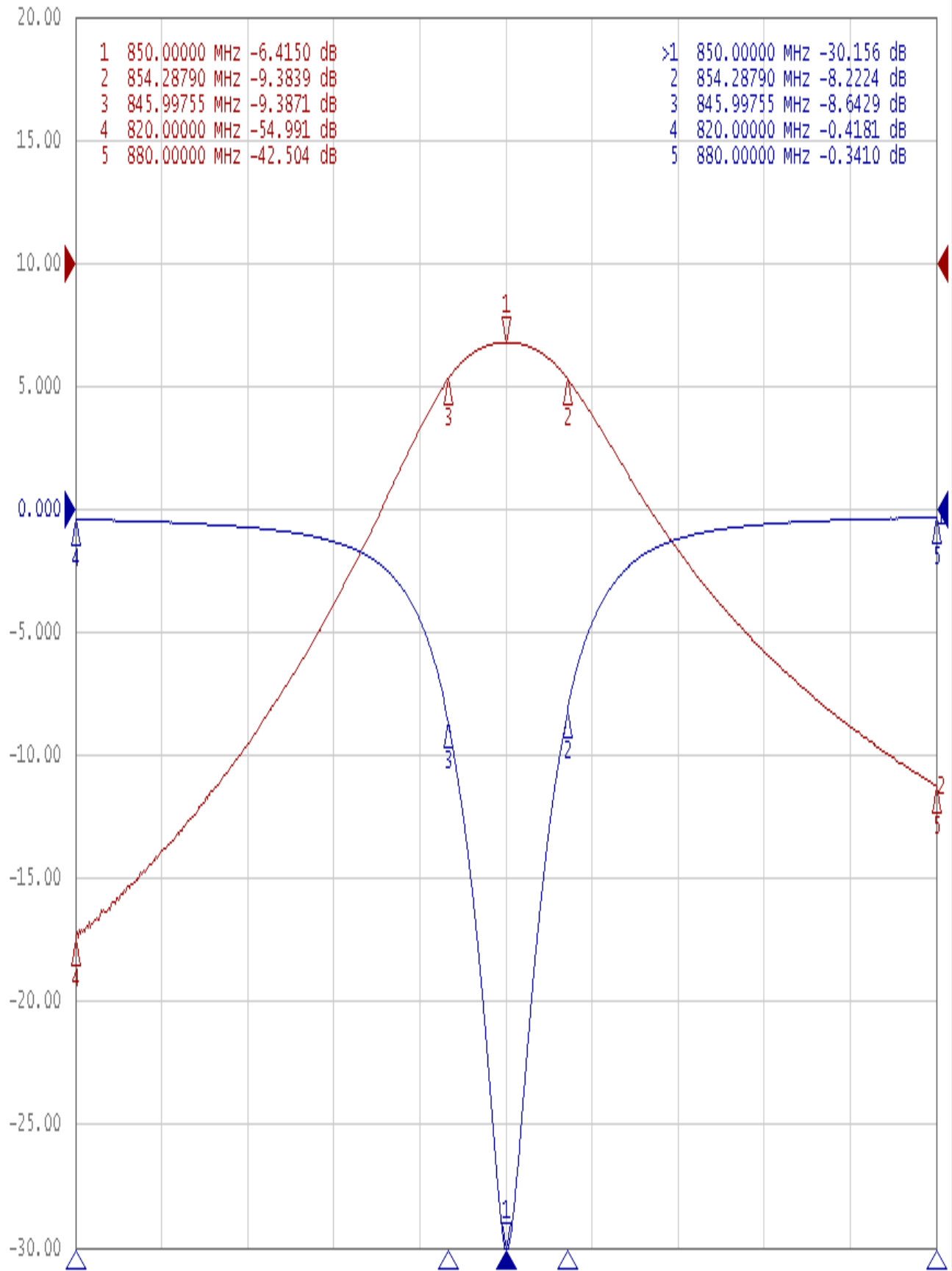
Approval C.Y.Chang	Supervisor C.K.Chang	Designer C.H.Yeh	Aperture size 7H3S(4*4.5)(4.58) 7H046LB4.3 聚 3
-----------------------	-------------------------	---------------------	--

TEMWELL CORPORATION

# Performance-TT6817A-850M

## 201205064B

Tr1 S11 Log Mag 5.000dB/ Ref 0.000dB [F2]  
Tr2 S21 Log Mag 10.00dB/ Ref 0.000dB [F2]



Center 850 MHz

IFBW 70 kHz

Span 60 MHz Cor